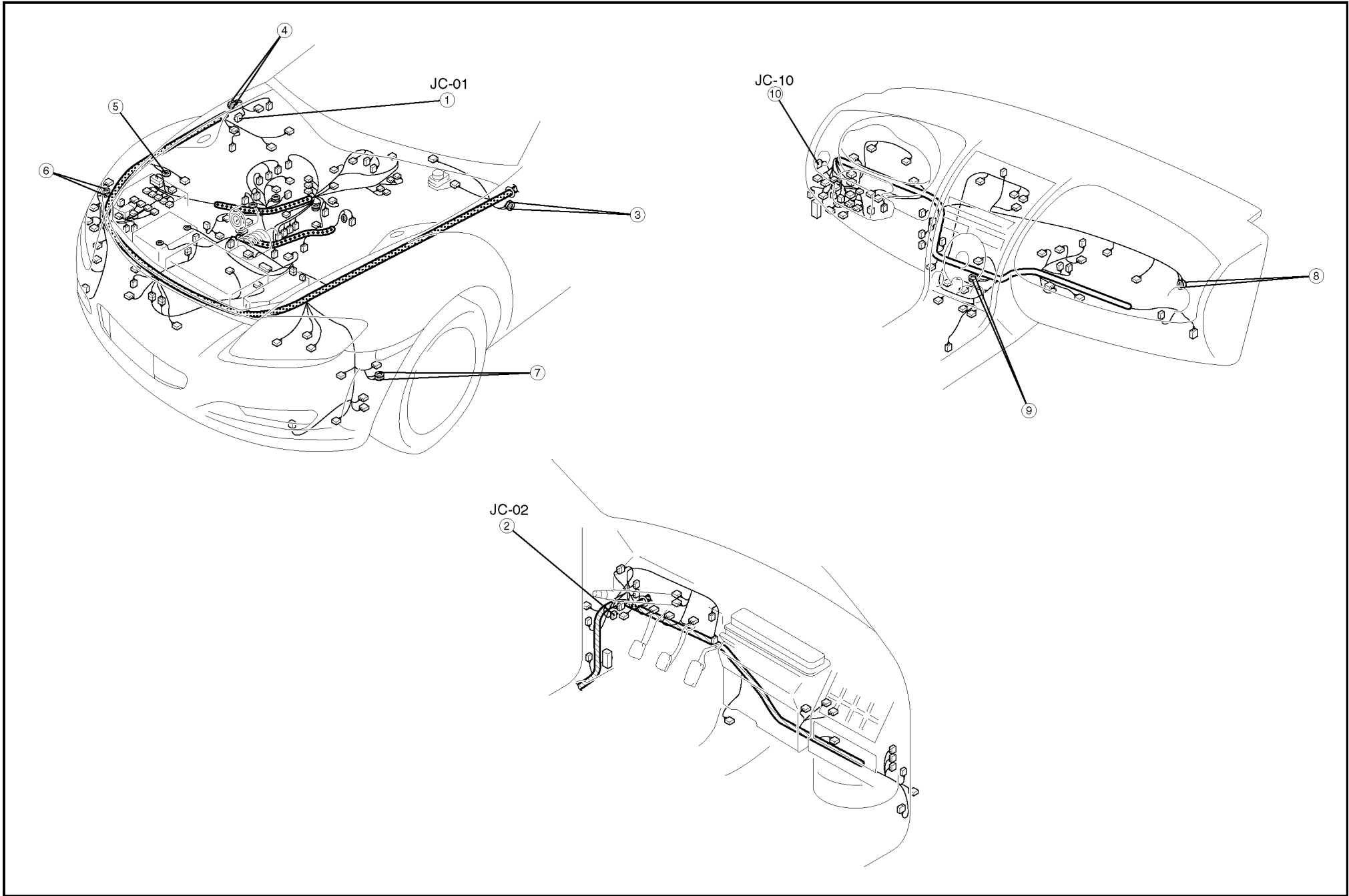
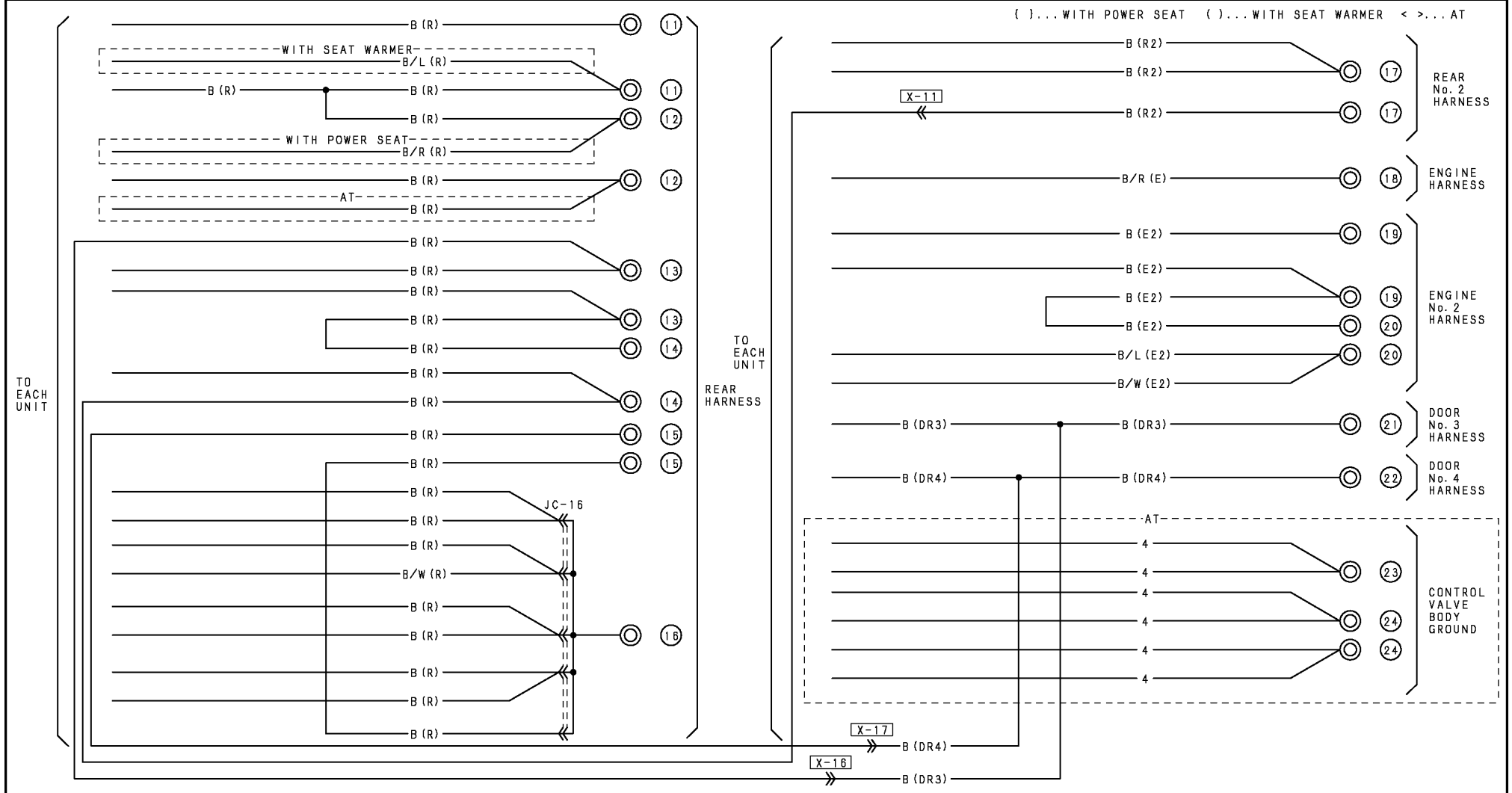
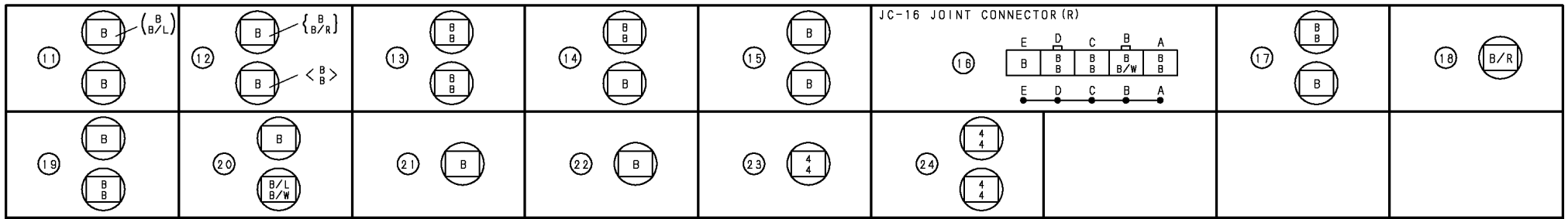
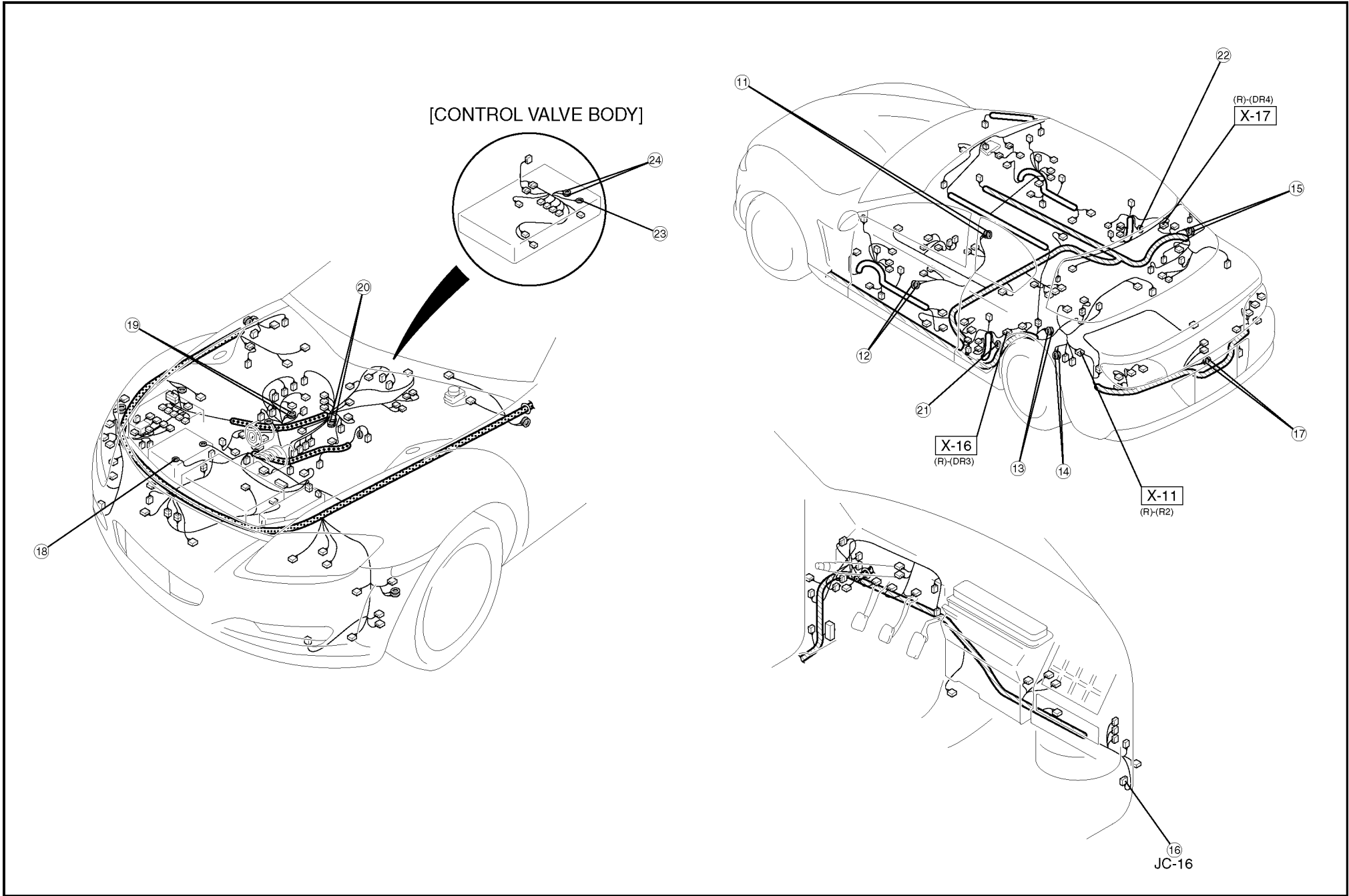


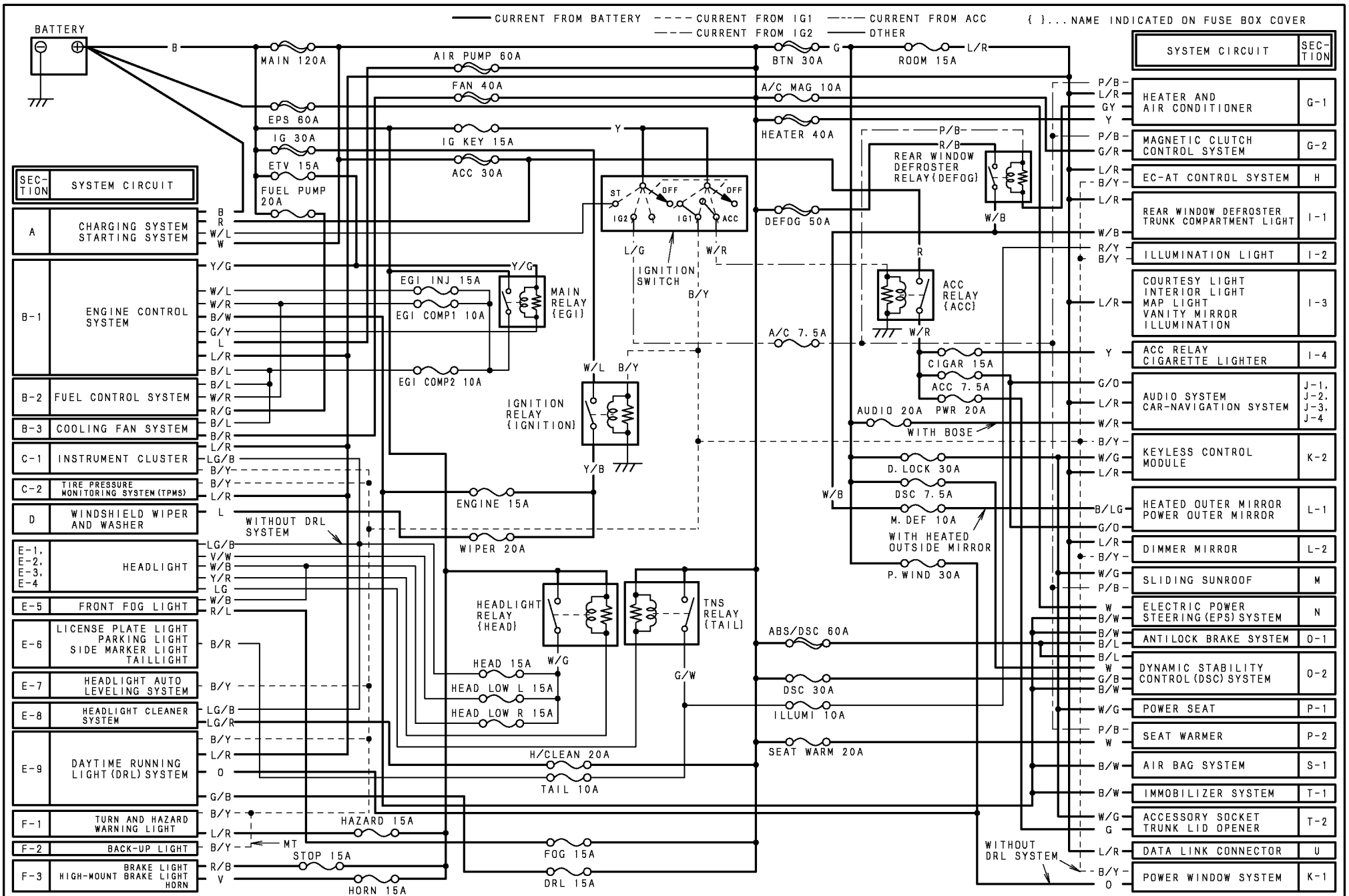
HARNESS SYMBOL:  (F)  (E)  (R)

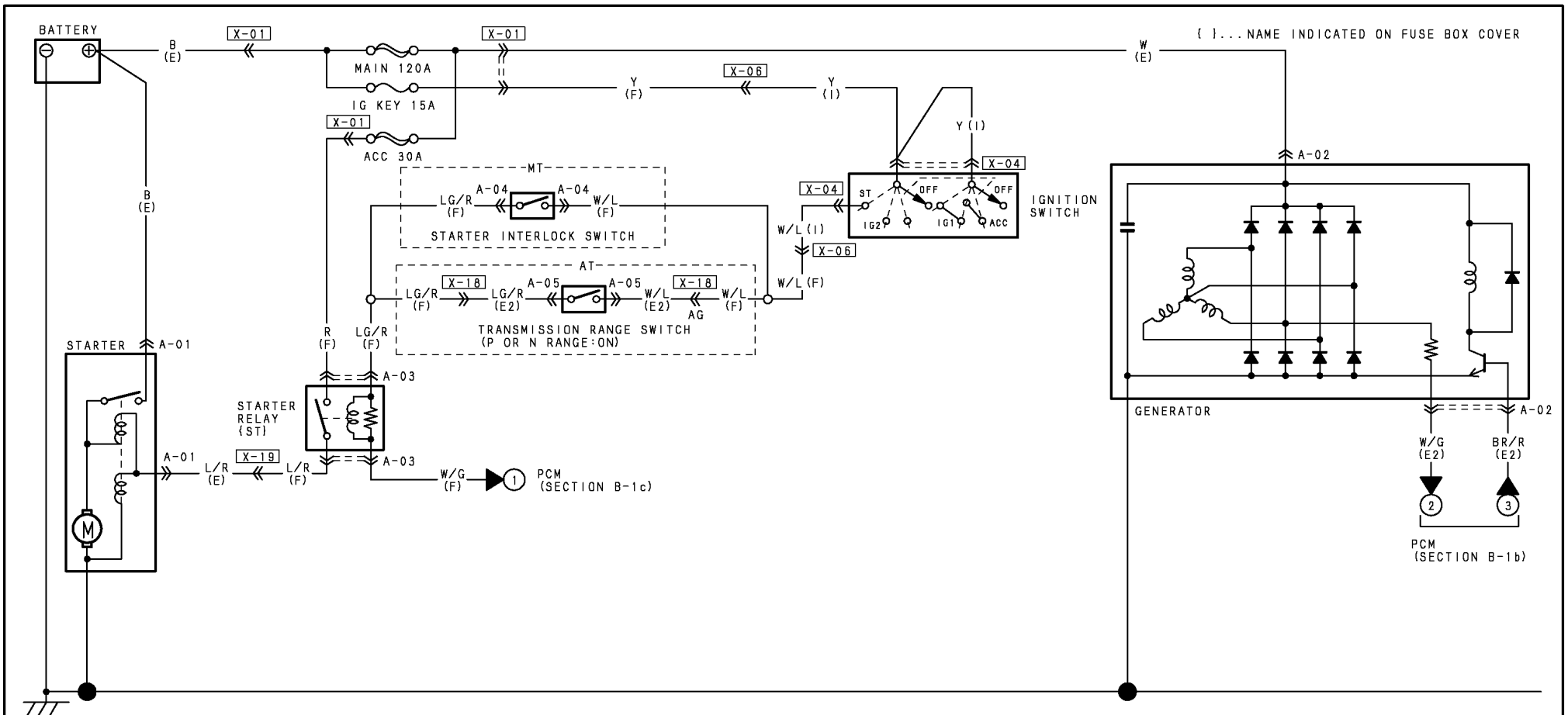


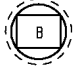


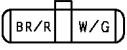
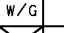
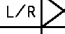

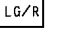
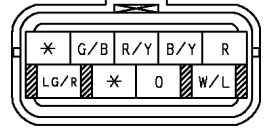
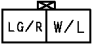



HARNESS SYMBOL:  (F)  (E)  (R)







<p>A-01 STARTER (E)</p>  	<p>A-02 GENERATOR (E)</p>  	<p>A-03 STARTER RELAY (ST) (F)</p>     <p style="text-align: center;">FRONT</p> <p style="text-align: center;">NOTE: THIS IS THE CONNECTOR AS SEEN FROM THE TERMINAL SIDE.</p>	<p>A-05 TRANSMISSION RANGE SWITCH (E2)</p> 
<p>A-04 STARTER INTERLOCK SWITCH (F)</p> 			

HARNESS SYMBOL:  (F)  (E)  (R)

GENERATOR
Generates power to keep battery fully charged and to operate vehicle's electrical system. Output is variable and depends on speed at which generator rotor spins, as well as amount of current passing through rotor winding.

TRANSMISSION RANGE SWITCH
Detects selector lever position.

TRANSMISSION RANGE SWITCH
A-05

STARTER
A-01

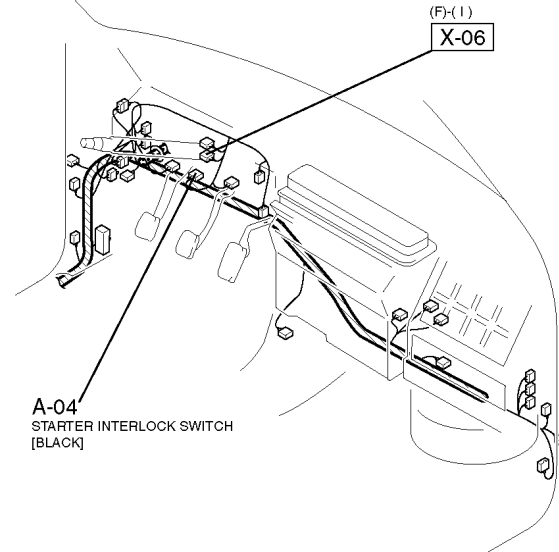
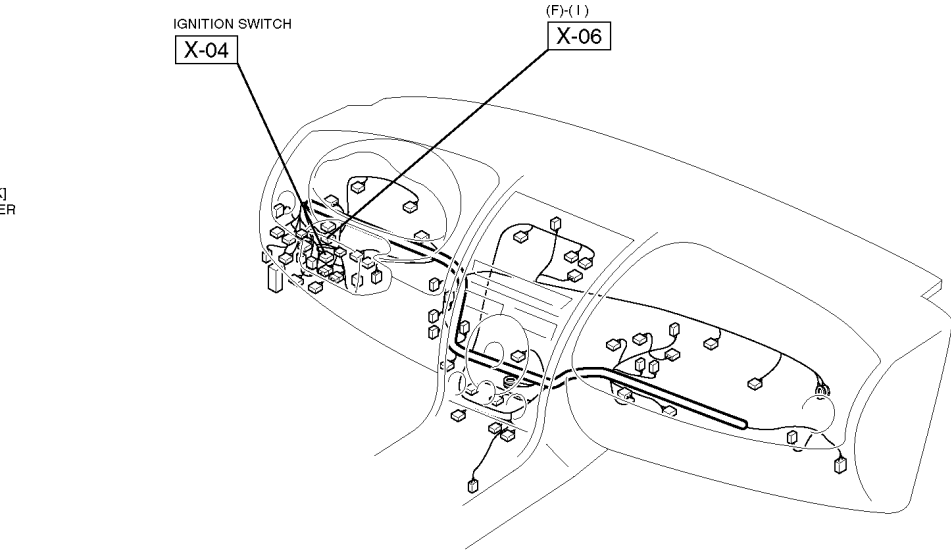
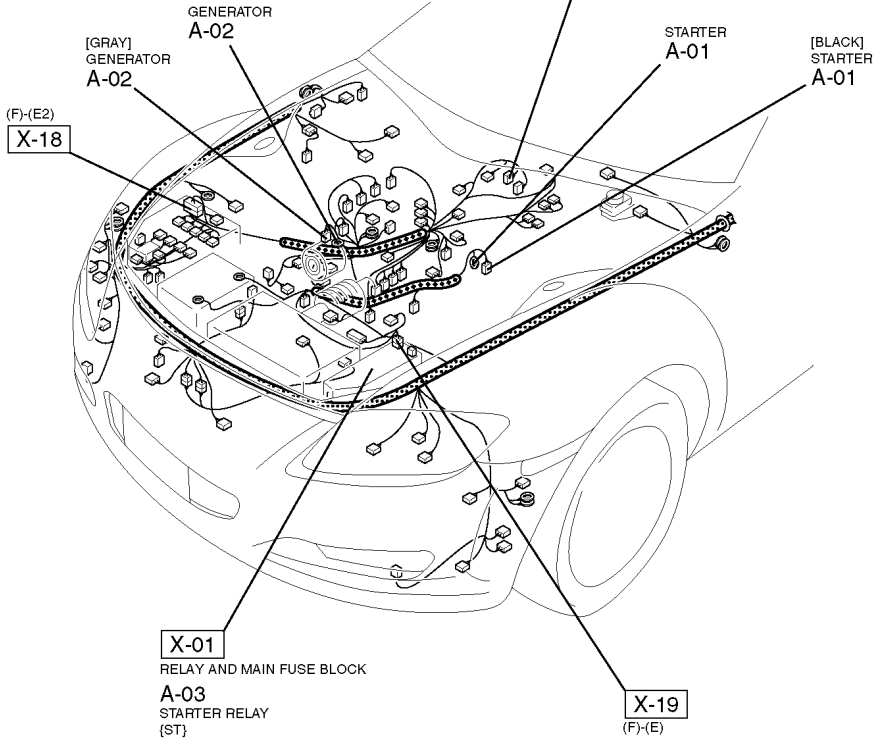
[BLACK]
STARTER
A-01

IGNITION SWITCH

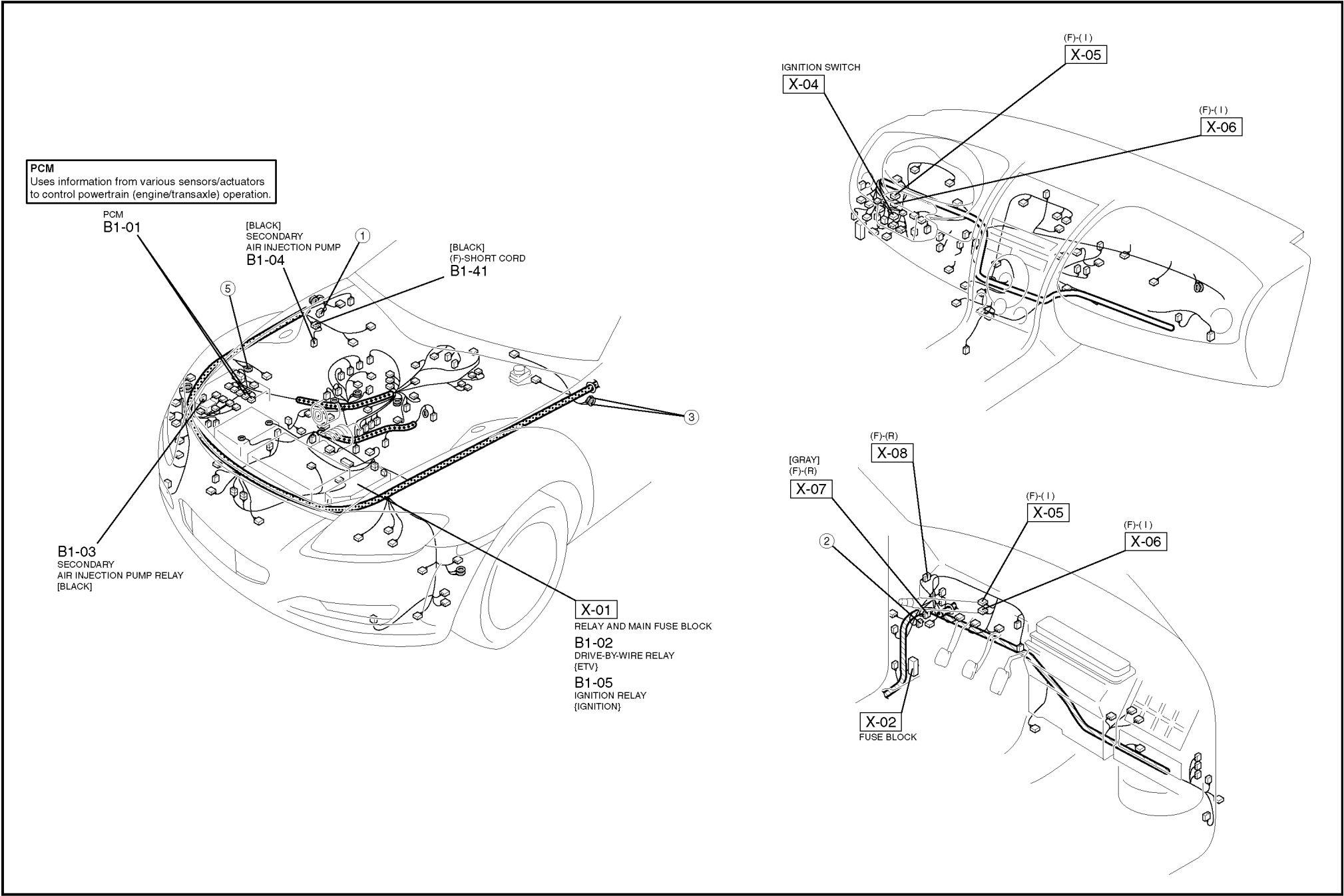
X-04

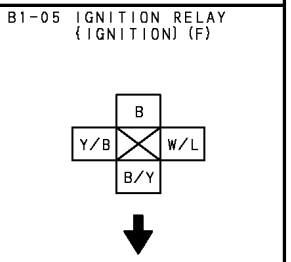
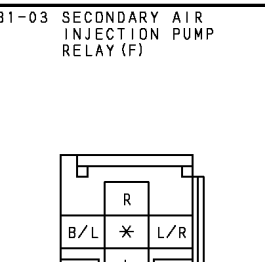
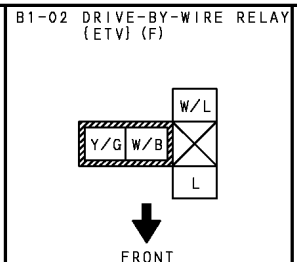
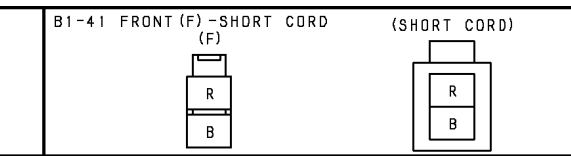
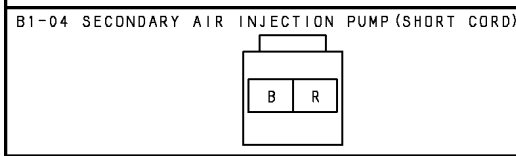
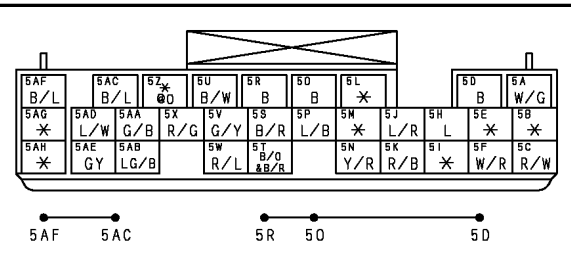
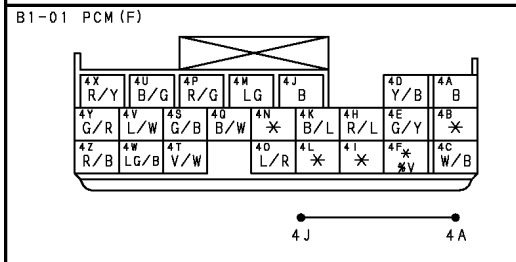
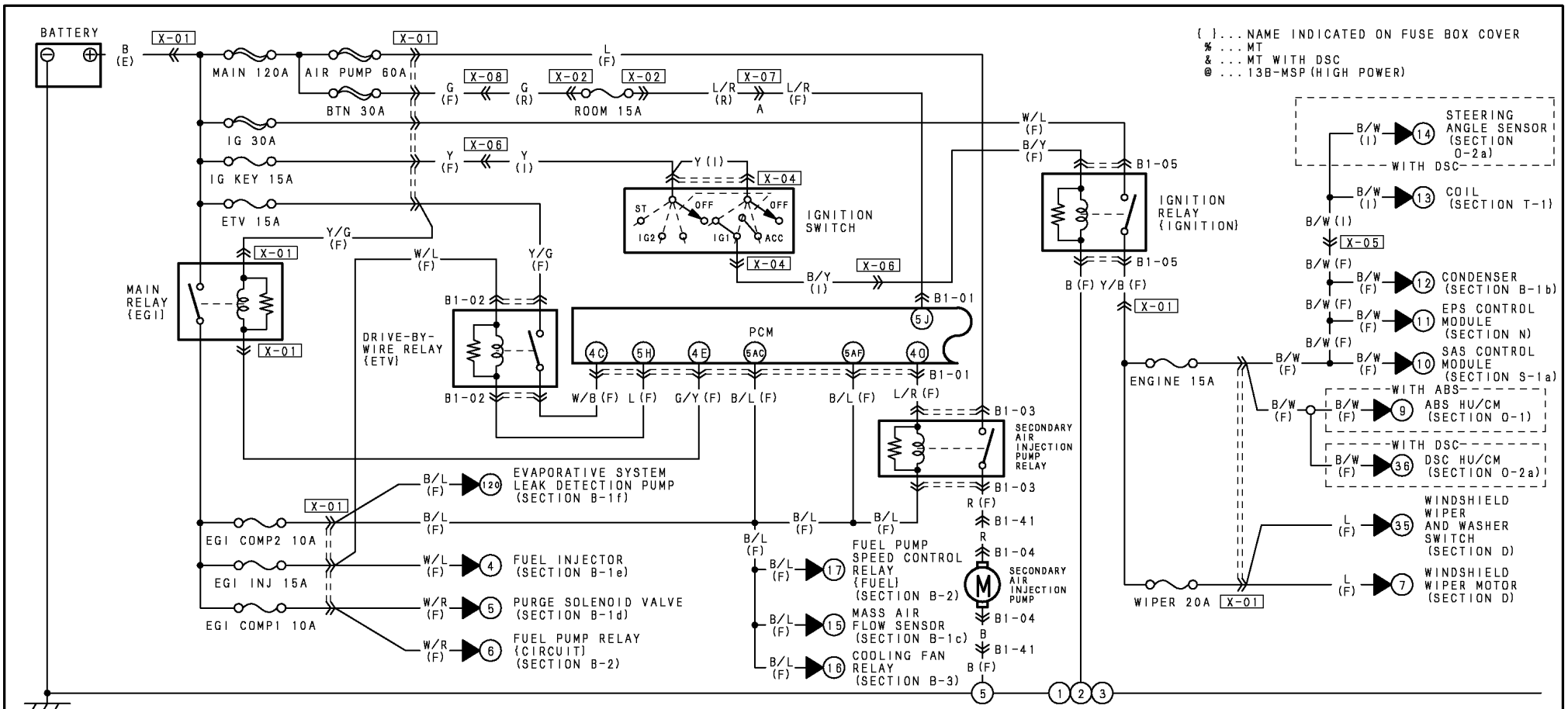
(F)-(1)

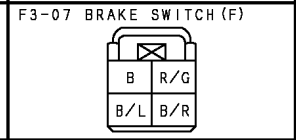
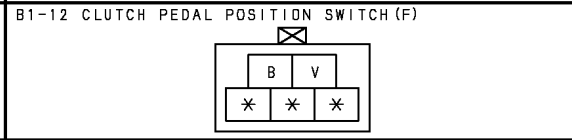
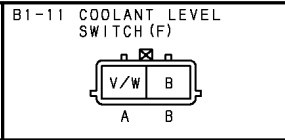
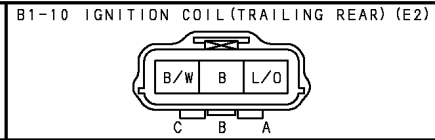
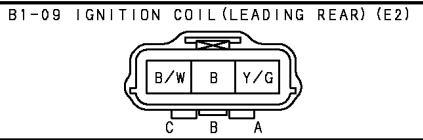
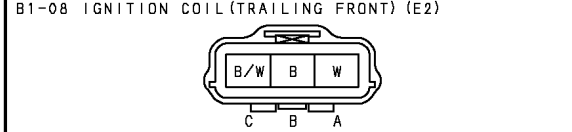
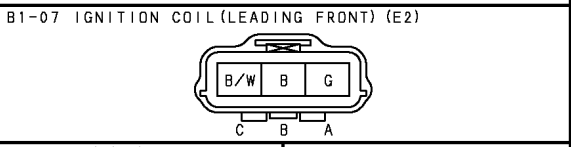
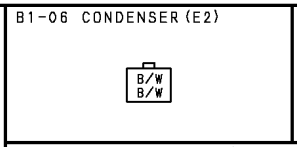
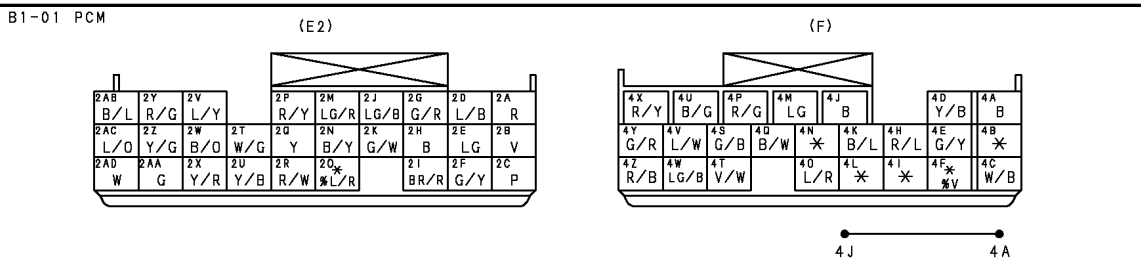
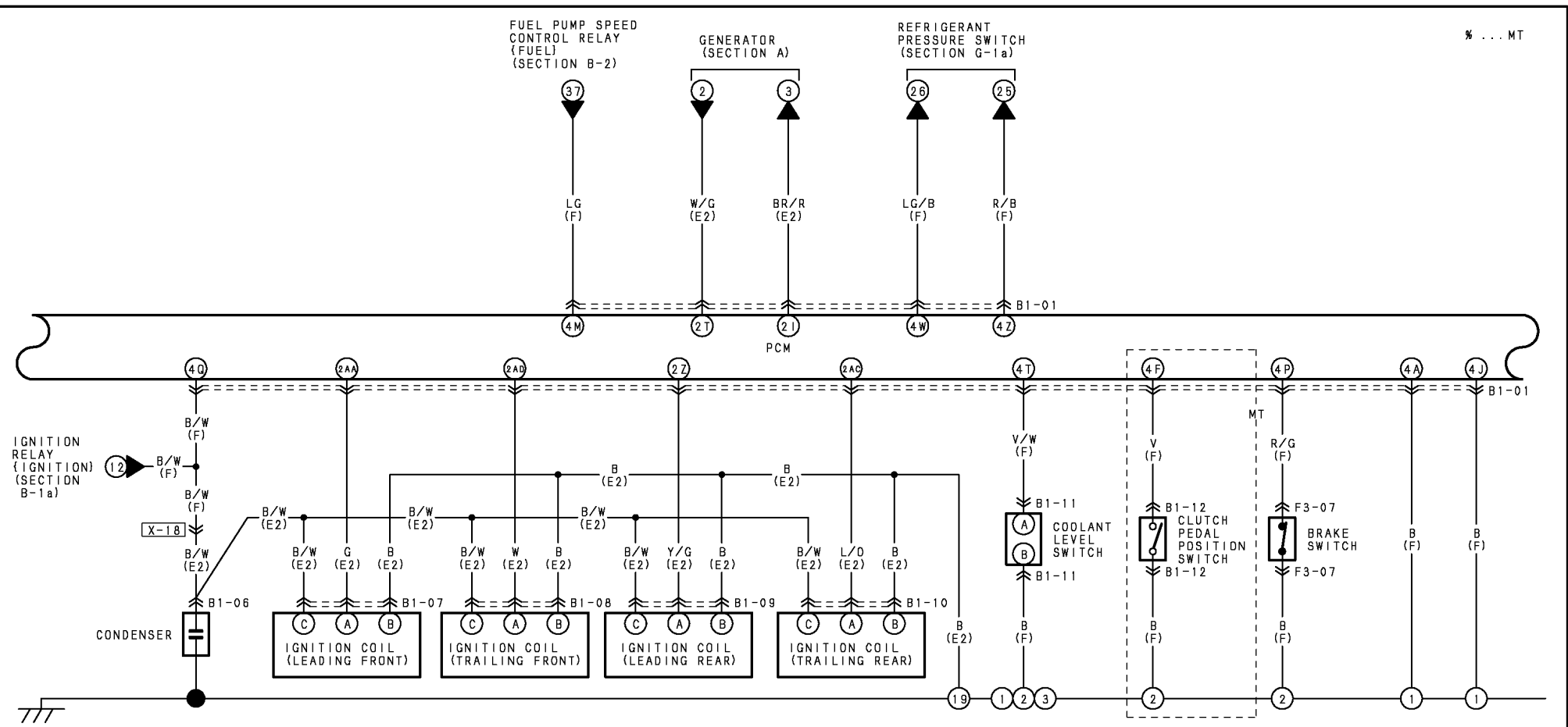
X-06



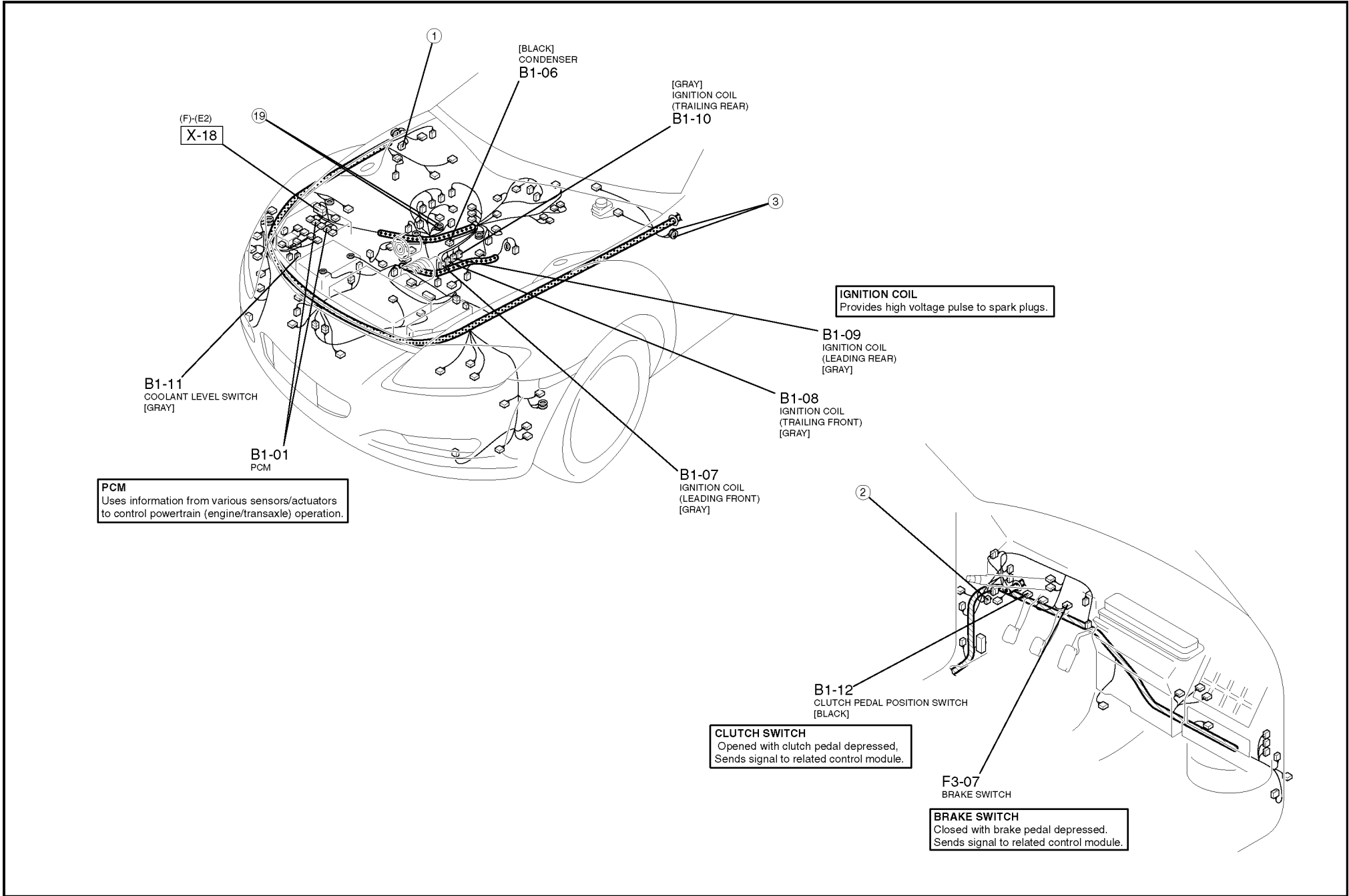
HARNESS SYMBOL:  (F)  (E)  (R)

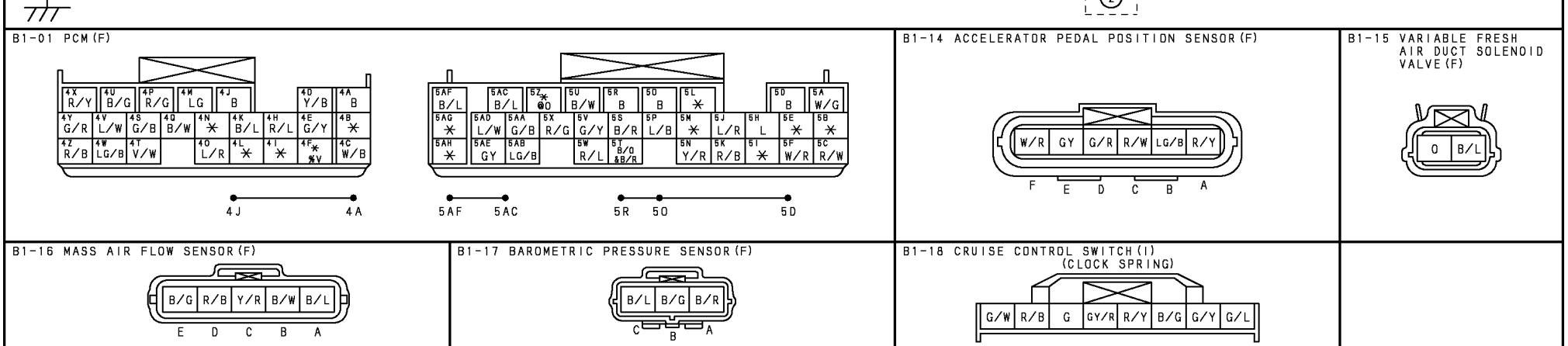
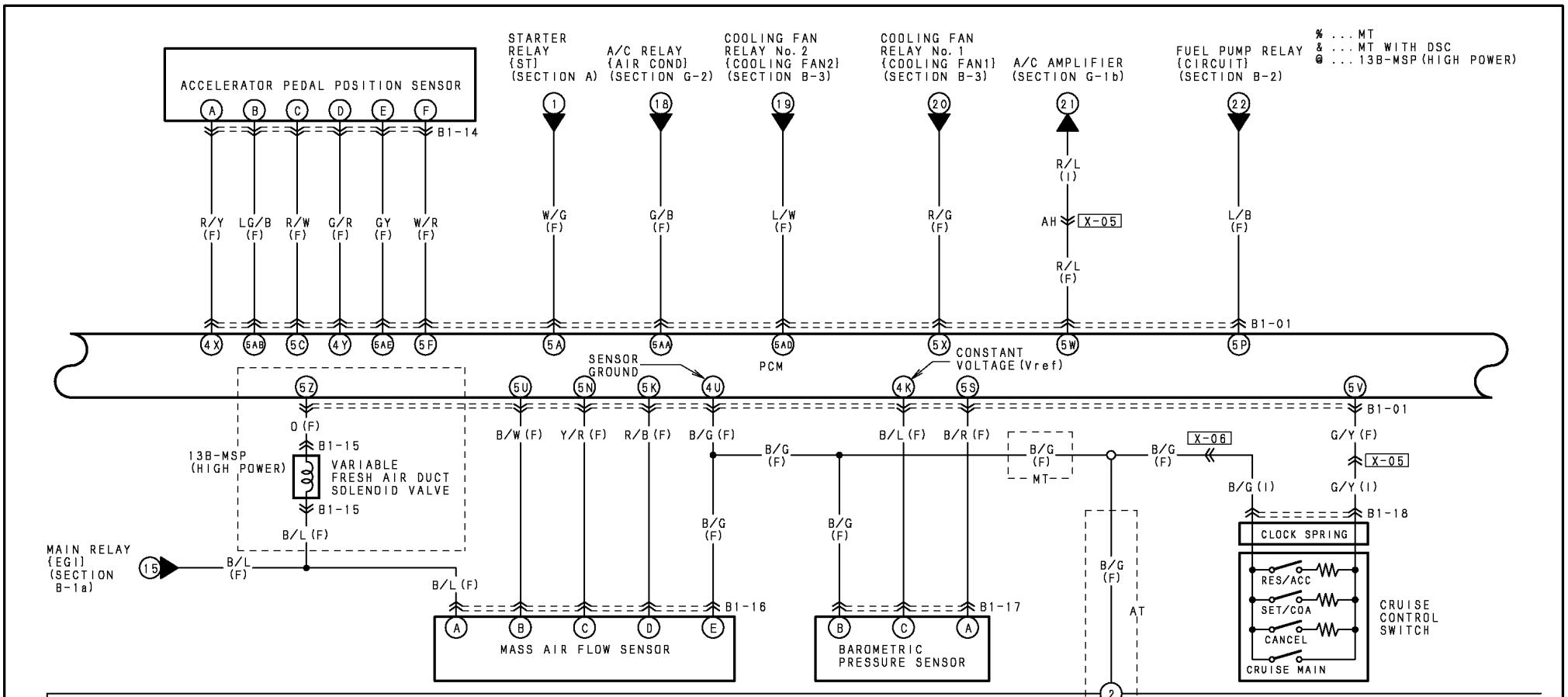




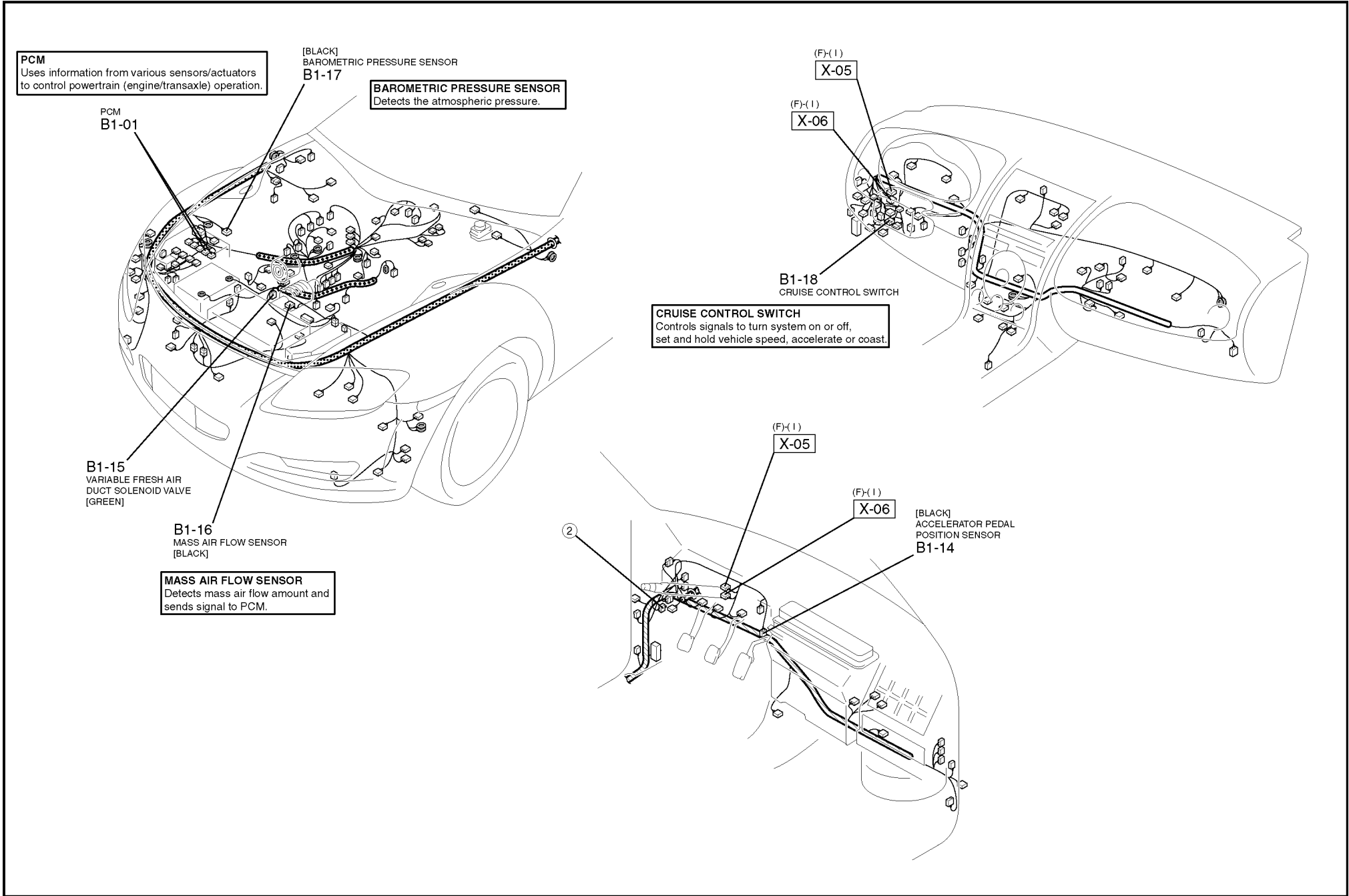


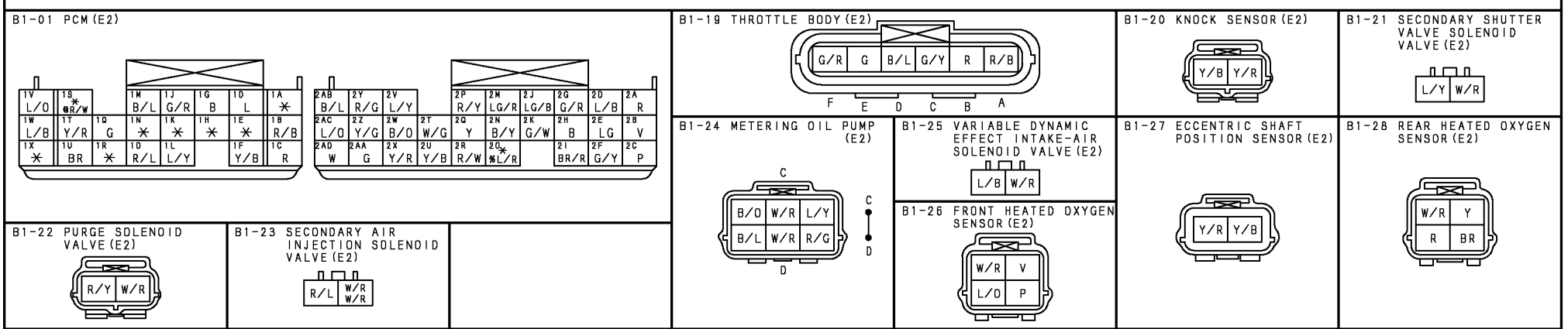
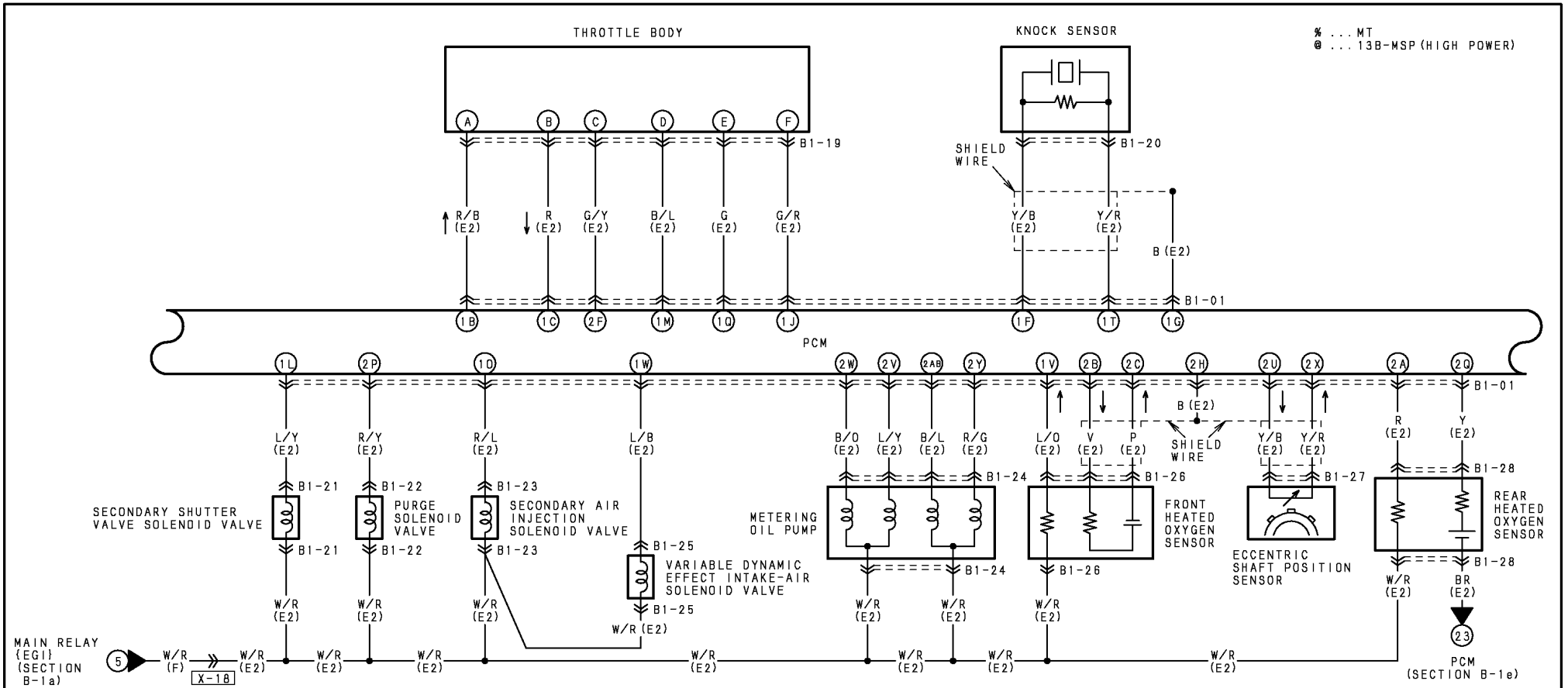
HARNESS SYMBOL:  (F)  (E)  (R)

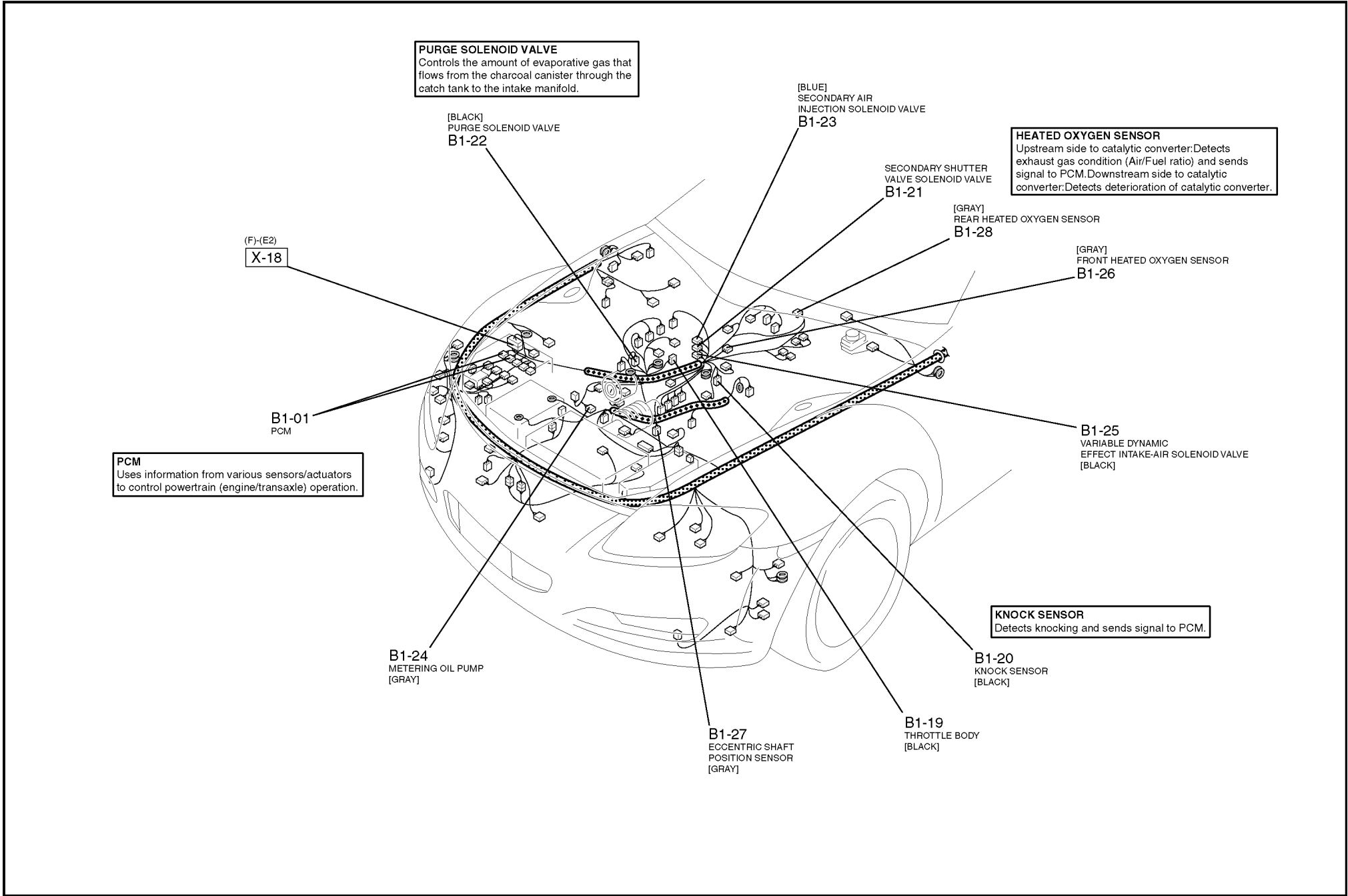




HARNESS SYMBOL:  (F)  (E)  (R)







PURGE SOLENOID VALVE
Controls the amount of evaporative gas that flows from the charcoal canister through the catch tank to the intake manifold.

[BLUE]
SECONDARY AIR INJECTION SOLENOID VALVE
B1-23

HEATED OXYGEN SENSOR
Upstream side to catalytic converter: Detects exhaust gas condition (Air/Fuel ratio) and sends signal to PCM. Downstream side to catalytic converter: Detects deterioration of catalytic converter.

[BLACK]
PURGE SOLENOID VALVE
B1-22

SECONDARY SHUTTER VALVE SOLENOID VALVE
B1-21

(F)-(E2)
X-18

[GRAY]
REAR HEATED OXYGEN SENSOR
B1-28

[GRAY]
FRONT HEATED OXYGEN SENSOR
B1-26

B1-01
PCM

PCM
Uses information from various sensors/actuators to control powertrain (engine/transaxle) operation.

B1-25
VARIABLE DYNAMIC EFFECT INTAKE-AIR SOLENOID VALVE
[BLACK]

KNOCK SENSOR
Detects knocking and sends signal to PCM.

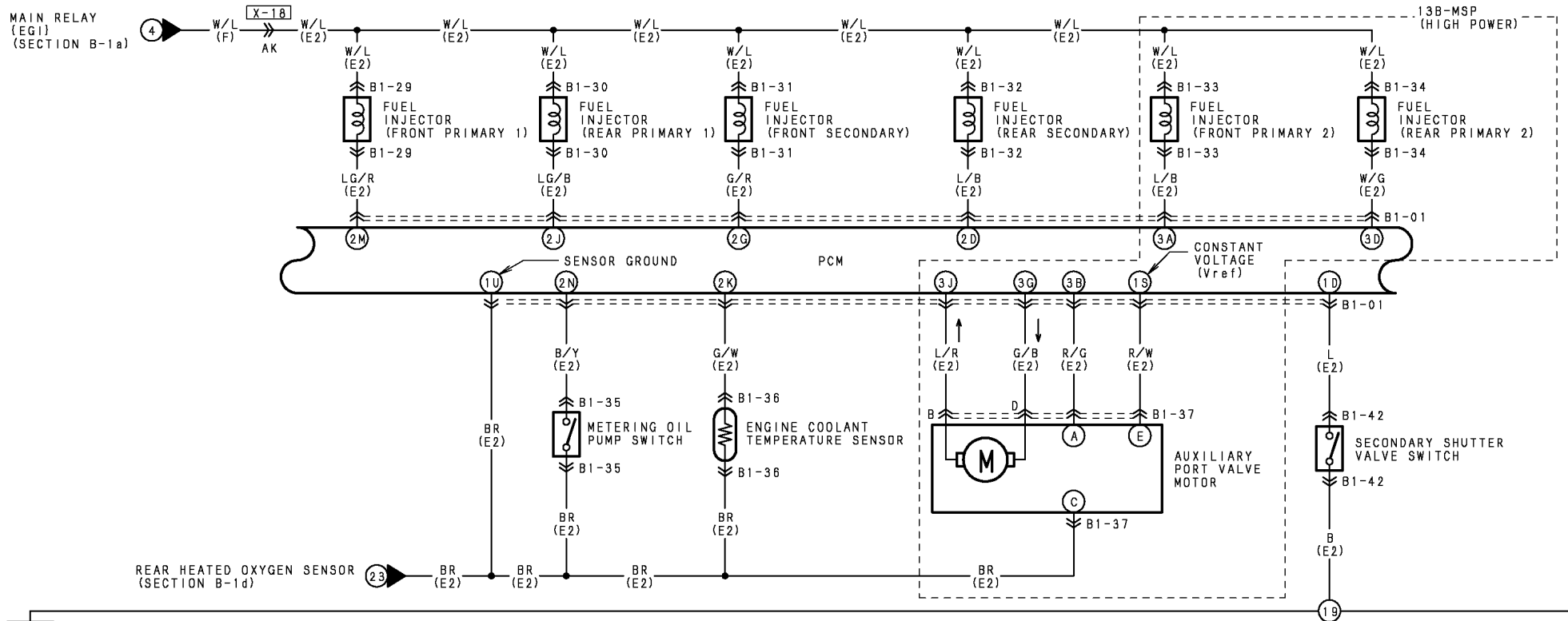
B1-24
METERING OIL PUMP
[GRAY]

B1-20
KNOCK SENSOR
[BLACK]



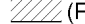
B1-27
ECCENTRIC SHAFT POSITION SENSOR
[GRAY]

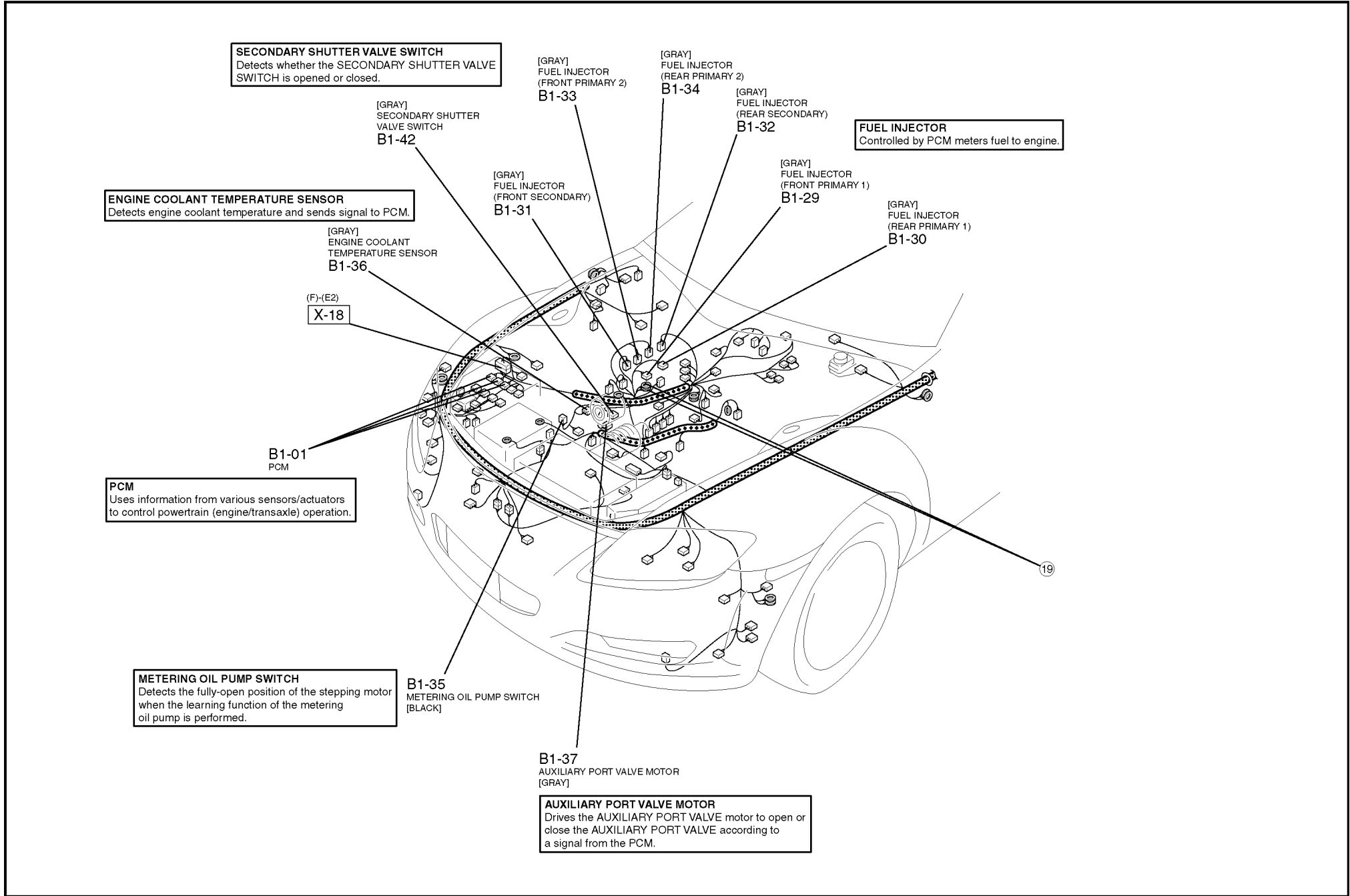
B1-19
THROTTLE BODY
[BLACK]

% ... MT
 @ ... 13B-MSP (HIGH POWER)

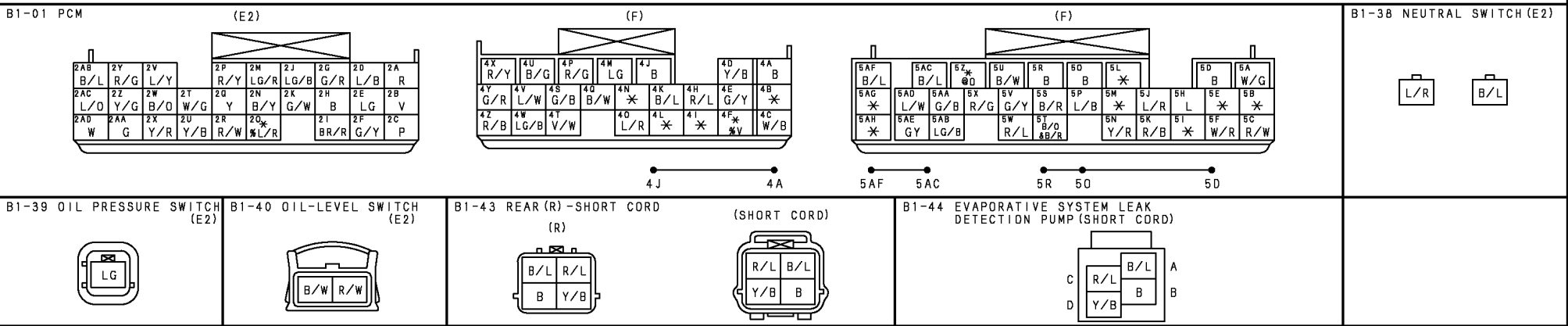
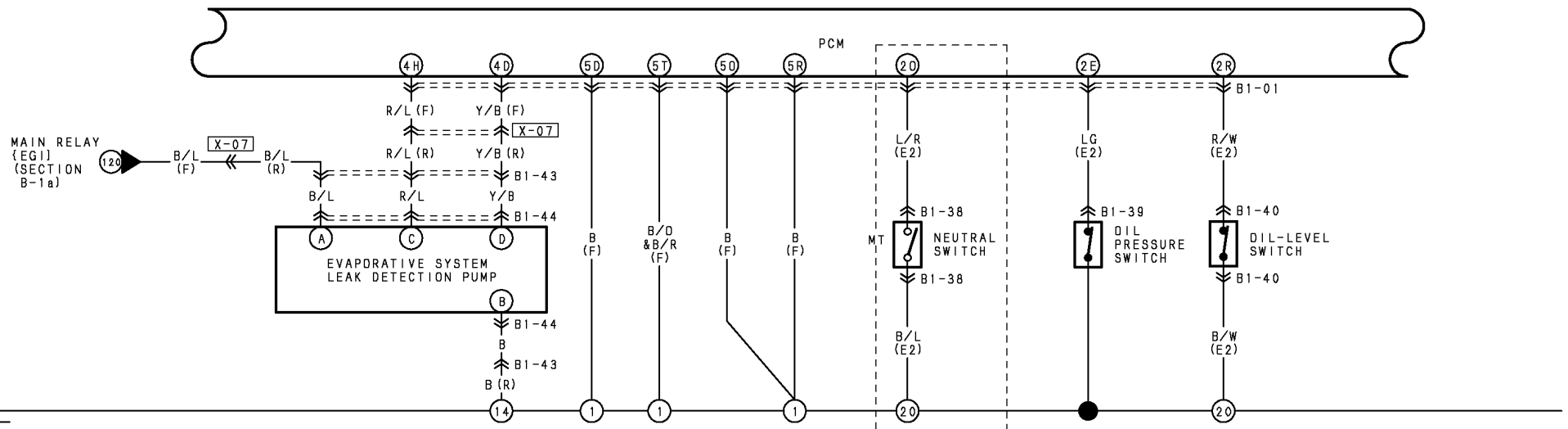




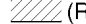
<p>B1-01 PCM (E2)</p>	<p>B1-29 FUEL INJECTOR (FRONT PRIMARY 1) (E2)</p>	<p>B1-30 FUEL INJECTOR (REAR PRIMARY 1) (E2)</p>	<p>B1-31 FUEL INJECTOR (FRONT SECONDARY) (E2)</p>	<p>B1-32 FUEL INJECTOR (REAR SECONDARY) (E2)</p>	<p>B1-33 FUEL INJECTOR (FRONT PRIMARY 2) (E2)</p>	<p>B1-37 AUXILIARY PORT VALVE MOTOR (E2)</p>	
<p>B1-34 FUEL INJECTOR (REAR PRIMARY 2) (E2)</p>	<p>B1-35 METERING OIL PUMP SWITCH (E2)</p>	<p>B1-36 ENGINE COOLANT TEMPERATURE SENSOR (E2)</p>	<p>B1-42 SECONDARY SHUTTER VALVE SWITCH (E2)</p>				

HARNESS SYMBOL:  (F)  (E)  (R)



% ... MT
 & ... MT WITH DSC
 @ ... 13B-MSP (HIGH POWER)

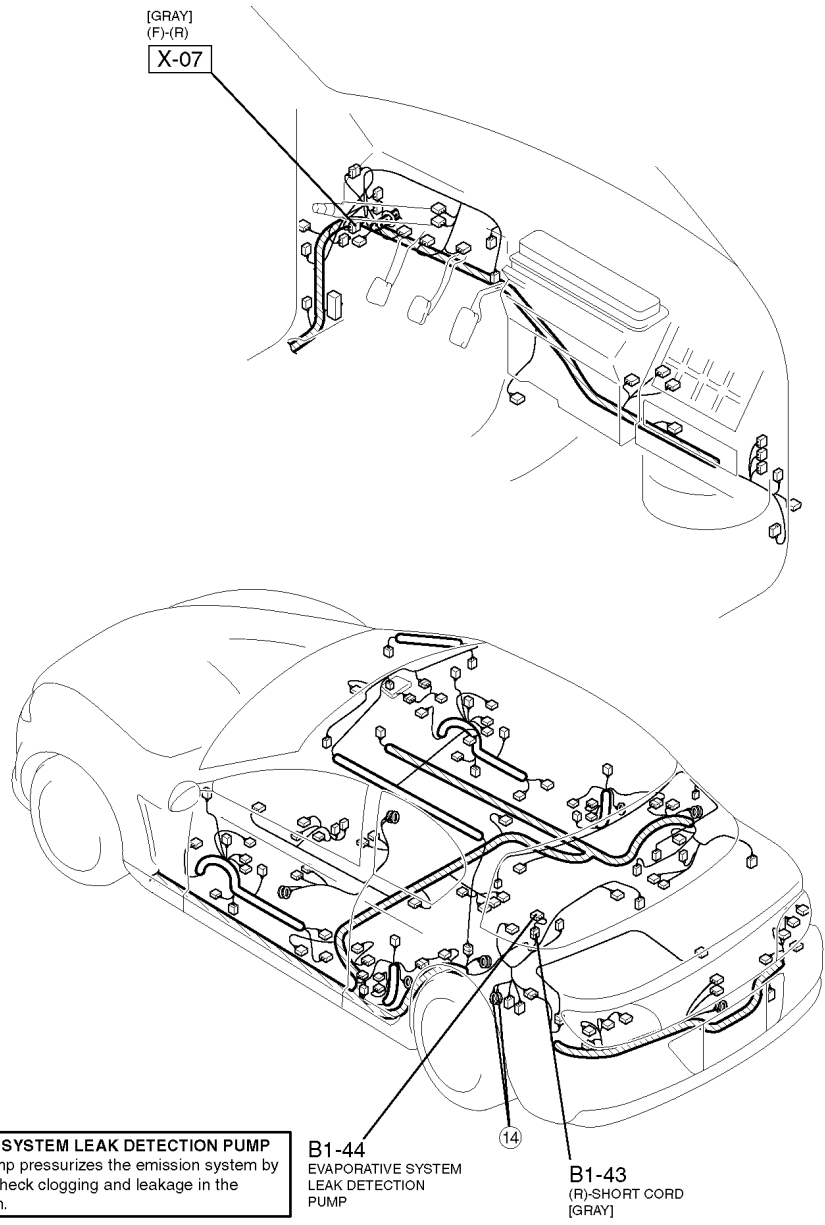
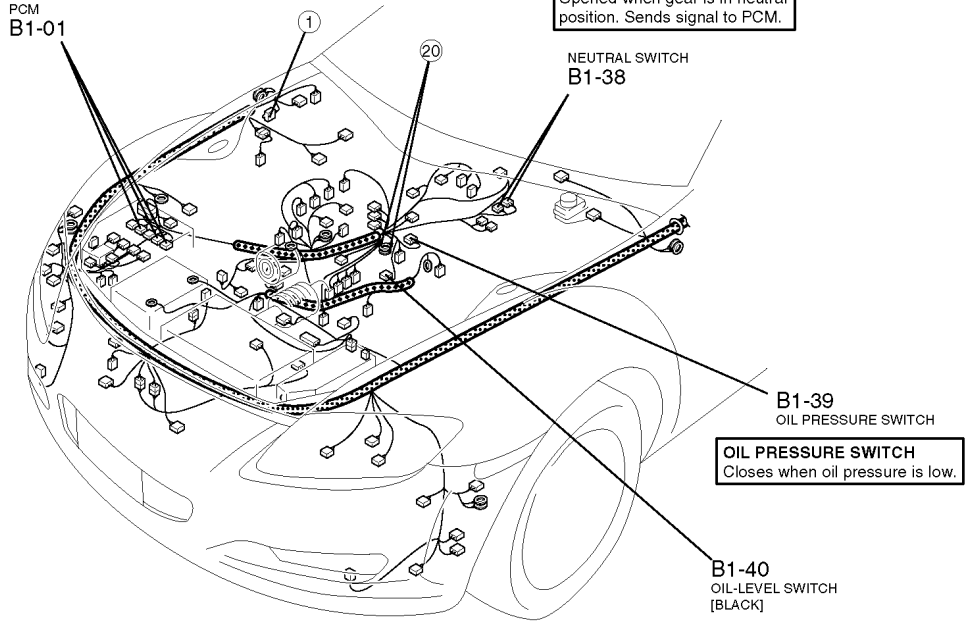


HARNESS SYMBOL:  (F)  (E)  (R)

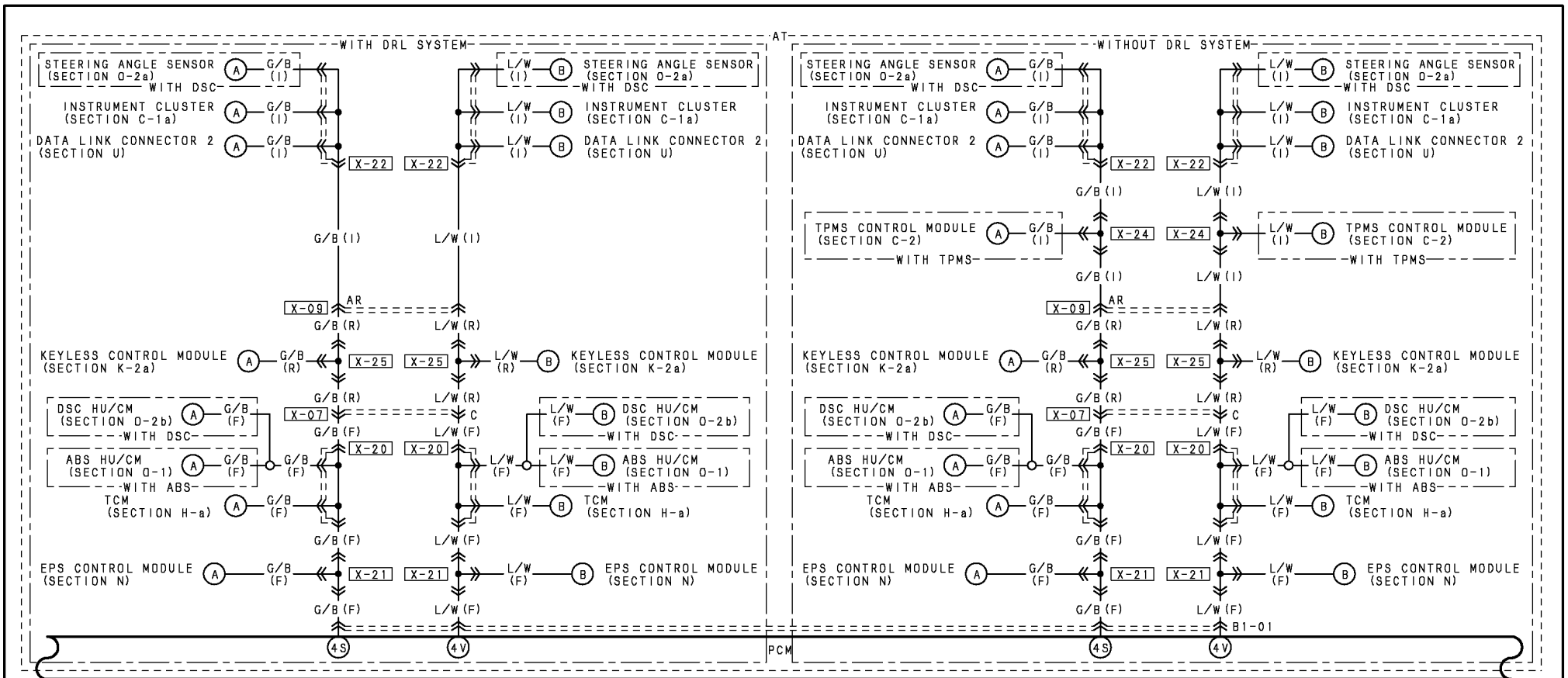
PCM
Uses information from various sensors/actuators to control powertrain (engine/transaxle) operation.

NEUTRAL SWITCH
Opened when gear is in neutral position. Sends signal to PCM.

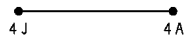
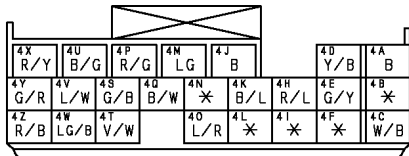
[GRAY]
(F)-(R)
X-07



EVAPORATIVE SYSTEM LEAK DETECTION PUMP
The internal pump pressurizes the emission system by pumping air to check clogging and leakage in the emission system.

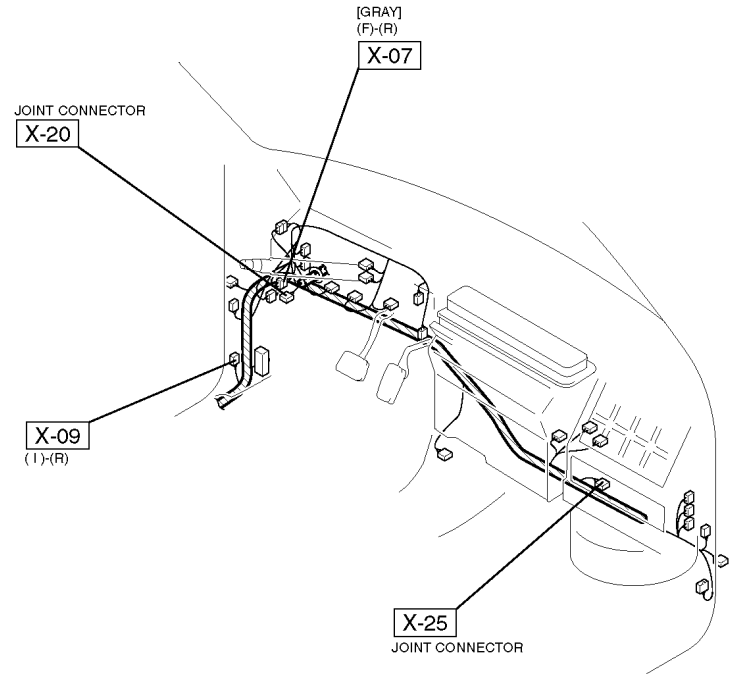
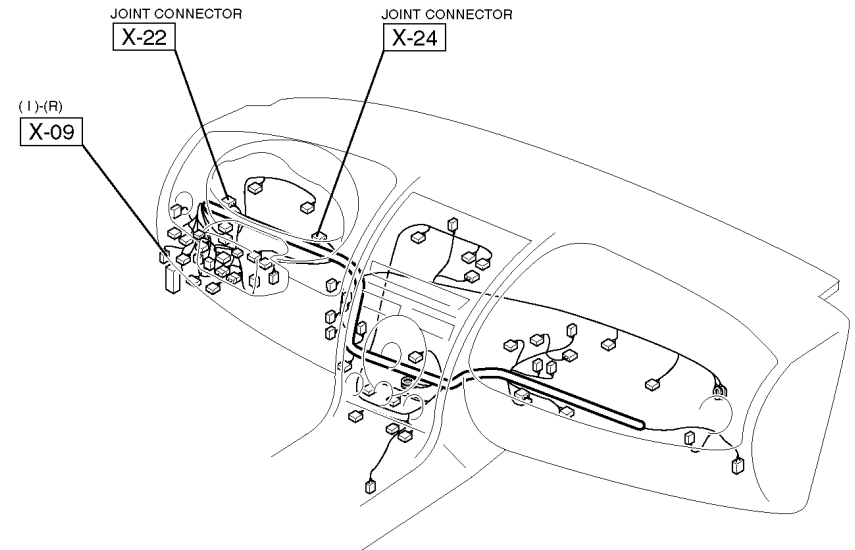
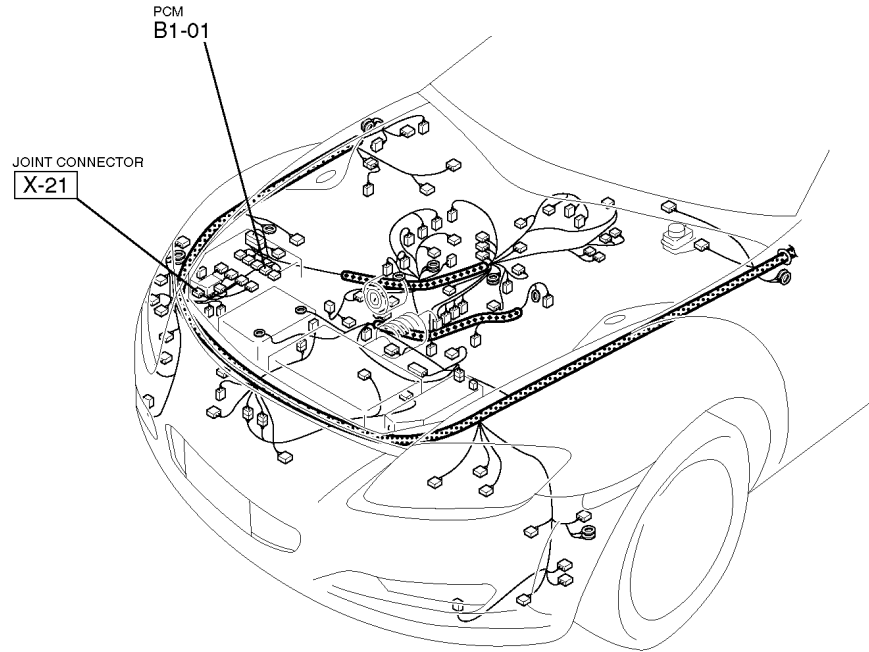


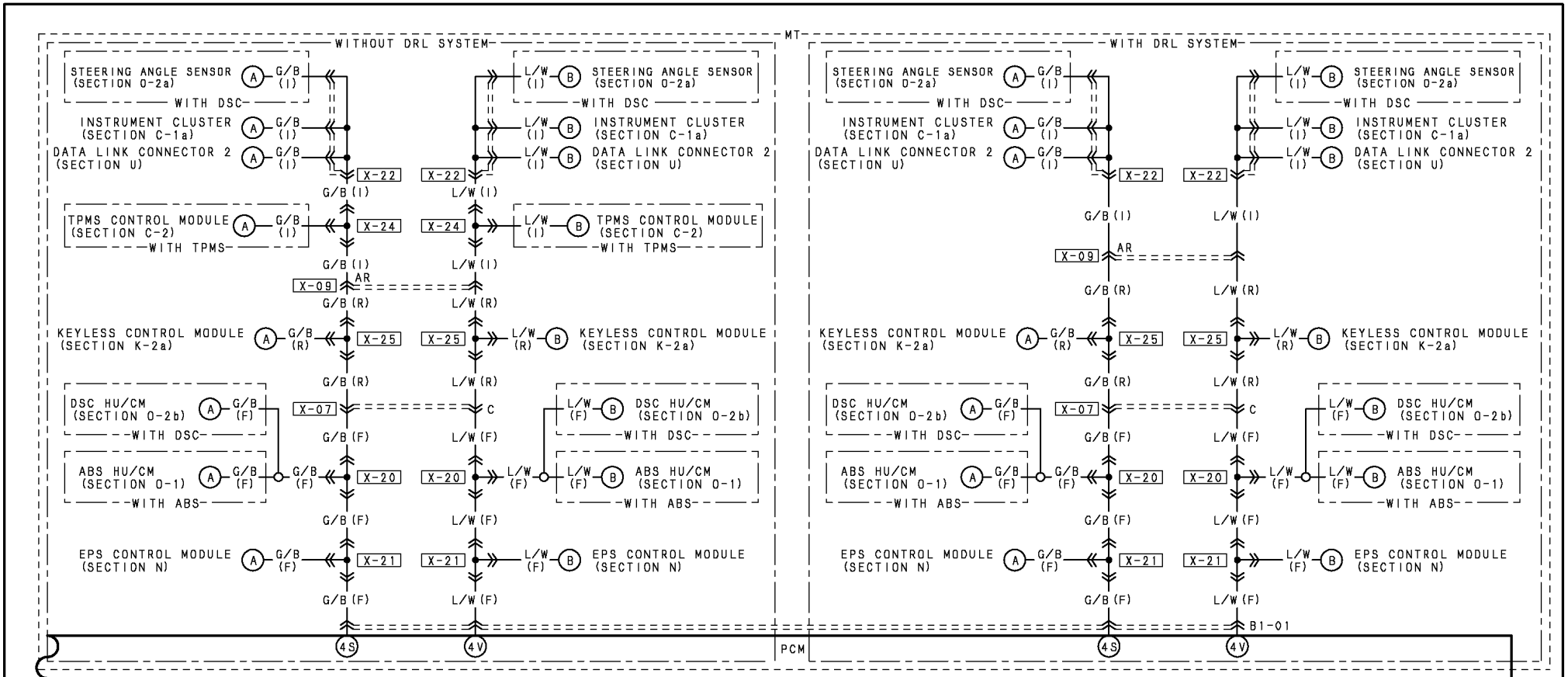
B1-01 PCM (F)



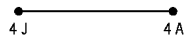
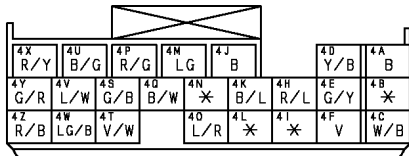
HARNESS SYMBOL:  (F)  (E)  (R)

PCM
Uses information from various sensors/actuators to control powertrain (engine/transaxle) operation.



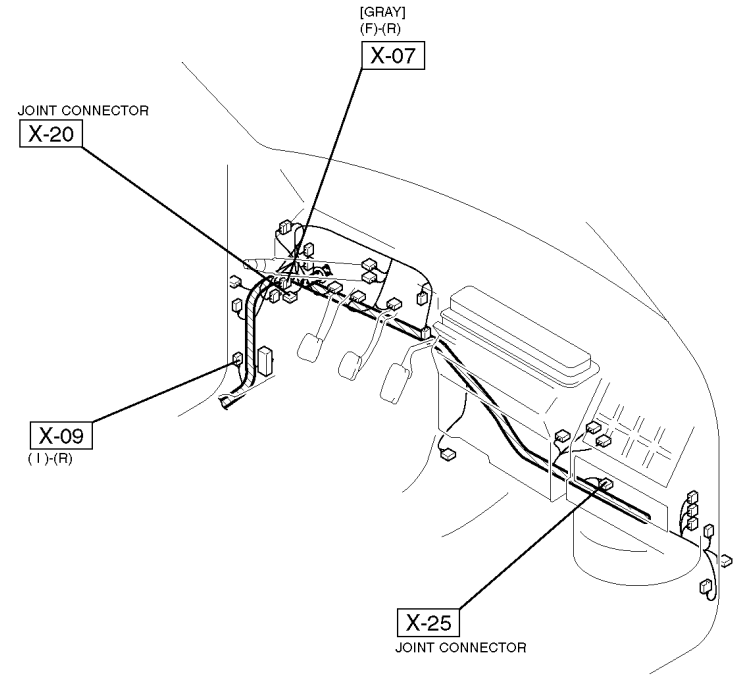
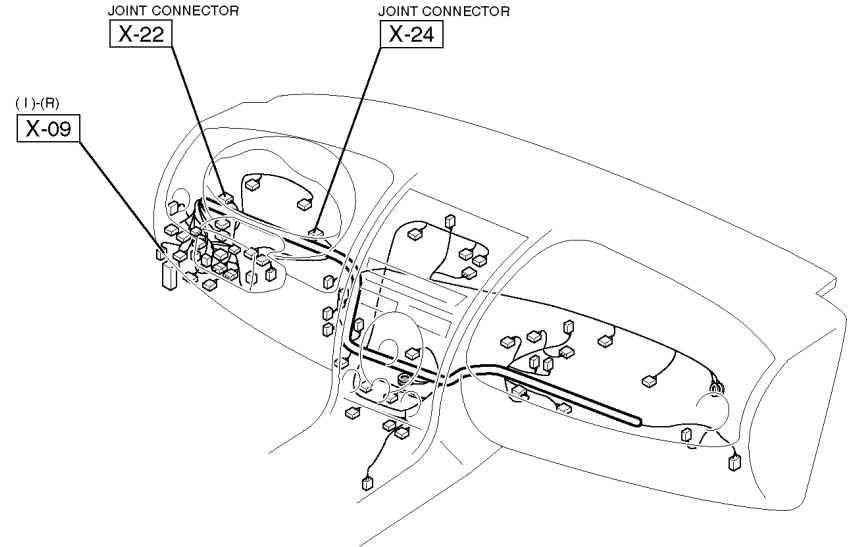
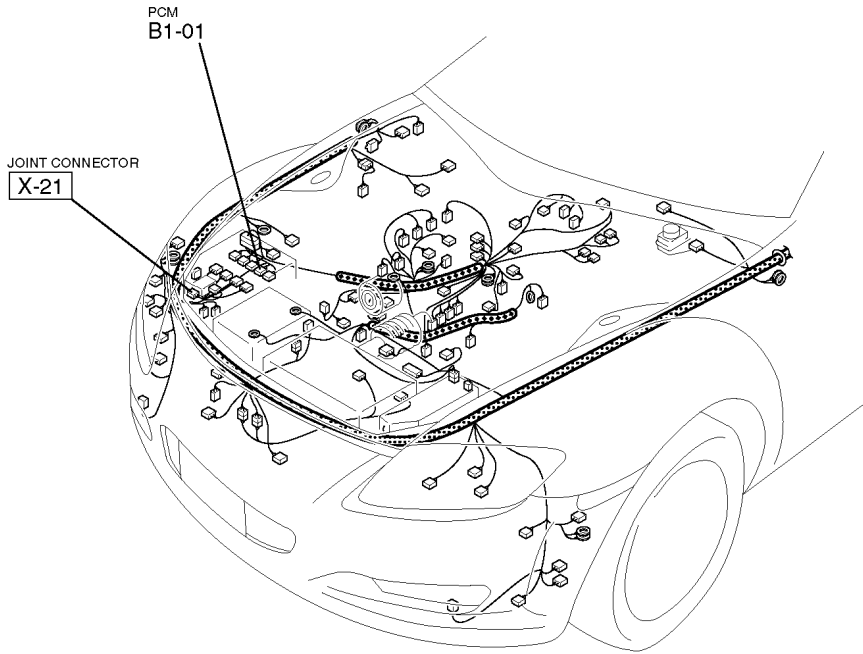


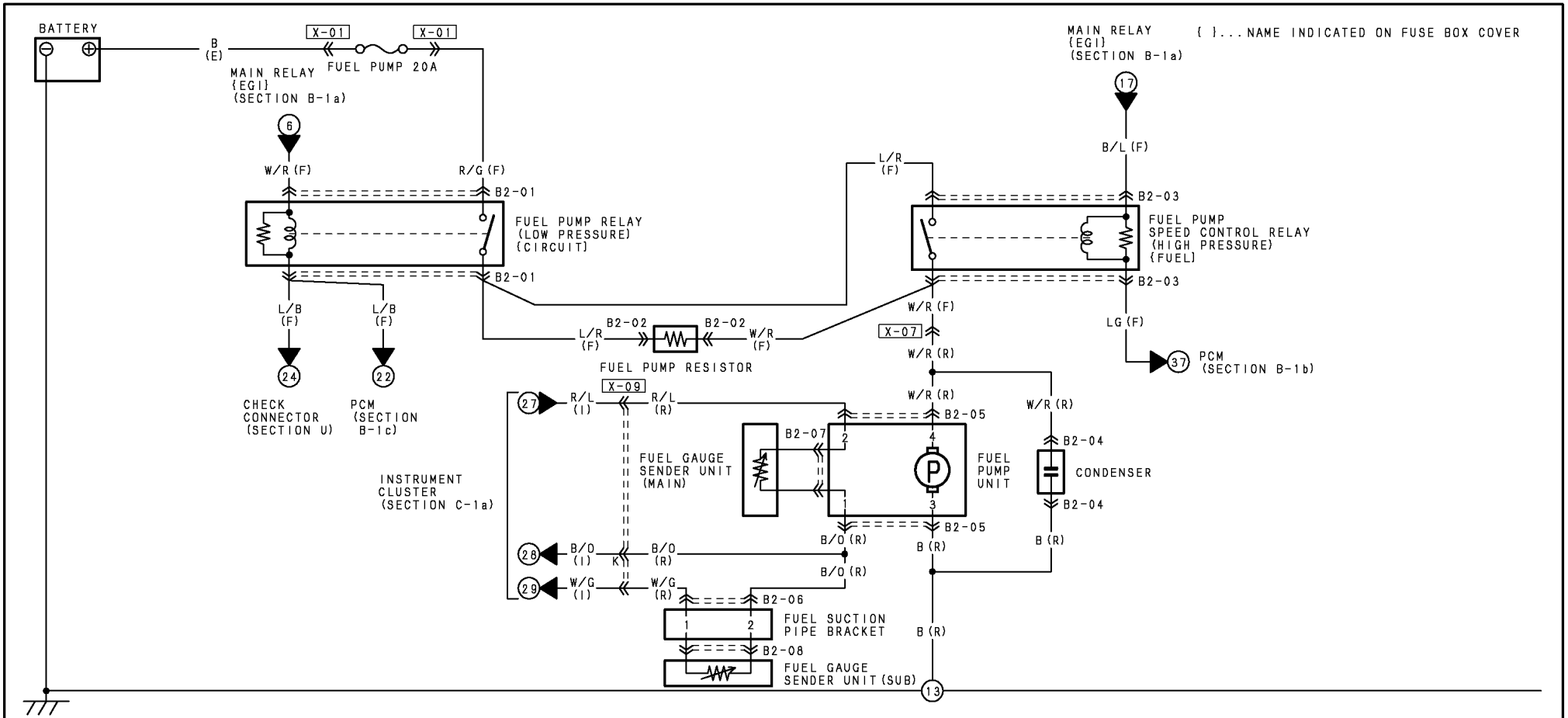
B1-01 PCM (F)



HARNESS SYMBOL:  (F)  (E)  (R)

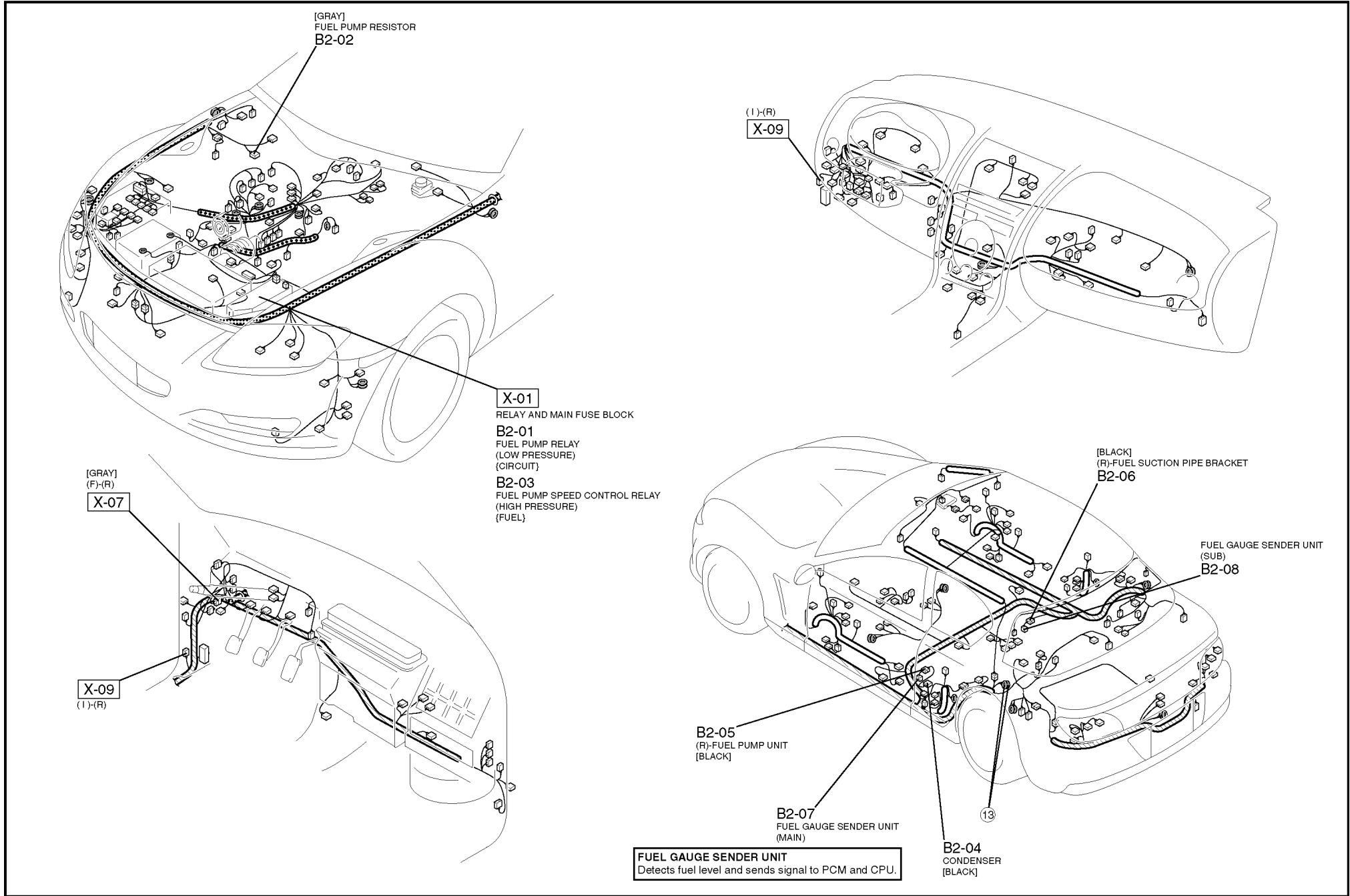
PCM
Uses information from various sensors/actuators to control powertrain (engine/transaxle) operation.

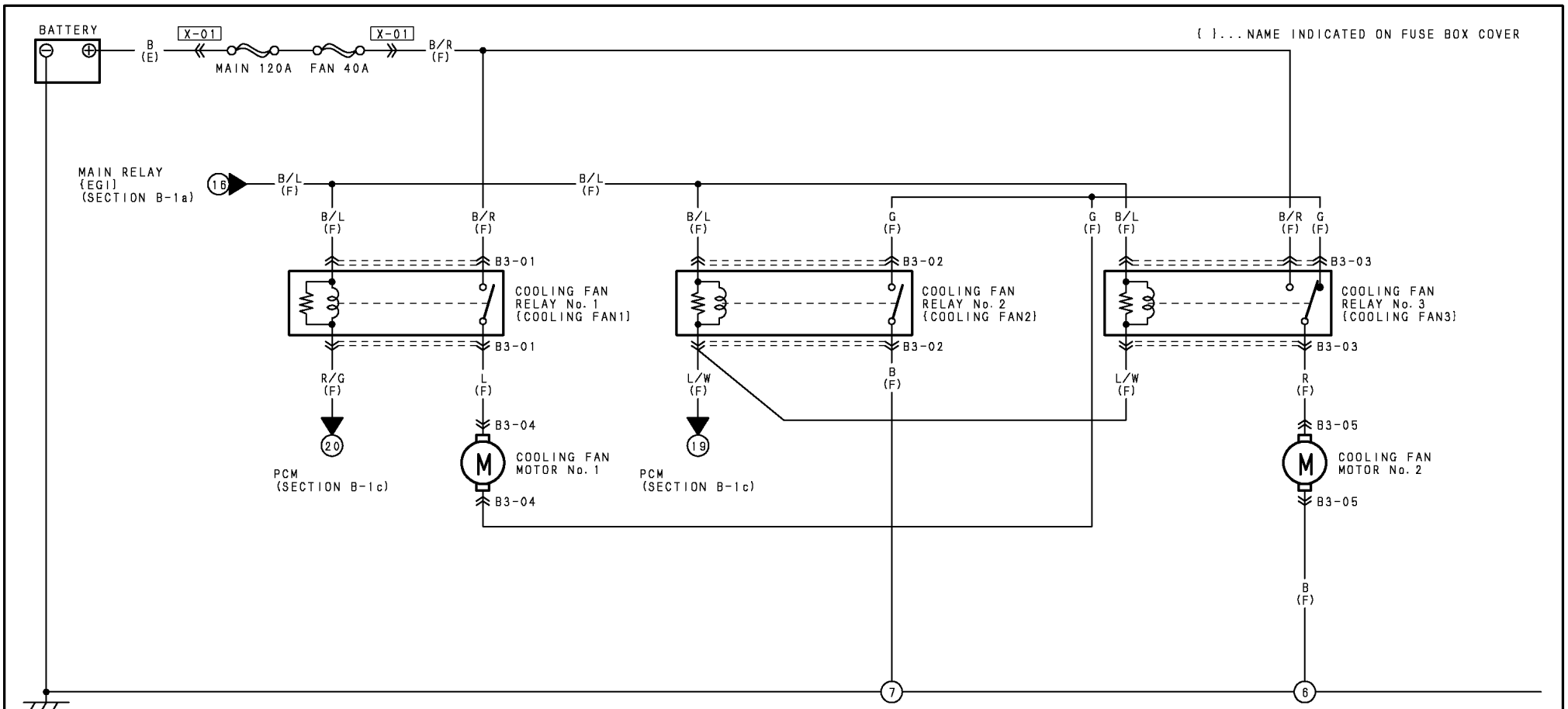




<p>B2-01 FUEL PUMP RELAY (LOW PRESSURE) (CIRCUIT) (F)</p> <p>FRONT</p> <p>NOTE: THIS IS THE CONNECTOR AS SEEN FROM THE TERMINAL SIDE.</p>	<p>B2-02 FUEL PUMP RESISTOR (F)</p>	<p>B2-03 FUEL PUMP SPEED CONTROL RELAY (HIGH PRESSURE) (FUEL) (F)</p> <p>FRONT</p> <p>NOTE: THIS IS THE CONNECTOR AS SEEN FROM THE TERMINAL SIDE.</p>	<p>B2-05 REAR (R) - FUEL PUMP UNIT</p> <p>(R)</p> <p>(FUEL PUMP UNIT)</p> <table border="1"> <tr><td>1</td><td>2</td></tr> <tr><td>3</td><td>4</td></tr> </table> <p>TERMINALS OF THIS CONNECTOR ARE INDICATED BY NUMBERS.</p> <p>NOTE: THIS IS THE CONNECTOR AS SEEN FROM THE TERMINAL SIDE.</p>	1	2	3	4	<p>B2-06 REAR (R) - FUEL SUCTION PIPE BRACKET</p> <p>(R)</p> <p>(FUEL SUCTION PIPE BRACKET)</p> <table border="1"> <tr><td>2</td><td>1</td></tr> <tr><td>*</td><td>*</td></tr> </table> <p>TERMINALS OF THIS CONNECTOR ARE INDICATED BY NUMBERS.</p> <p>NOTE: THIS IS THE CONNECTOR AS SEEN FROM THE TERMINAL SIDE.</p>	2	1	*	*
1	2											
3	4											
2	1											
*	*											
<p>B2-04 CONDENSER (R)</p>	<p>B2-07 FUEL GAUGE SENDER UNIT (MAIN) (FUEL PUMP UNIT)</p> <p>TERMINALS OF THIS CONNECTOR ARE INDICATED BY NUMBERS.</p> <p>NOTE: THIS IS THE CONNECTOR AS SEEN FROM THE TERMINAL SIDE.</p>	<p>B2-08 FUEL GAUGE SENDER UNIT (SUB) (FUEL SUCTION PIPE BRACKET)</p> <p>TERMINALS OF THIS CONNECTOR ARE INDICATED BY NUMBERS.</p> <p>NOTE: THIS IS THE CONNECTOR AS SEEN FROM THE TERMINAL SIDE.</p>										

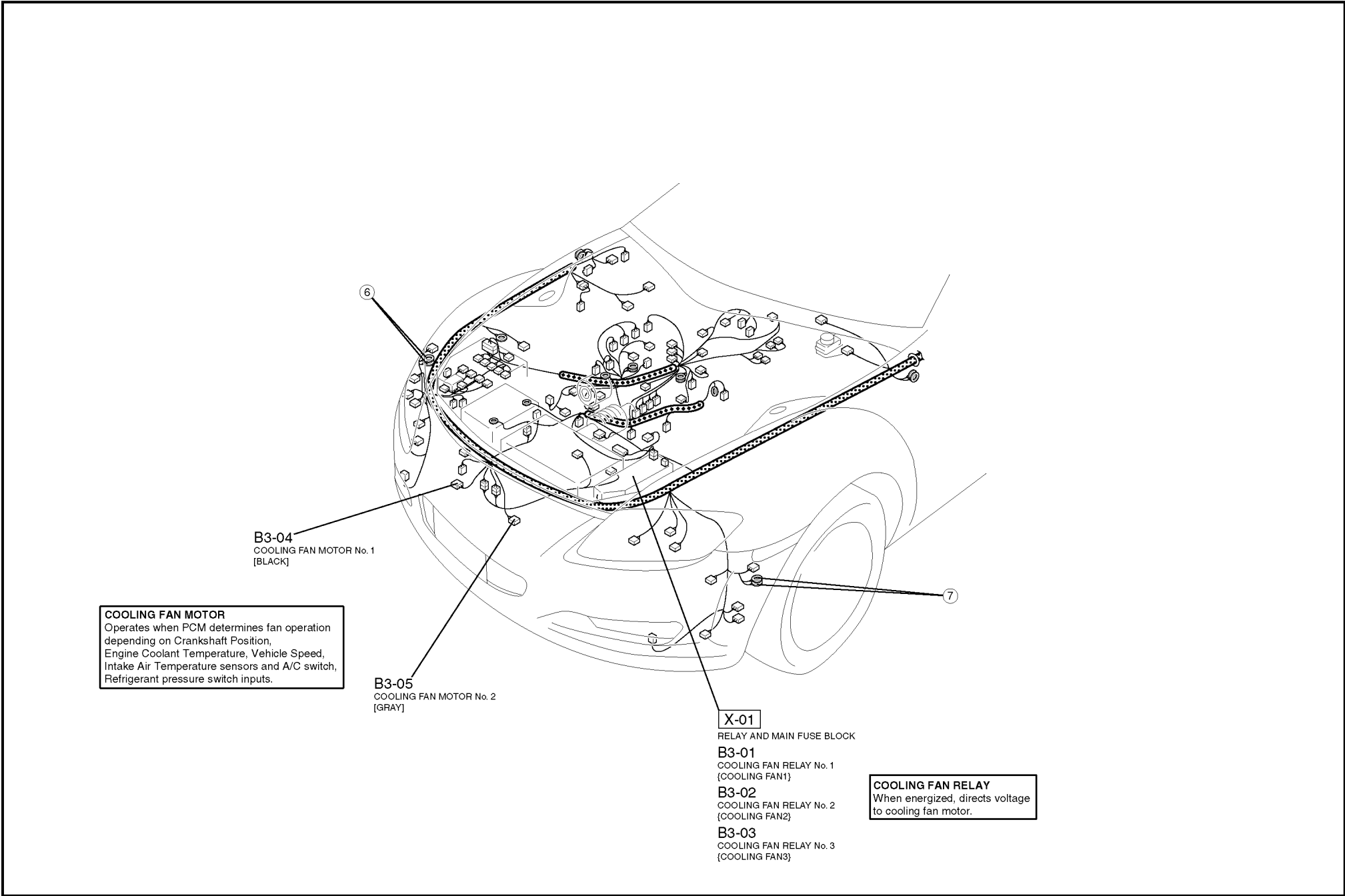
HARNESS SYMBOL:  (F)  (E)  (R)





<p>B3-01 COOLING FAN RELAY No. 1 (COOLING FAN1) (F)</p> <p style="text-align: center;">FRONT</p> <p>NOTE: THIS IS THE CONNECTOR AS SEEN FROM THE TERMINAL SIDE.</p>	<p>B3-02 COOLING FAN RELAY No. 2 (COOLING FAN2) (F)</p> <p style="text-align: center;">FRONT</p> <p>NOTE: THIS IS THE CONNECTOR AS SEEN FROM THE TERMINAL SIDE.</p>	<p>B3-03 COOLING FAN RELAY No. 3 (COOLING FAN3) (F)</p> <p style="text-align: center;">FRONT</p> <p>NOTE: THIS IS THE CONNECTOR AS SEEN FROM THE TERMINAL SIDE.</p>	<p>B3-04 COOLING FAN MOTOR No. 1 (F)</p>	<p>B3-05 COOLING FAN MOTOR No. 2 (F)</p>		
---	---	---	--	--	--	--

HARNESS SYMBOL:  (F)  (E)  (R)



COOLING FAN MOTOR
 Operates when PCM determines fan operation depending on Crankshaft Position, Engine Coolant Temperature, Vehicle Speed, Intake Air Temperature sensors and A/C switch, Refrigerant pressure switch inputs.

B3-04
 COOLING FAN MOTOR No. 1
 [BLACK]

B3-05
 COOLING FAN MOTOR No. 2
 [GRAY]

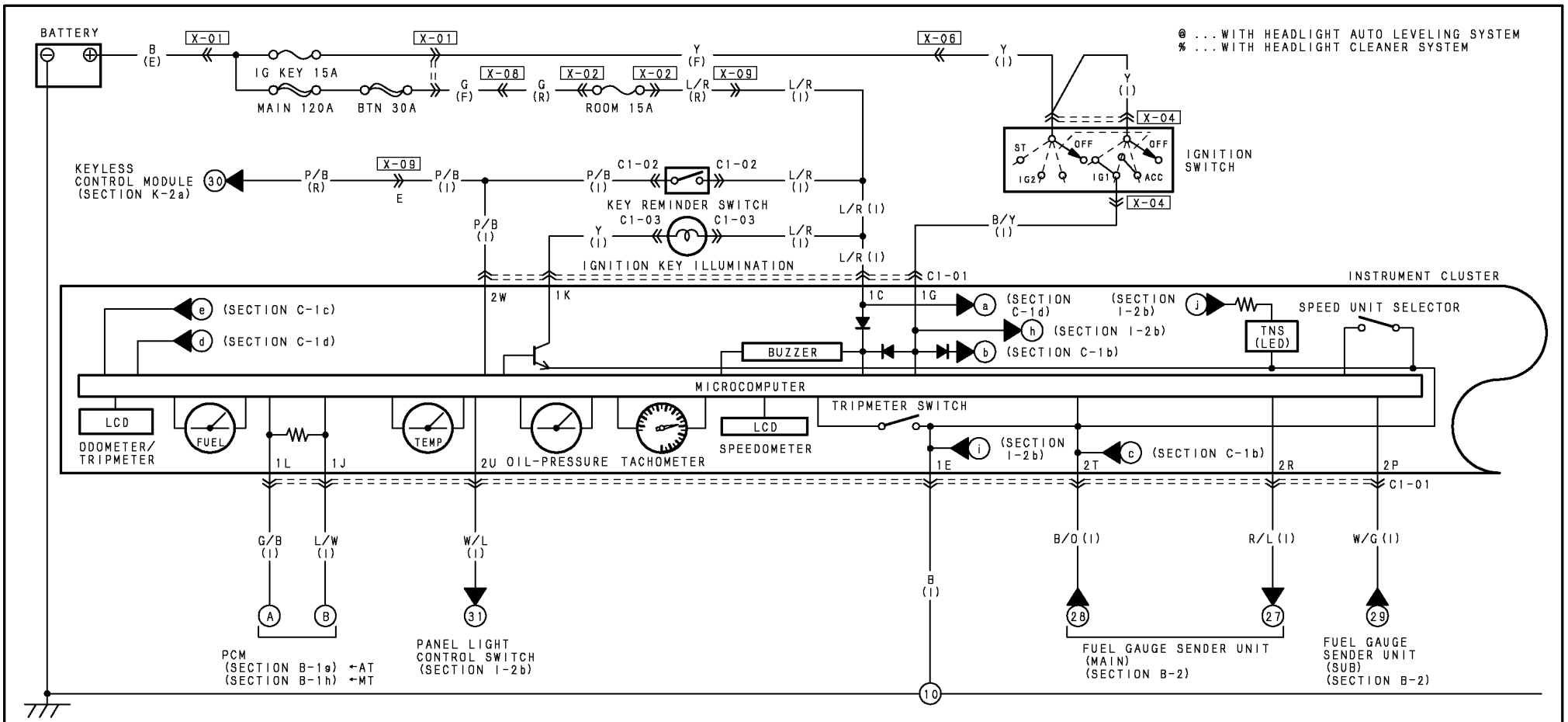
X-01
 RELAY AND MAIN FUSE BLOCK

B3-01
 COOLING FAN RELAY No. 1
 {COOLING FAN1}

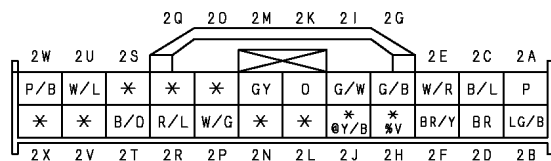
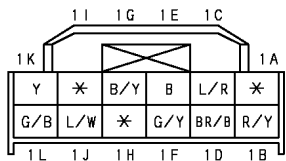
B3-02
 COOLING FAN RELAY No. 2
 {COOLING FAN2}

B3-03
 COOLING FAN RELAY No. 3
 {COOLING FAN3}

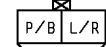
COOLING FAN RELAY
 When energized, directs voltage to cooling fan motor.



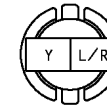
C1-01 INSTRUMENT CLUSTER (I)



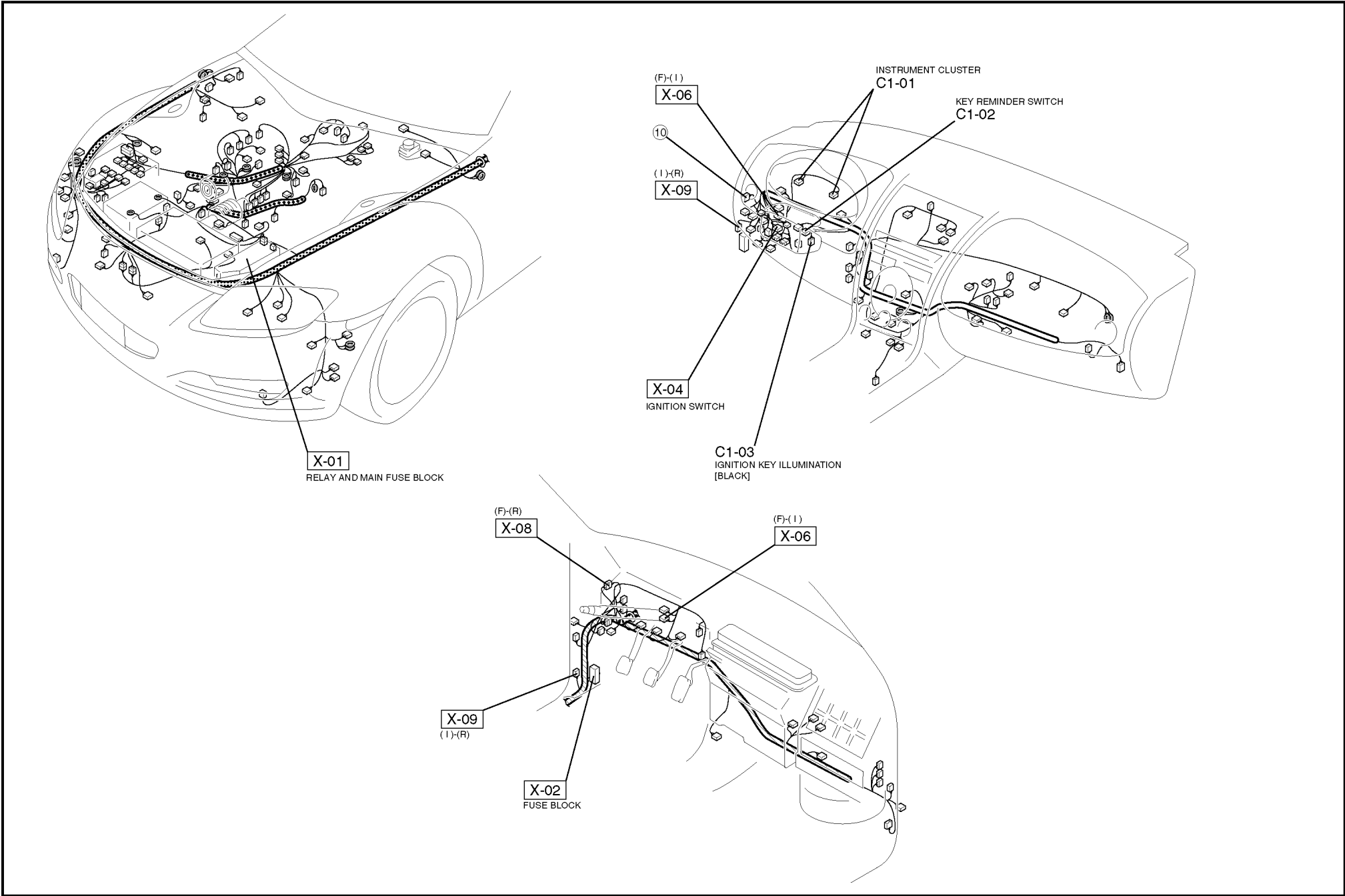
C1-02 KEY REMINDER SWITCH (I)



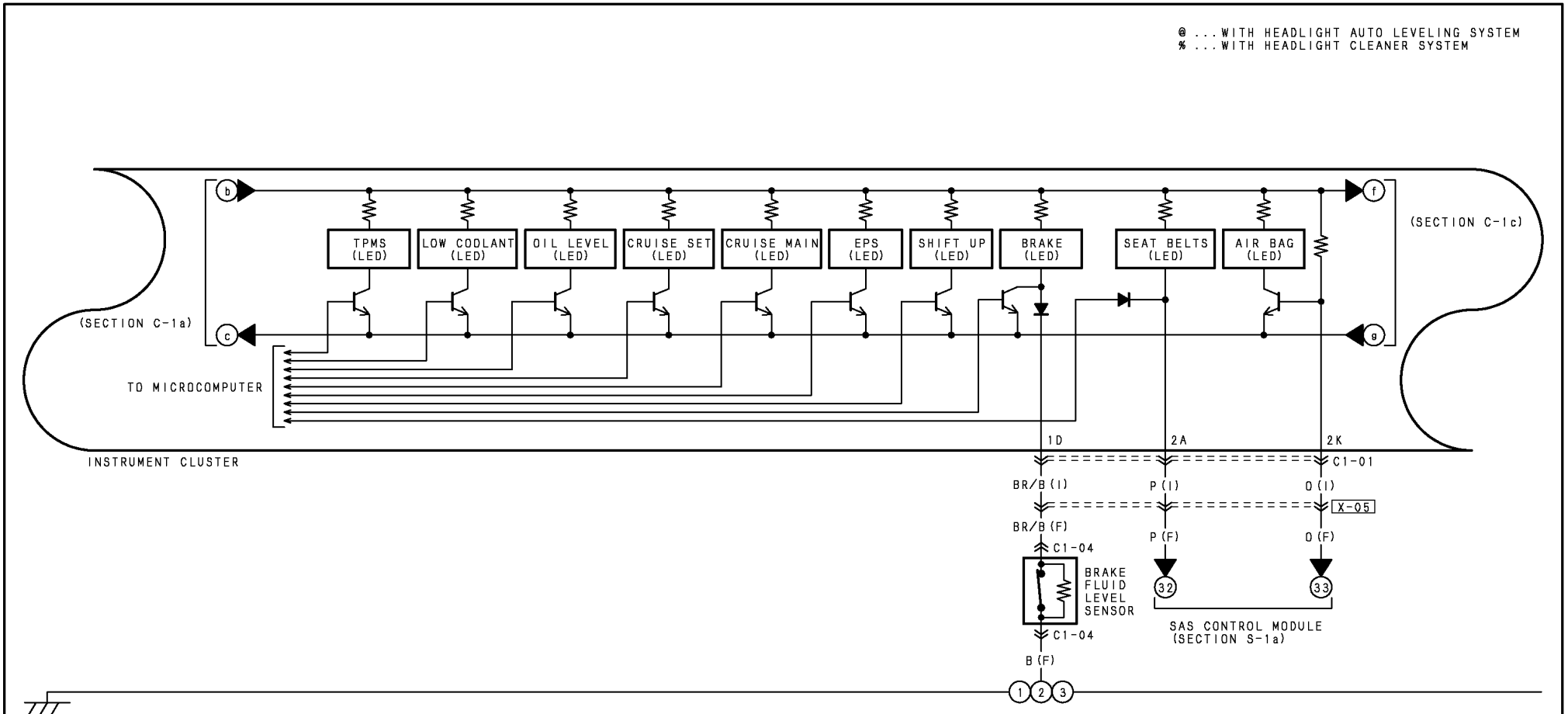
C1-03 IGNITION KEY ILLUMINATION (I)



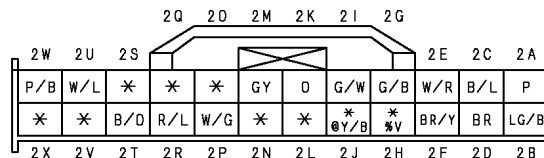
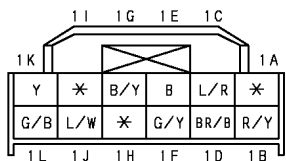
HARNESS SYMBOL:  (F)  (E)  (R)



@ ... WITH HEADLIGHT AUTO LEVELING SYSTEM
 % ... WITH HEADLIGHT CLEANER SYSTEM



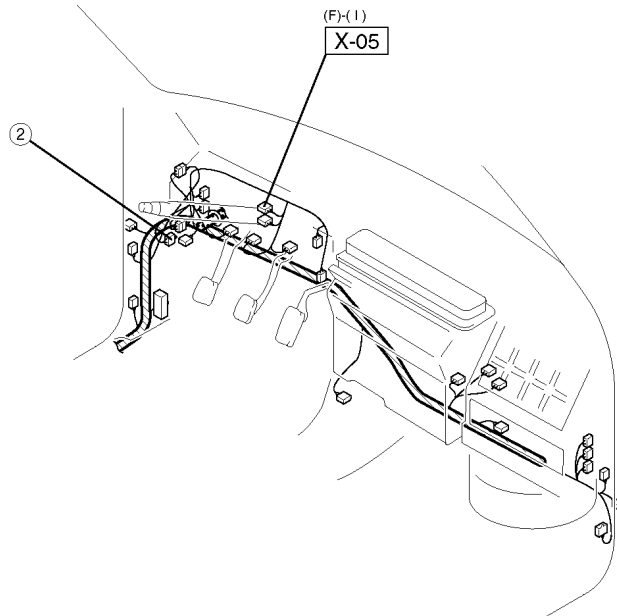
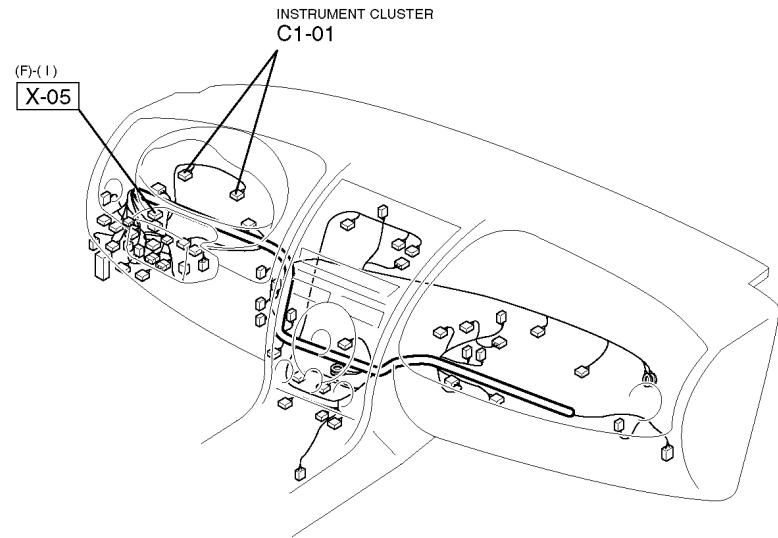
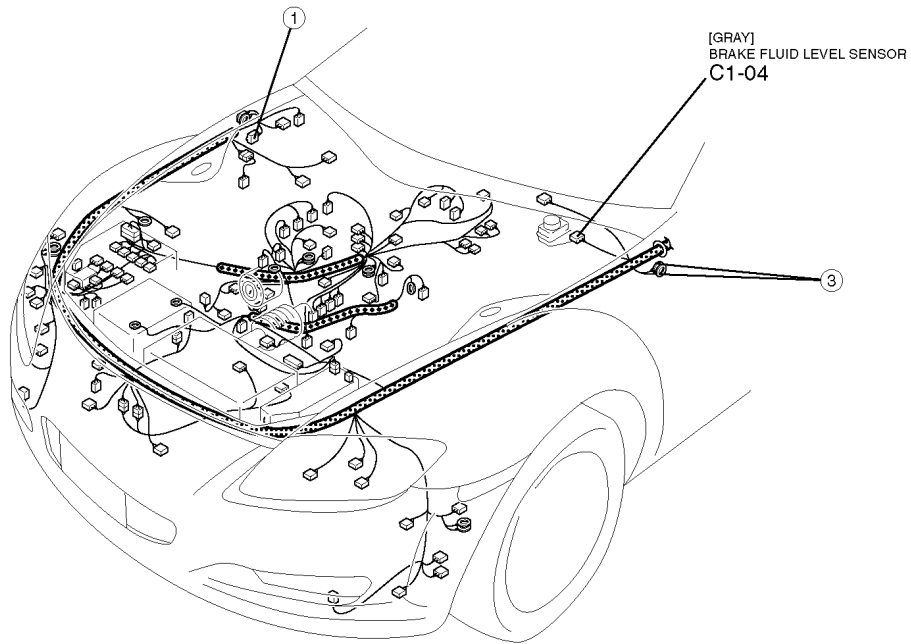
C1-01 INSTRUMENT CLUSTER (I)



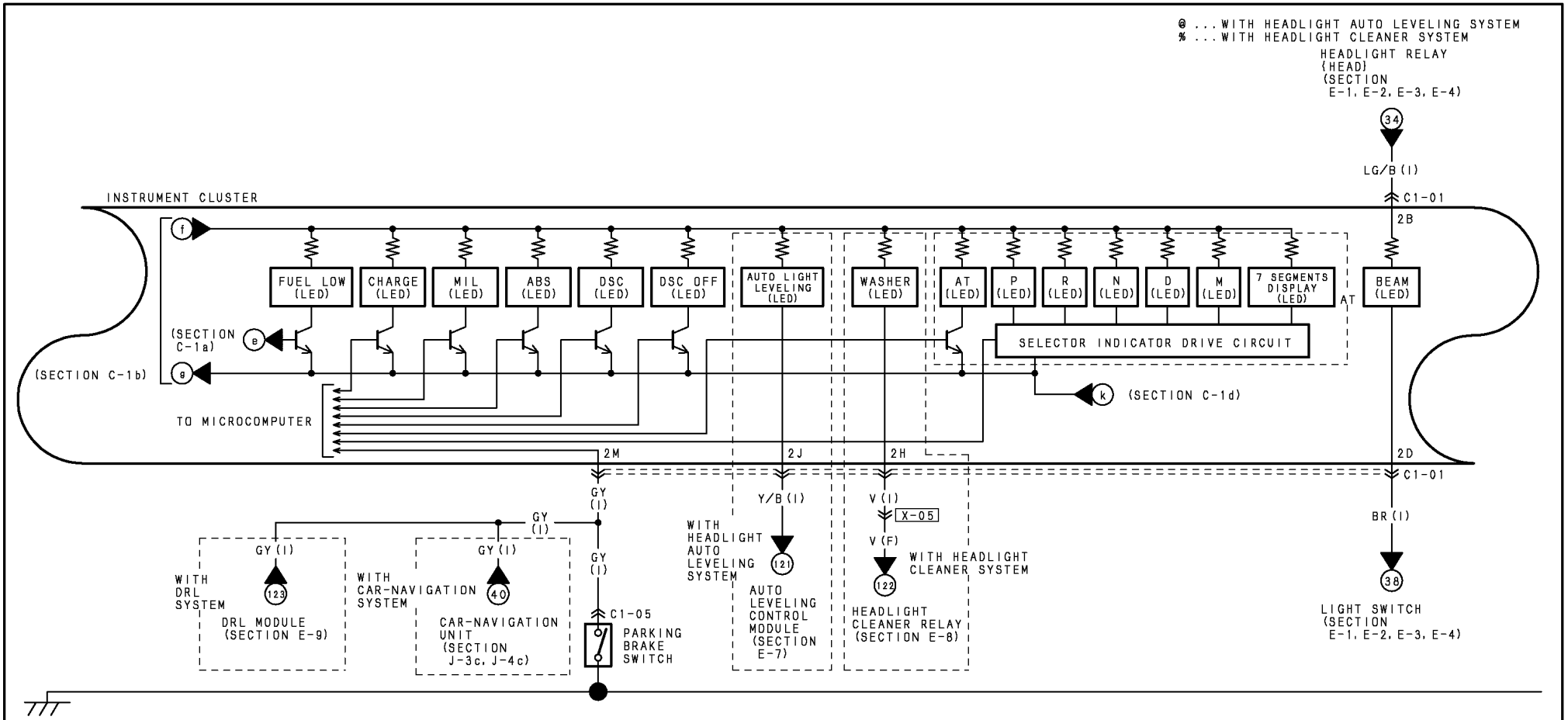
C1-04 BRAKE FLUID LEVEL SENSOR (F)



HARNESS SYMBOL:  (F)  (E)  (R)

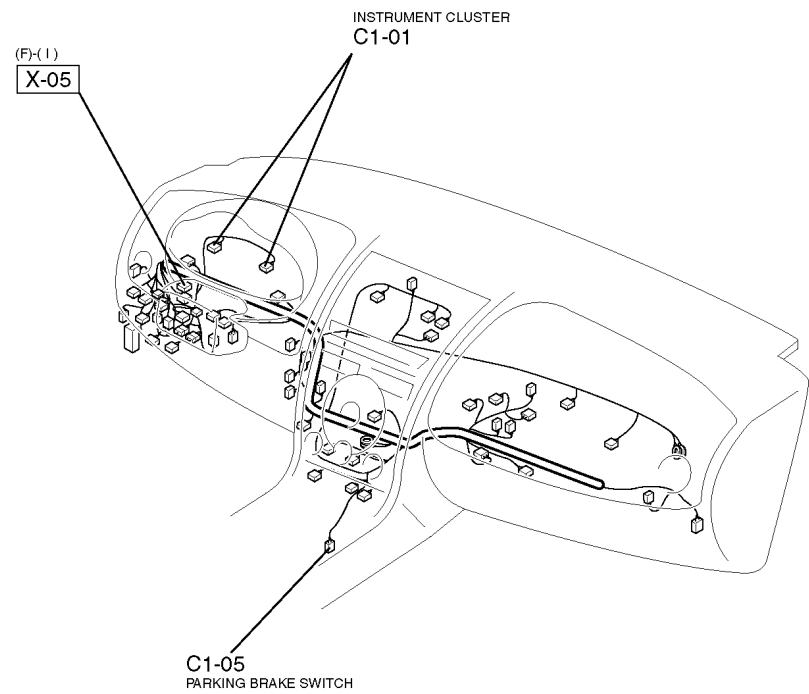
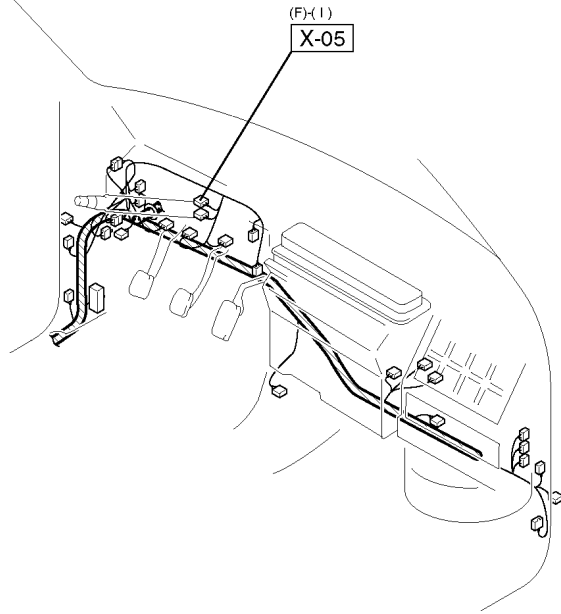


@ ... WITH HEADLIGHT AUTO LEVELING SYSTEM
 % ... WITH HEADLIGHT CLEANER SYSTEM
 HEADLIGHT RELAY (HEAD)
 (SECTION E-1, E-2, E-3, E-4)

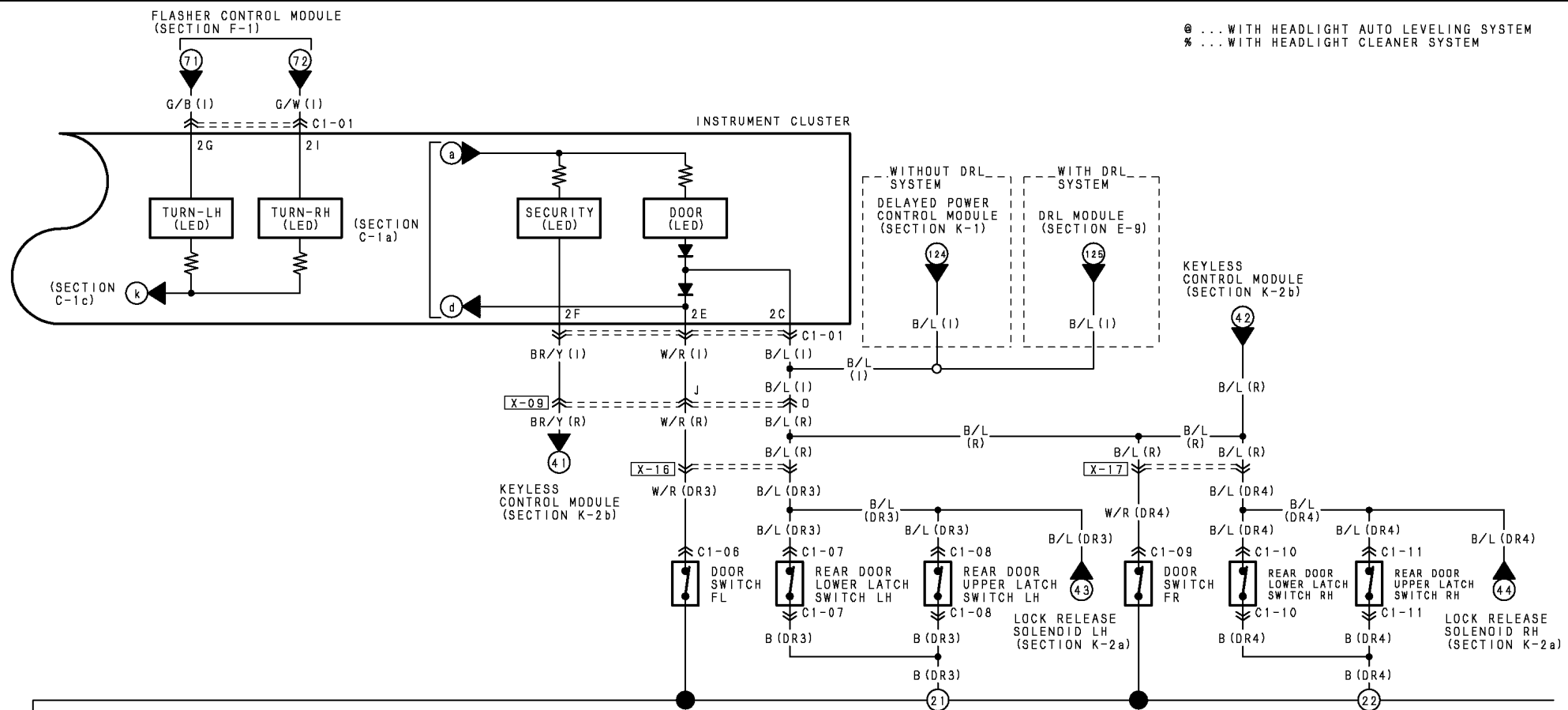


C1-01 INSTRUMENT CLUSTER (I)											C1-05 PARKING BRAKE SWITCH (I)				
P/B	W/L	*	*	*	GY	0	G/W	G/B	W/R	B/L	P				
*	*	B/O	R/L	W/G	*	*	* @Y/B	* %V	BR/Y	BR	LG/B				
2X	2V	2T	2R	2P	2N	2L	2J	2H	2F	2D	2B				

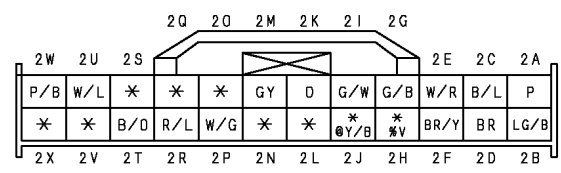
HARNESS SYMBOL:  (F)  (E)  (R)



@ ... WITH HEADLIGHT AUTO LEVELING SYSTEM
 % ... WITH HEADLIGHT CLEANER SYSTEM



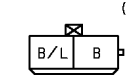
C1-01 INSTRUMENT CLUSTER (I)



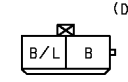
C1-06 DOOR SWITCH FL (DR3)



C1-07 REAR DOOR LOWER LATCH SWITCH LH (DR3)



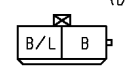
C1-08 REAR DOOR UPPER LATCH SWITCH LH (DR3)



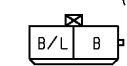
C1-09 DOOR SWITCH FR (DR4)



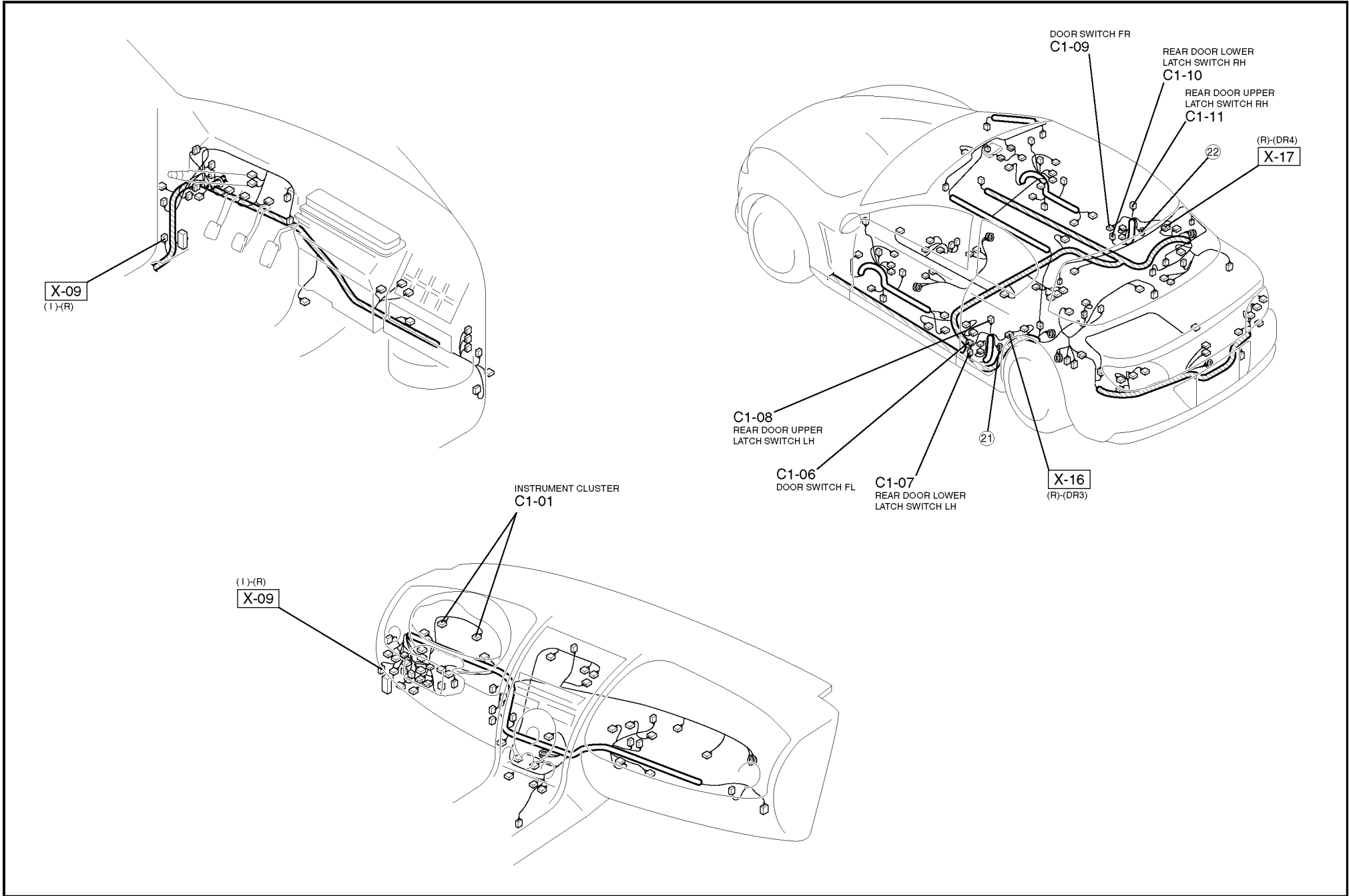
C1-10 REAR DOOR LOWER LATCH SWITCH RH (DR4)

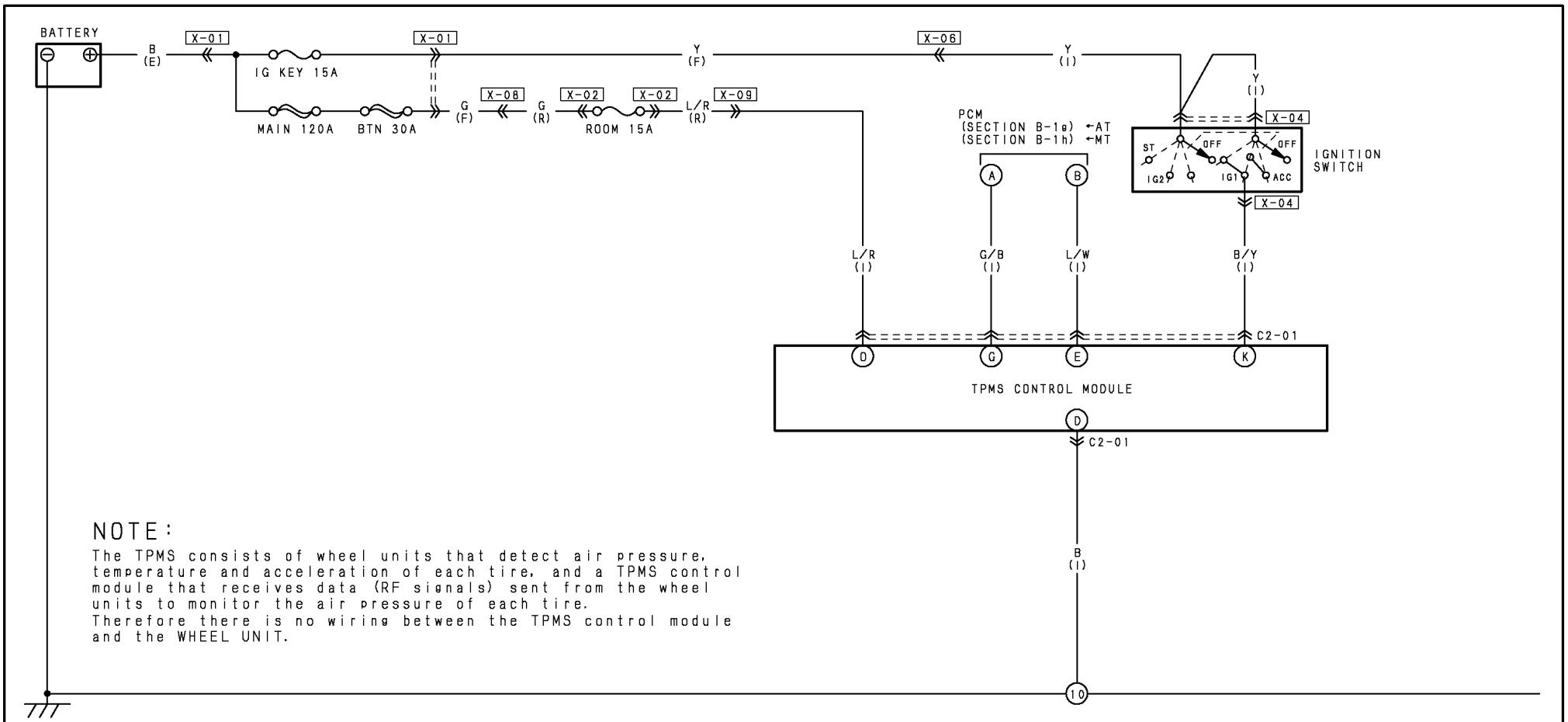


C1-11 REAR DOOR UPPER LATCH SWITCH RH (DR4)



HARNESS SYMBOL:  (F)  (E)  (R)

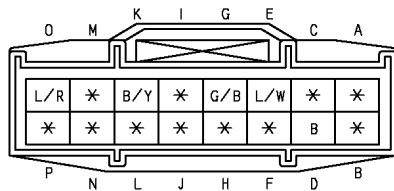




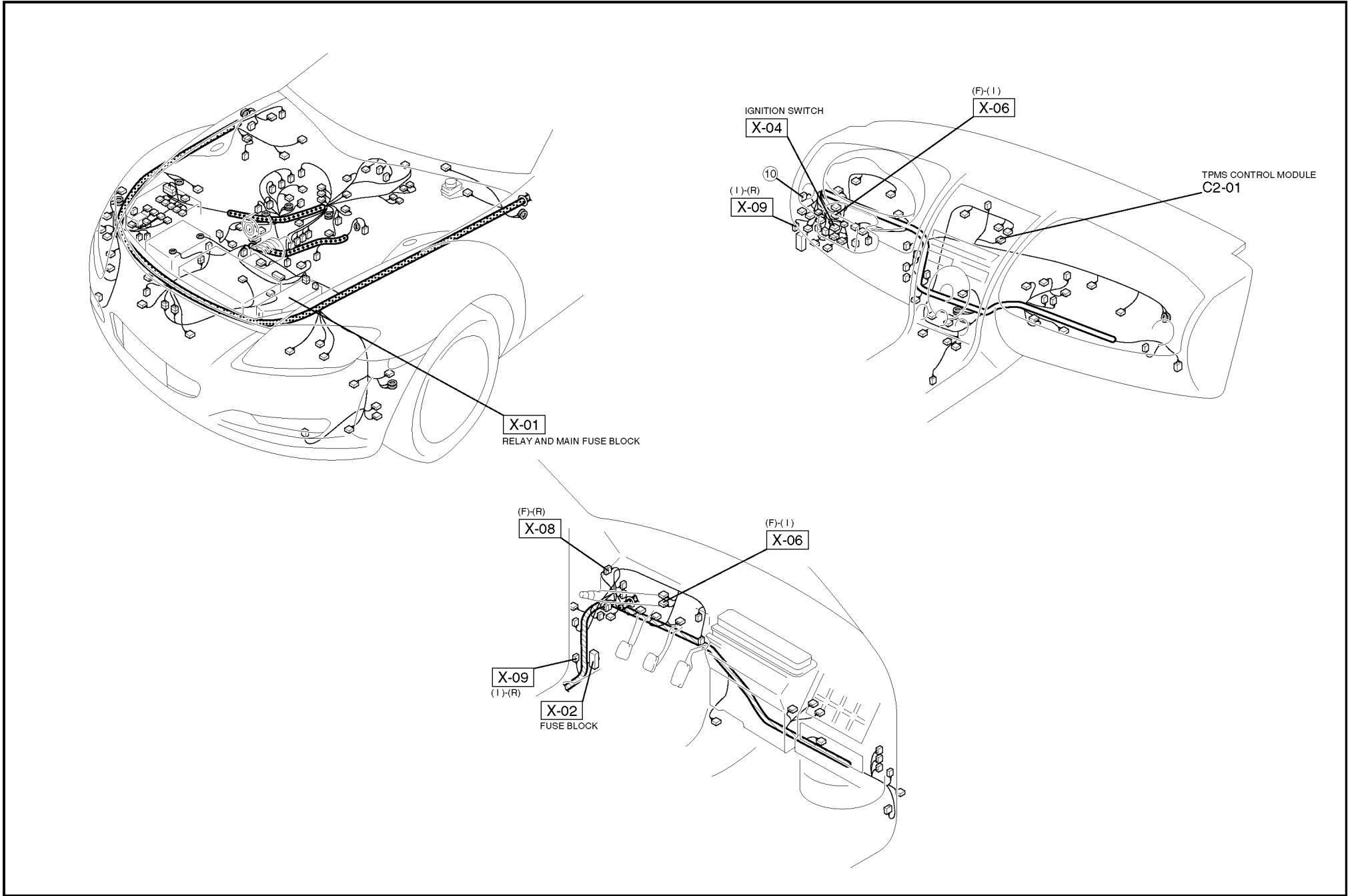
NOTE :

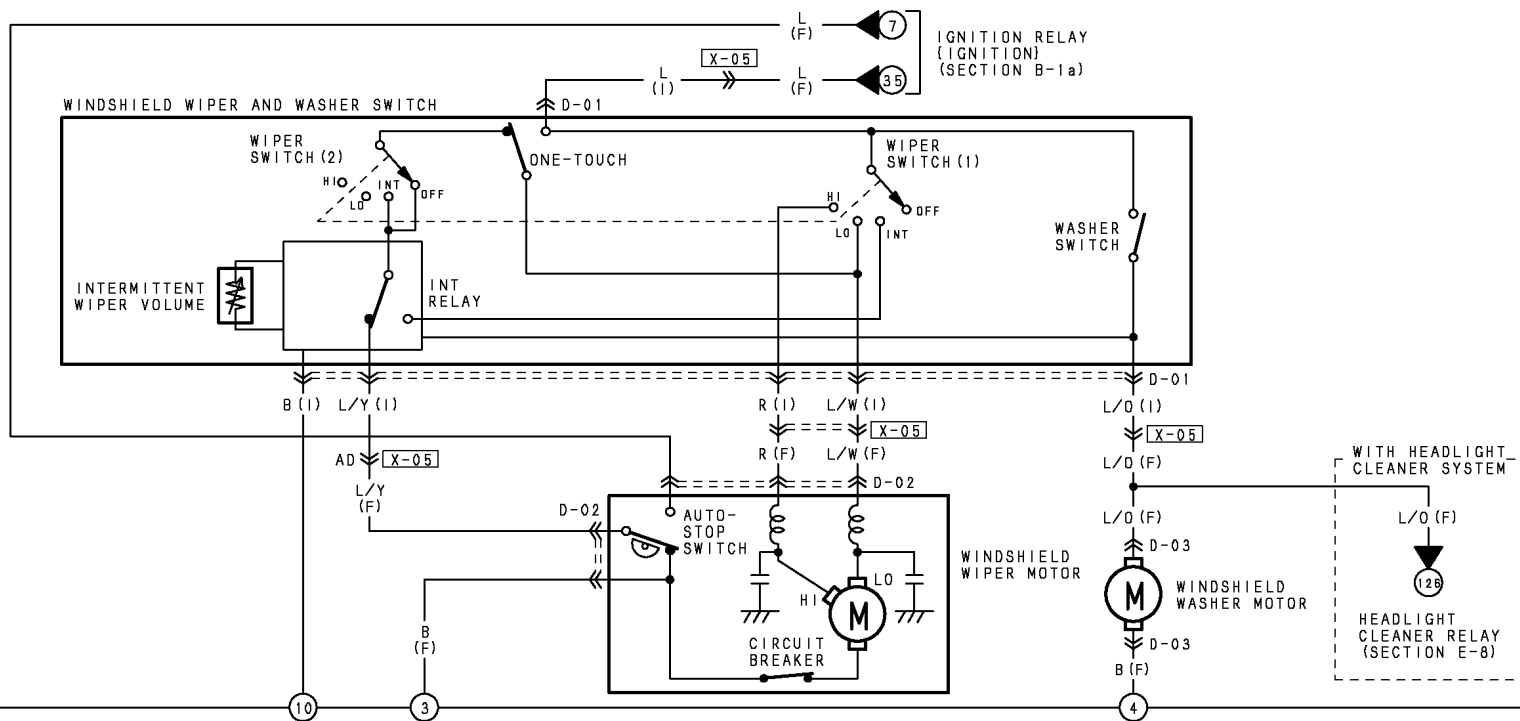
The TPMS consists of wheel units that detect air pressure, temperature and acceleration of each tire, and a TPMS control module that receives data (RF signals) sent from the wheel units to monitor the air pressure of each tire. Therefore there is no wiring between the TPMS control module and the WHEEL UNIT.

C2-01 TPMS CONTROL MODULE (1)

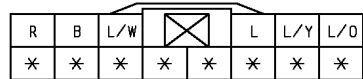


HARNESS SYMBOL:  (F)  (E)  (R)





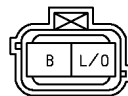
D-01 WINDSHIELD WIPER AND WASHER SWITCH (I)



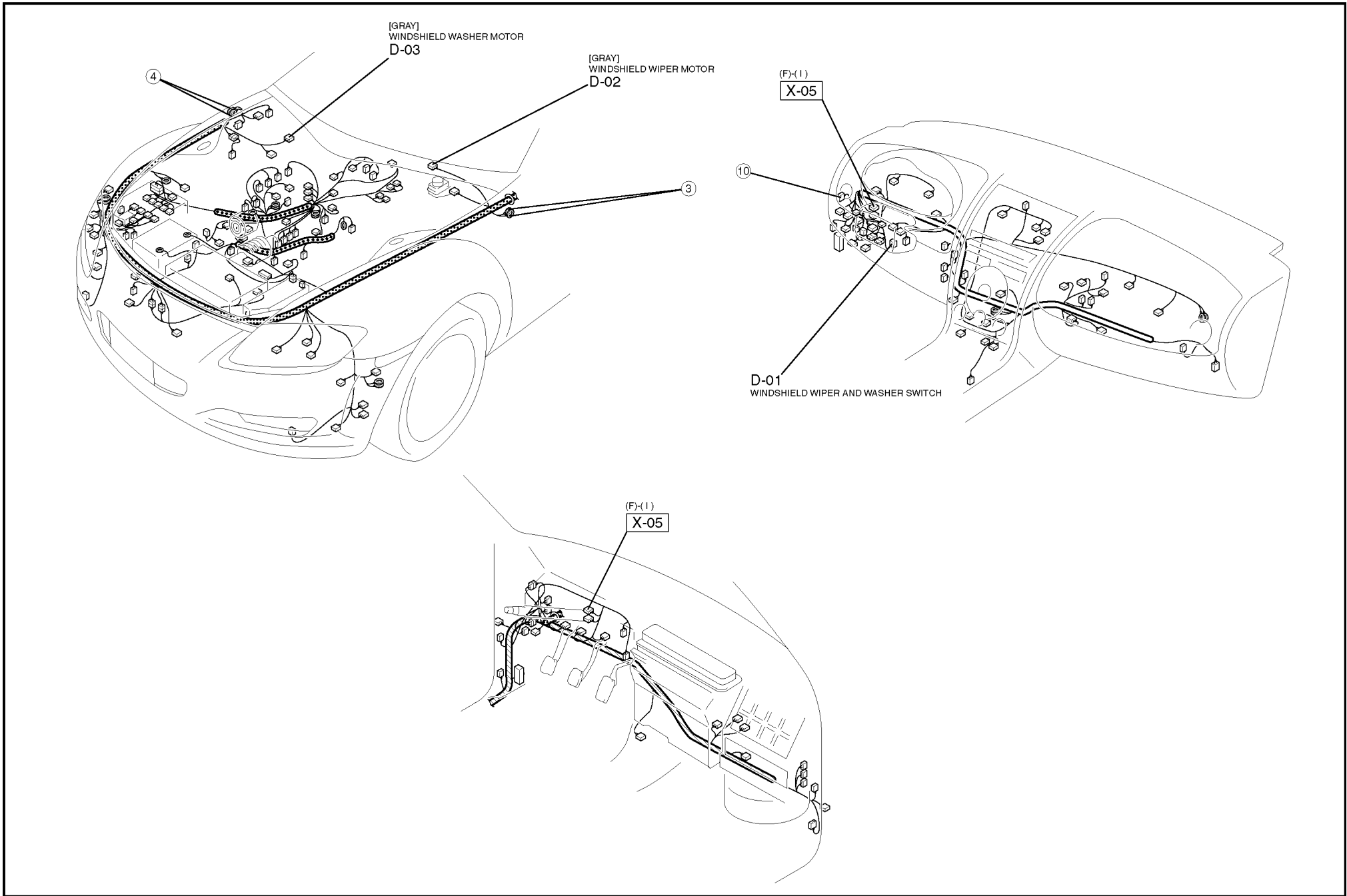
D-02 WINDSHIELD WIPER MOTOR (F)

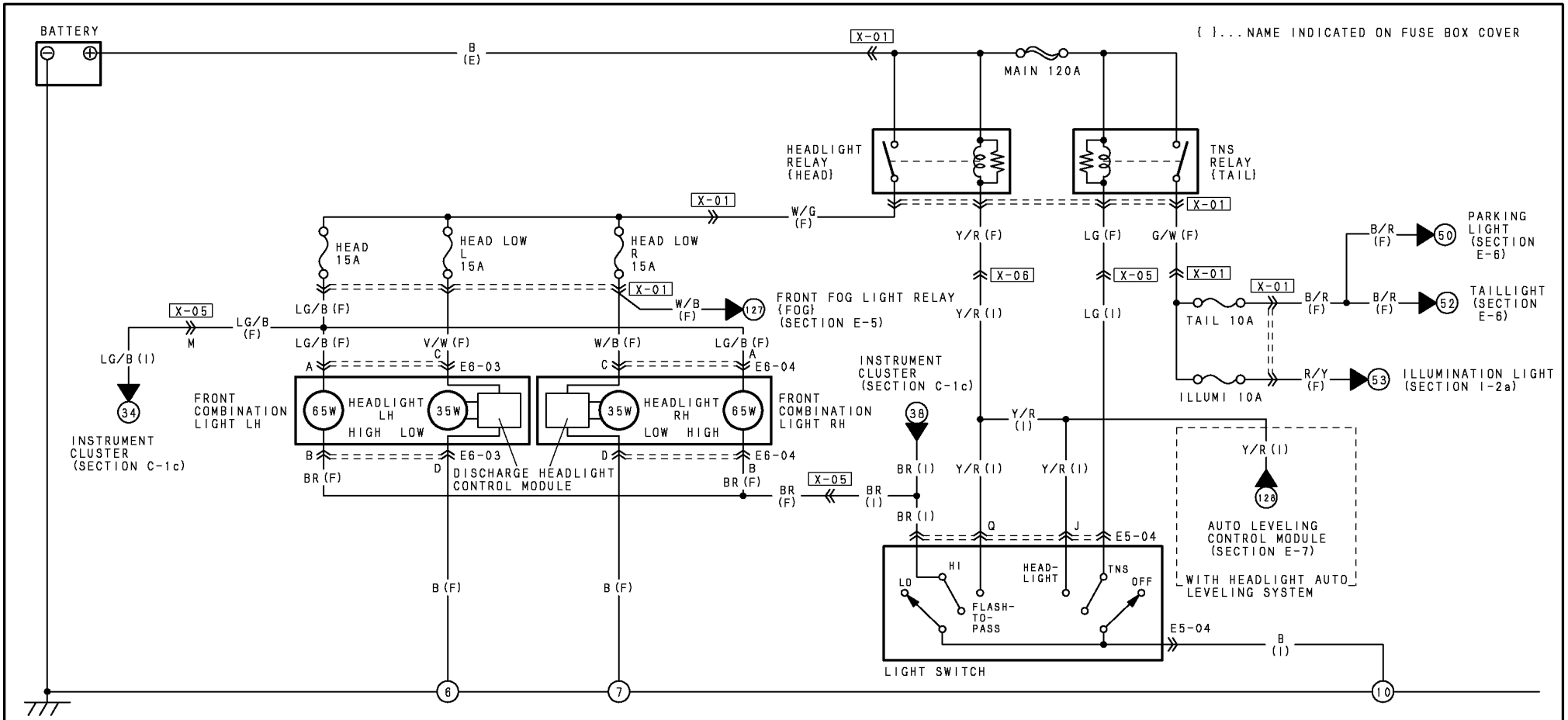


D-03 WINDSHIELD WASHER MOTOR (F)

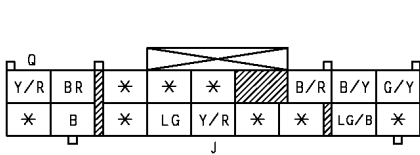


HARNESS SYMBOL:  (F)  (E)  (R)

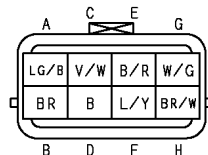




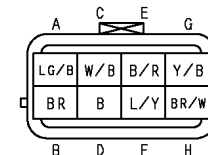
E5-04 LIGHT SWITCH (1)



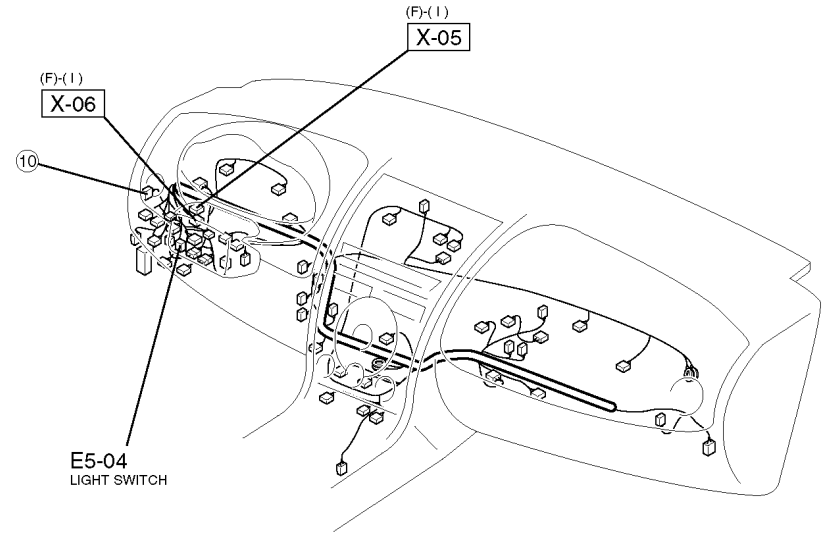
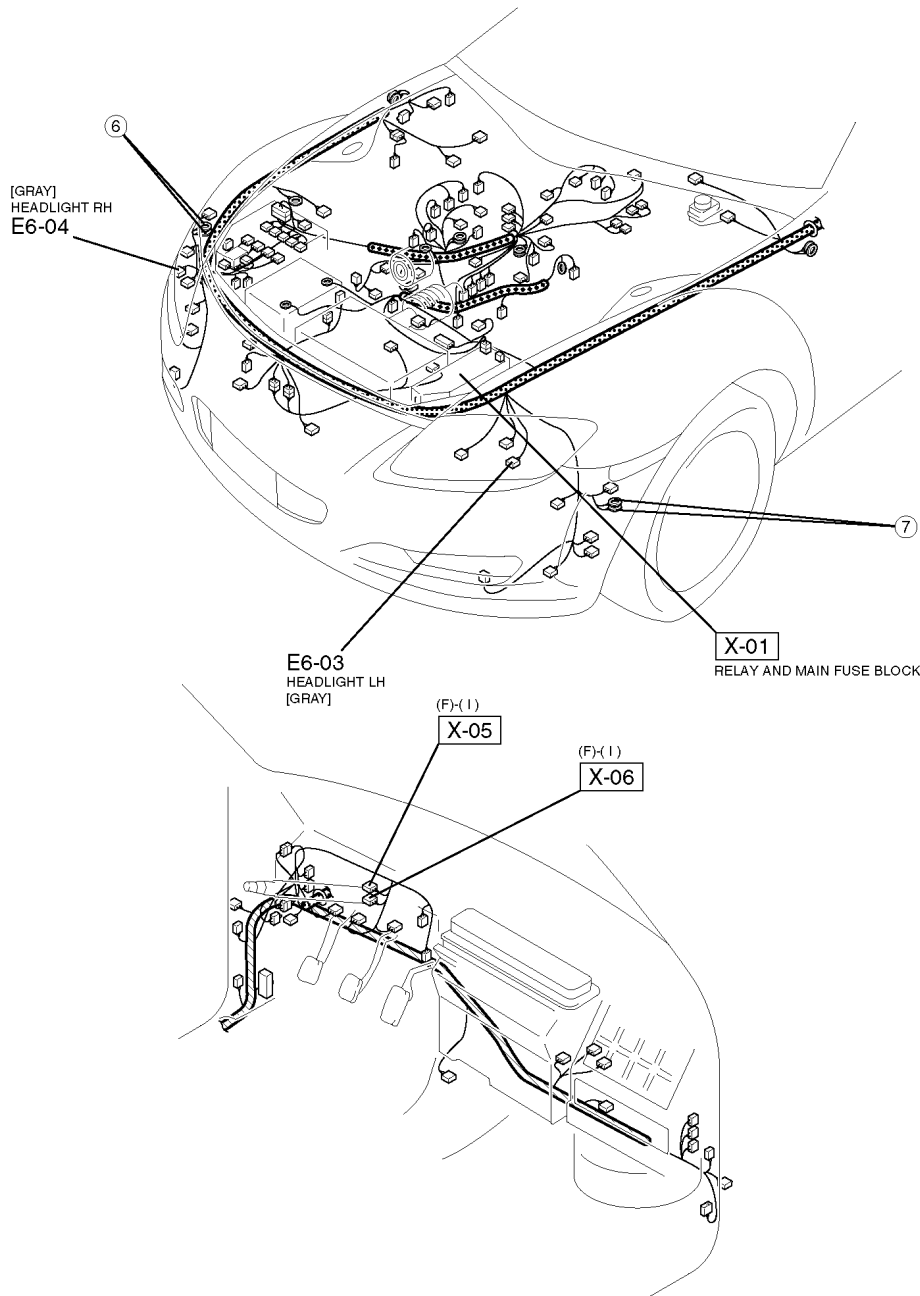
E6-03 HEADLIGHT LH (F)



E6-04 HEADLIGHT RH (F)



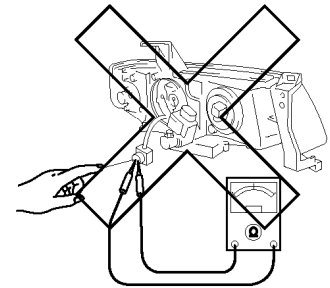
HARNESS SYMBOL:  (F)  (E)  (R)



DISCHARGE HEADLIGHT SERVICE WARNINGS

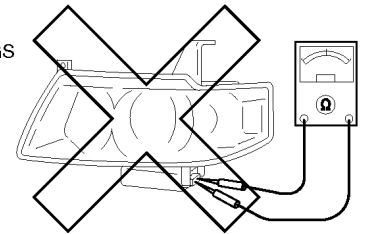
DISCHARGE HEADLIGHT BULB SERVICE WARNINGS

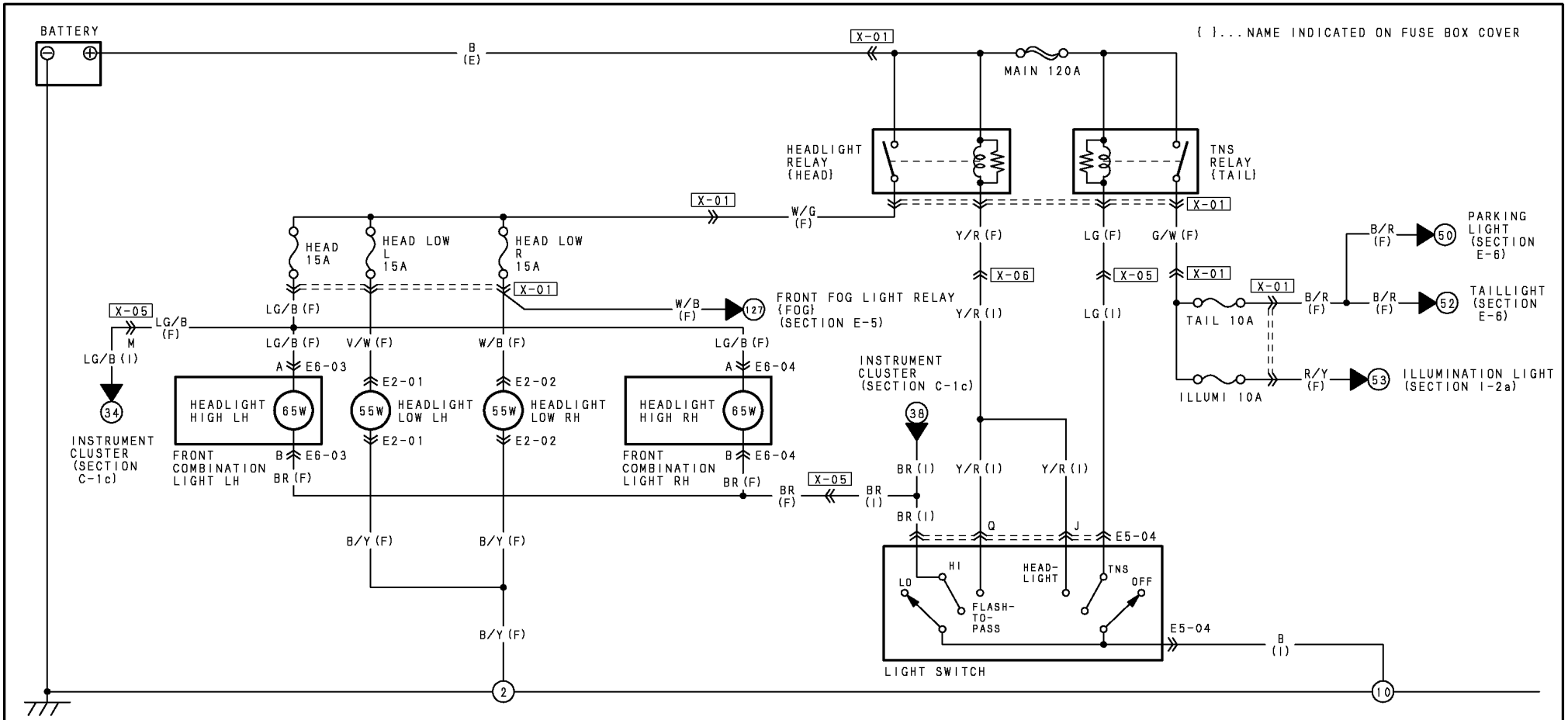
- To prevent electrical shock when replacing the discharge headlight bulb, dry hands thoroughly, and carry out work in an area out of rain.
- When the light switch is on, **approx. 25,000 V** of high voltage passes through the discharge headlight bulb socket. Because of the danger of electrical shock, do not insert fingers or a tester.
- When the headlights are on, high voltage flows around the socket and bulb. When turning on the discharge headlights while working, always leave the headlights in the vehicle-installed condition to prevent electrical shock.



DISCHARGE HEADLIGHT CONTROL MODULE SERVICE WARNINGS

- Because of the danger of electrical shock, when inspecting with a tester, do not inspect the discharge headlight control unit as a single unit or disassemble it.

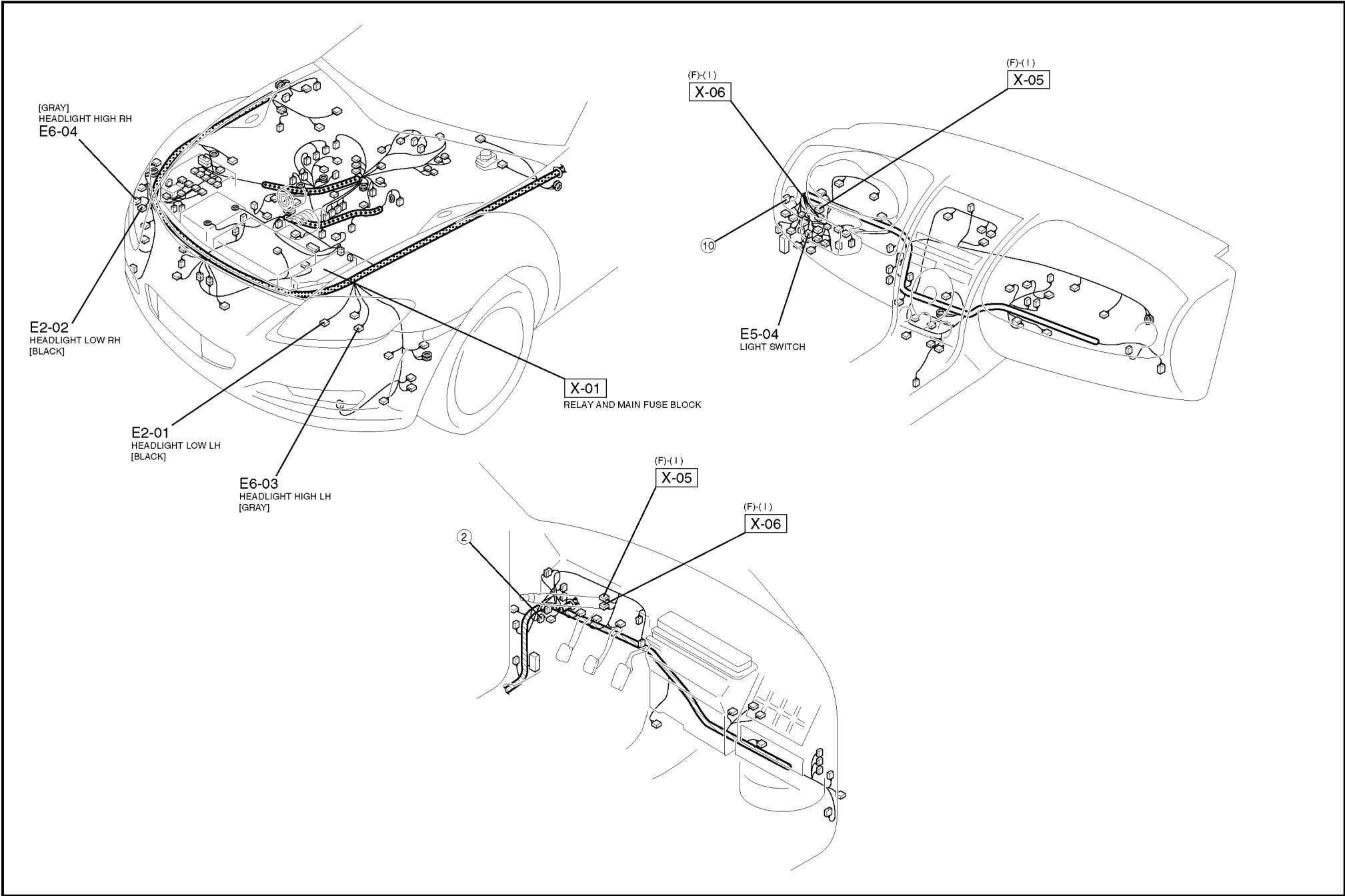


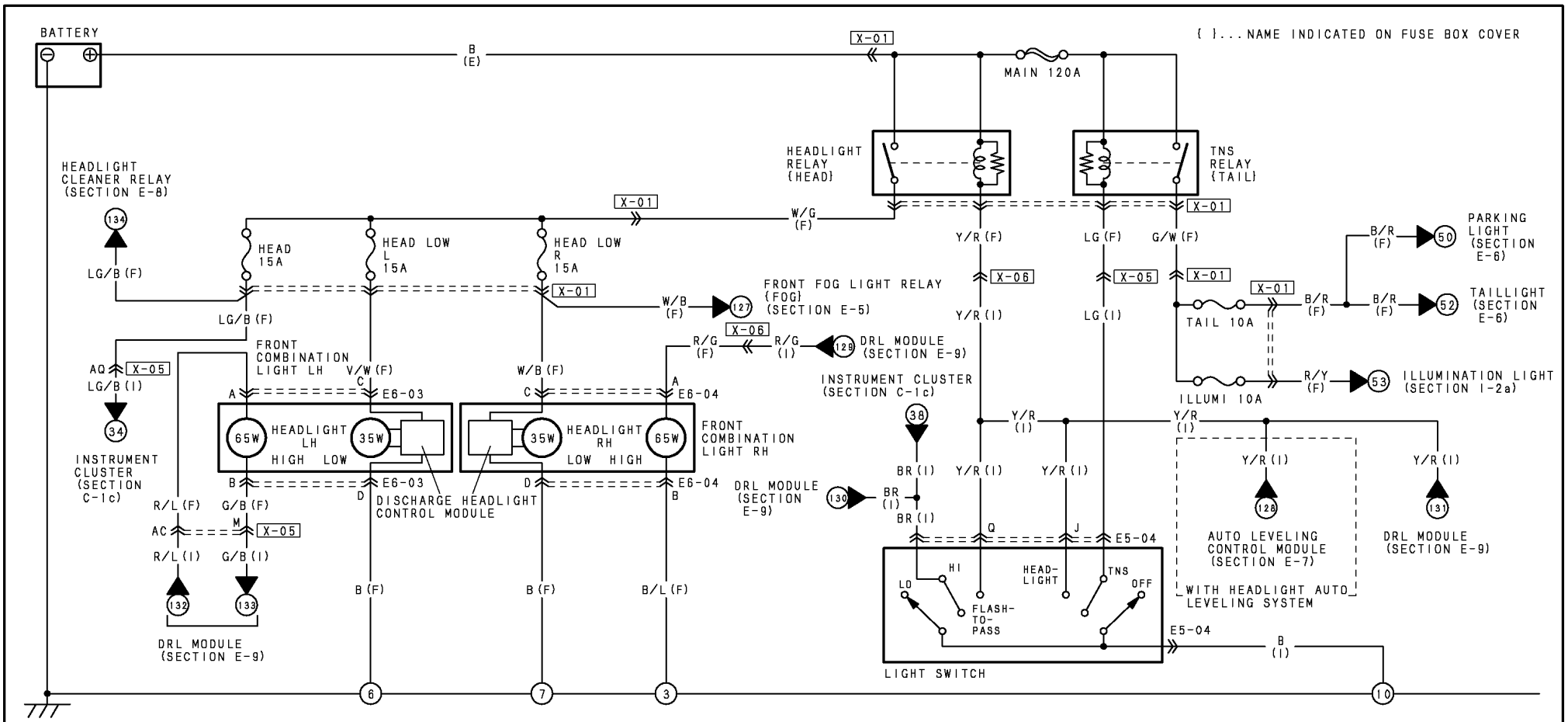


[] ... NAME INDICATED ON FUSE BOX COVER

<p>E2-01 HEADLIGHT LOW LH (F)</p>	<p>E2-02 HEADLIGHT LOW RH (F)</p>	<p>E5-04 LIGHT SWITCH (I)</p>	<p>E6-03 HEADLIGHT HIGH LH (F)</p>	<p>E6-04 HEADLIGHT HIGH RH (F)</p>	

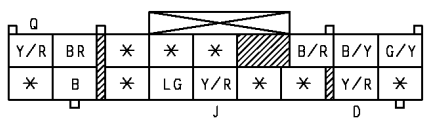
HARNESS SYMBOL:  (F)  (E)  (R)



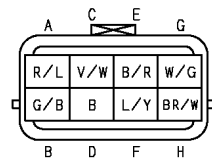


{ } ... NAME INDICATED ON FUSE BOX COVER

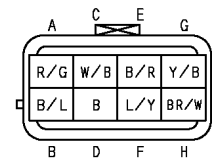
E5-04 LIGHT SWITCH (I)

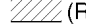


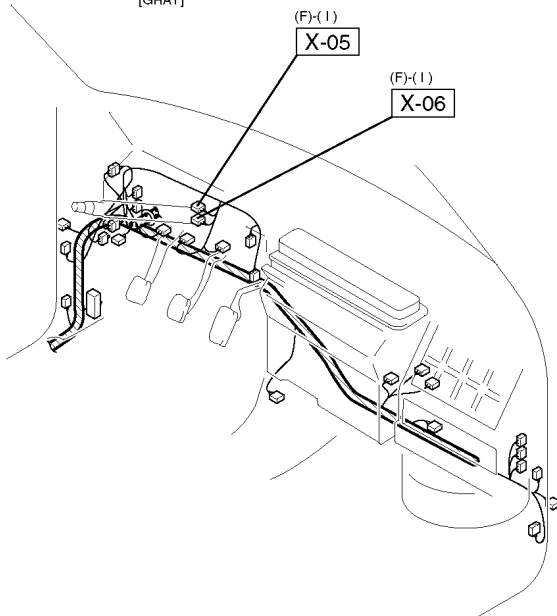
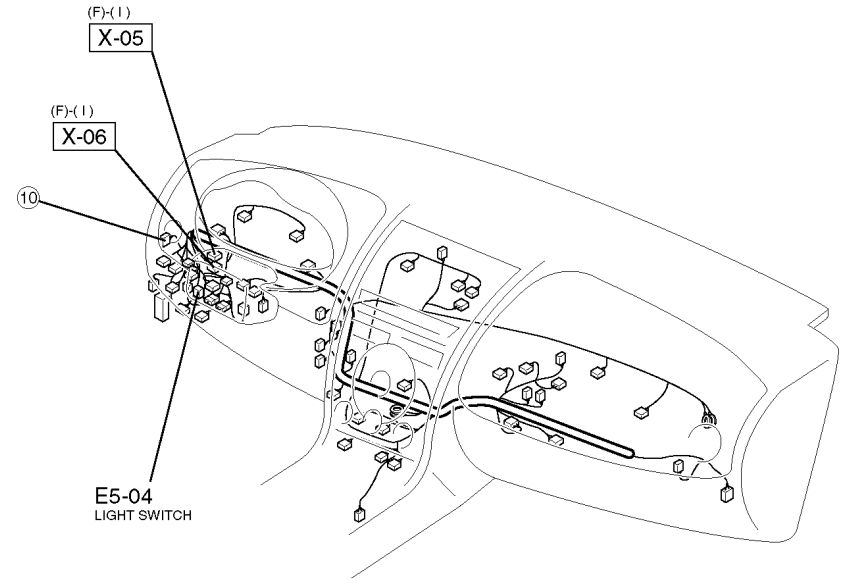
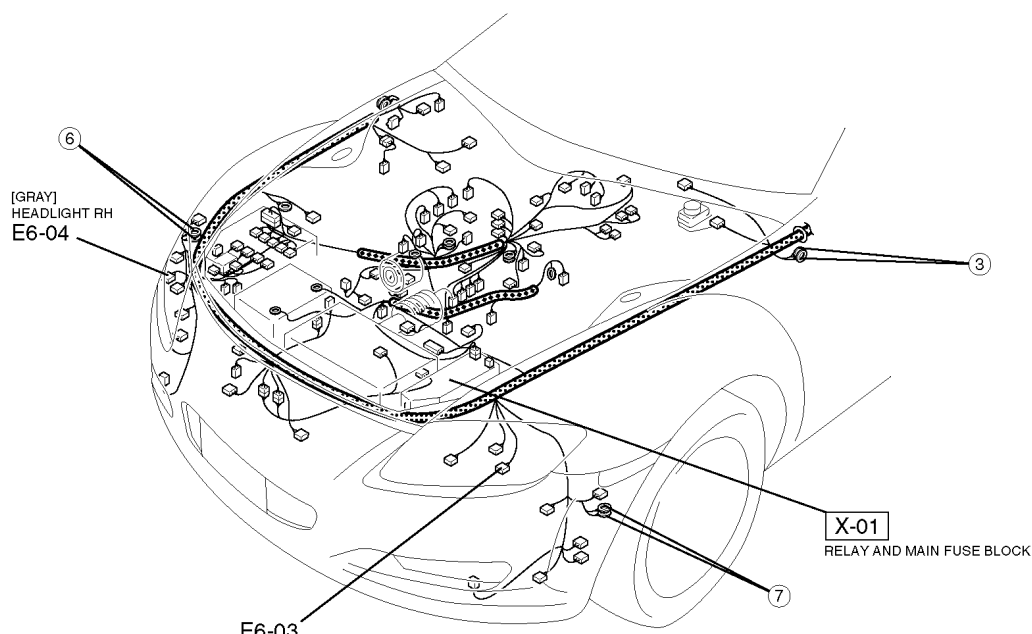
E6-03 HEADLIGHT LH (F)



E6-04 HEADLIGHT RH (F)



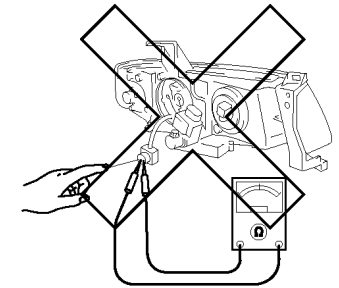
HARNESS SYMBOL:  (F)  (E)  (R)



DISCHARGE HEADLIGHT SERVICE WARNINGS

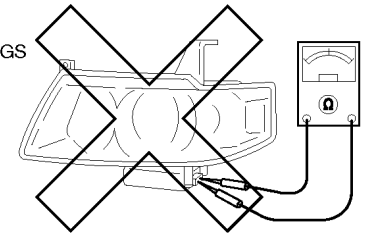
DISCHARGE HEADLIGHT BULB SERVICE WARNINGS

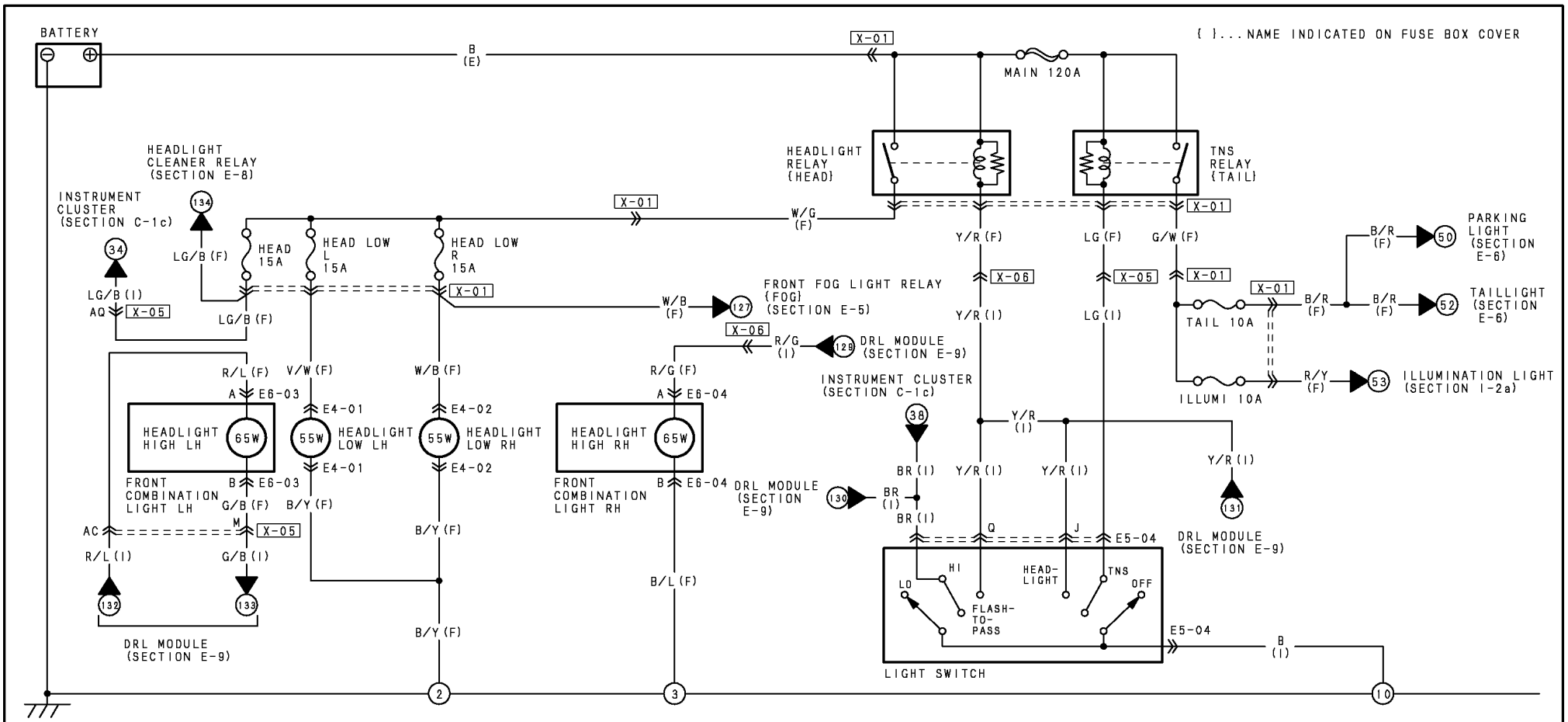
- To prevent electrical shock when replacing the discharge headlight bulb, dry hands thoroughly, and carry out work in an area out of rain.
- When the light switch is on, **approx. 25,000 V** of high voltage passes through the discharge headlight bulb socket. Because of the danger of electrical shock, do not insert fingers or a tester.
- When the headlights are on, high voltage flows around the socket and bulb. When turning on the discharge headlights while working, always leave the headlights in the vehicle-installed condition to prevent electrical shock.



DISCHARGE HEADLIGHT CONTROL MODULE SERVICE WARNINGS

- Because of the danger of electrical shock, when inspecting with a tester, do not inspect the discharge headlight control unit as a single unit or disassemble it.

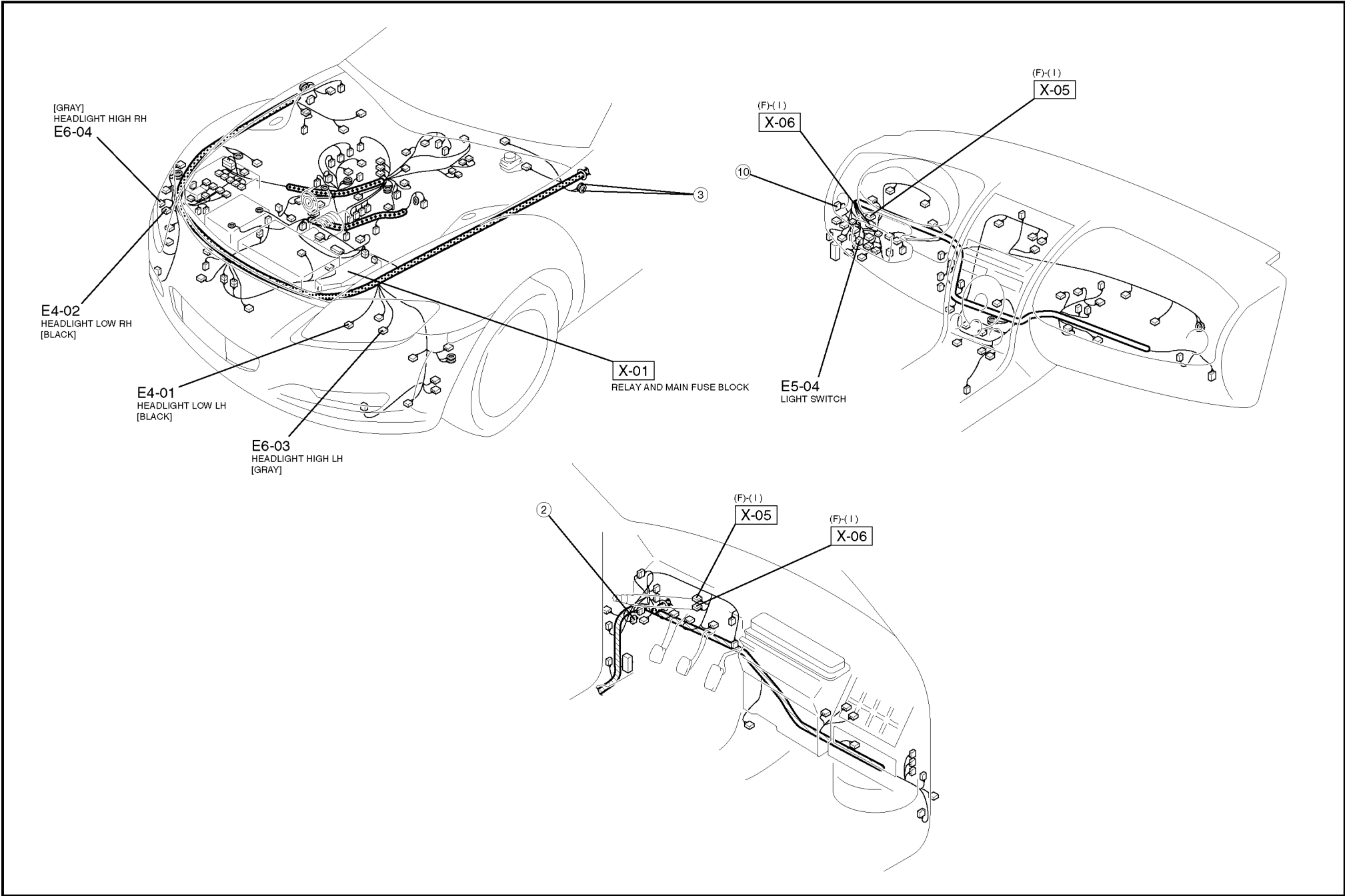


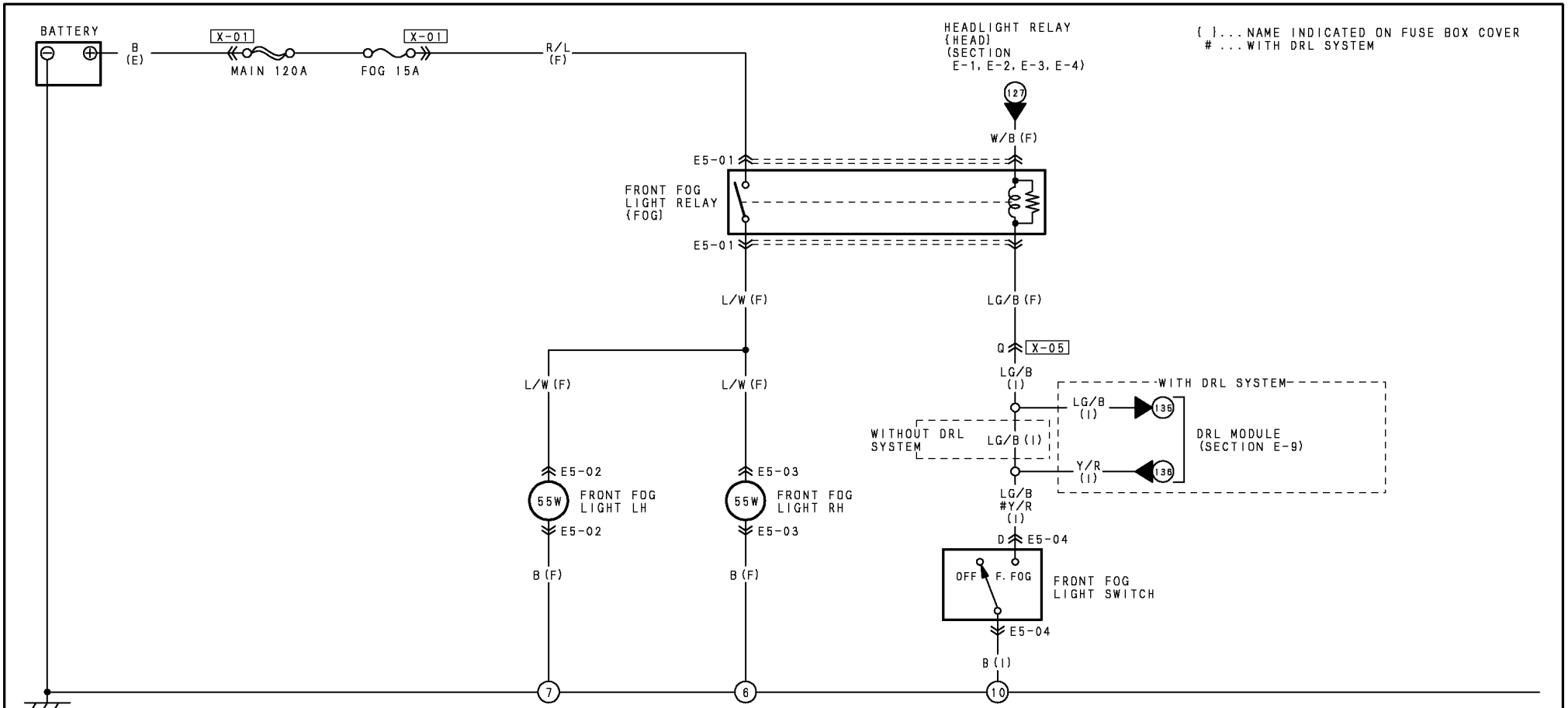


[] ... NAME INDICATED ON FUSE BOX COVER

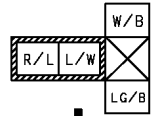
E4-01 HEADLIGHT LOW LH (F)	E4-02 HEADLIGHT LOW RH (F)	E5-04 LIGHT SWITCH (I)	E6-03 HEADLIGHT HIGH LH (F)	E6-04 HEADLIGHT HIGH RH (F)	

HARNESS SYMBOL:  (F)  (E)  (R)



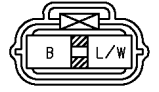


E5-01 FRONT FOG LIGHT RELAY (FOG) (F)

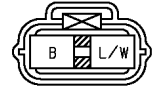


FRONT
NOTE: THIS IS THE CONNECTOR AS SEEN FROM THE TERMINAL SIDE.

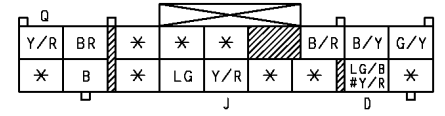
E5-02 FRONT FOG LIGHT LH (F)



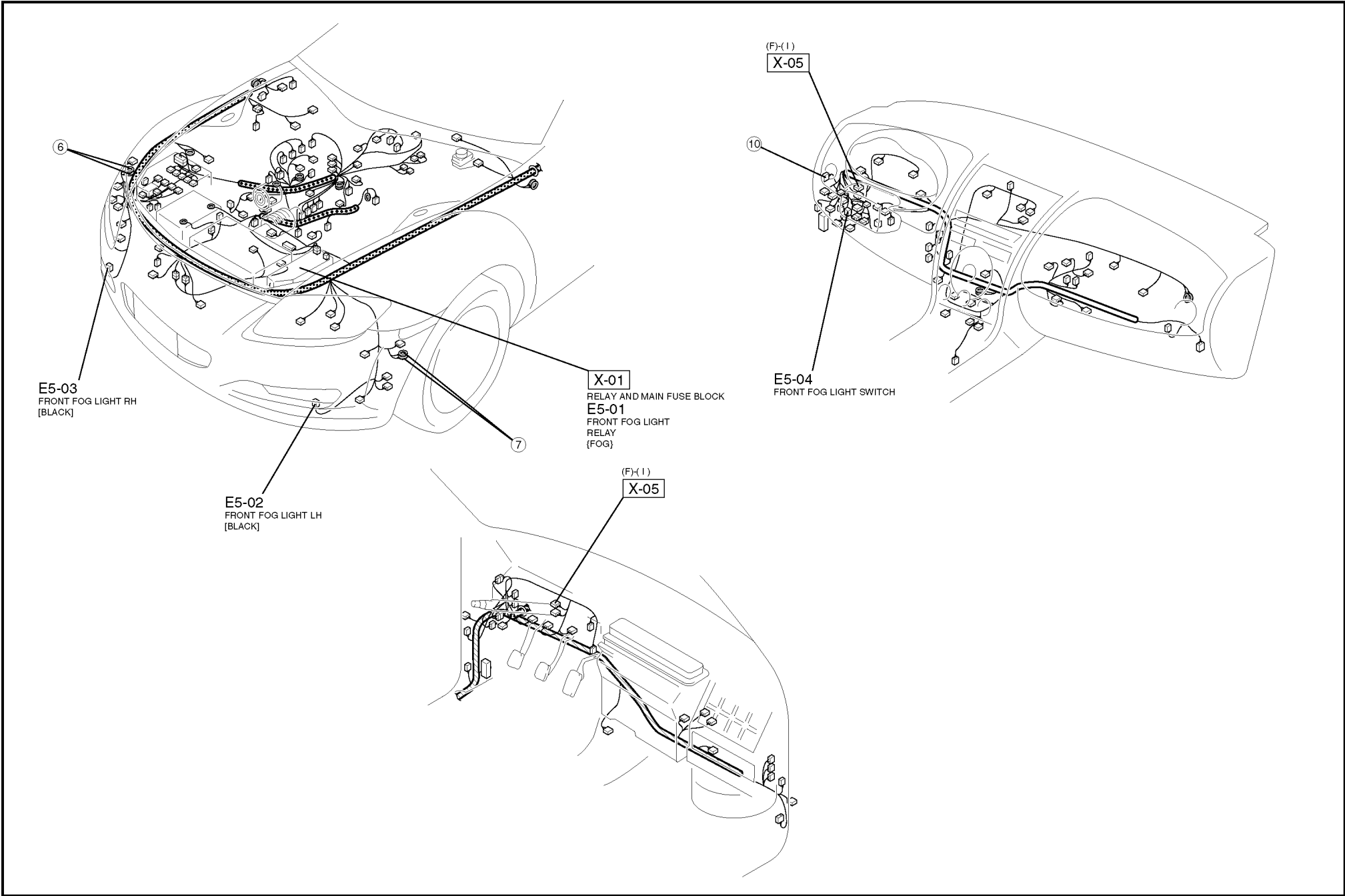
E5-03 FRONT FOG LIGHT RH (F)

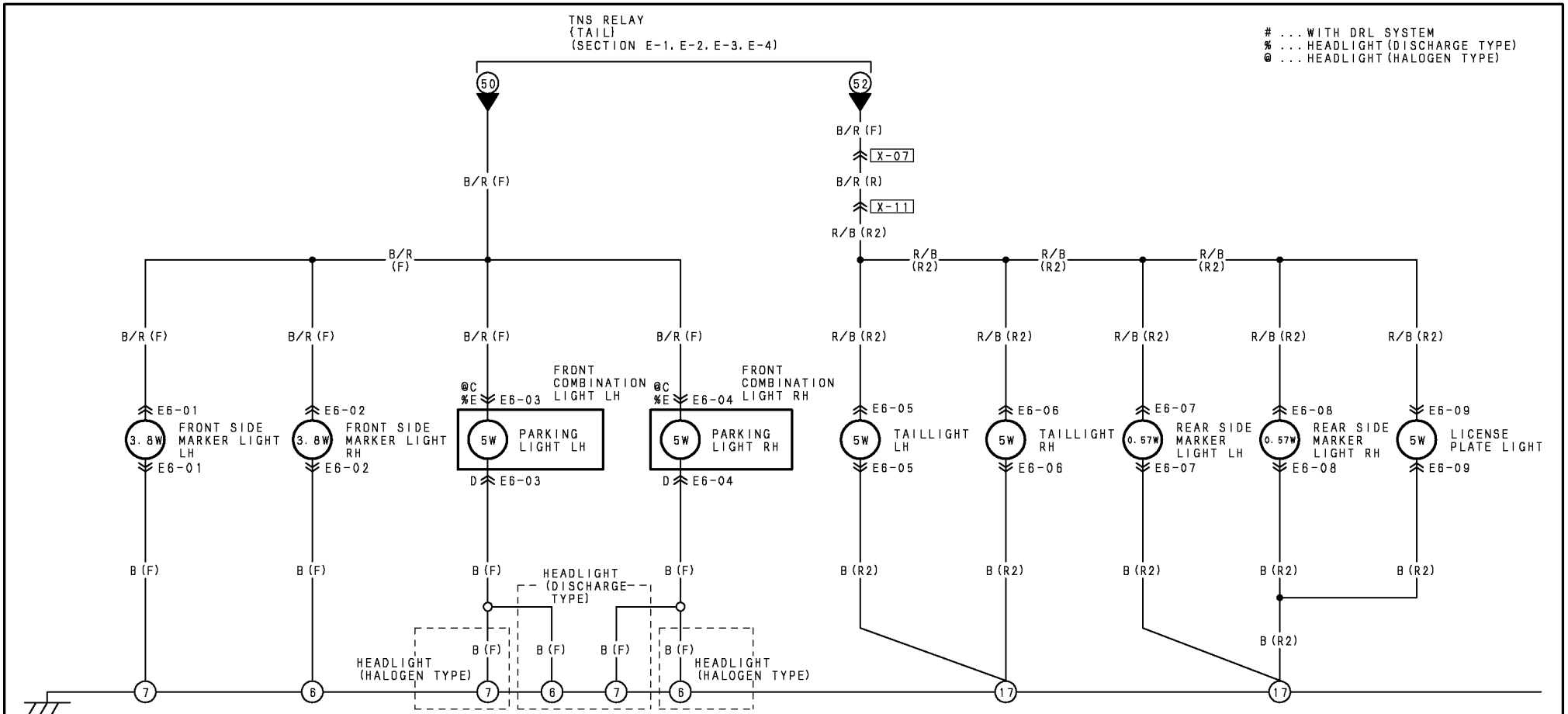


E5-04 FRONT FOG LIGHT SWITCH (1)



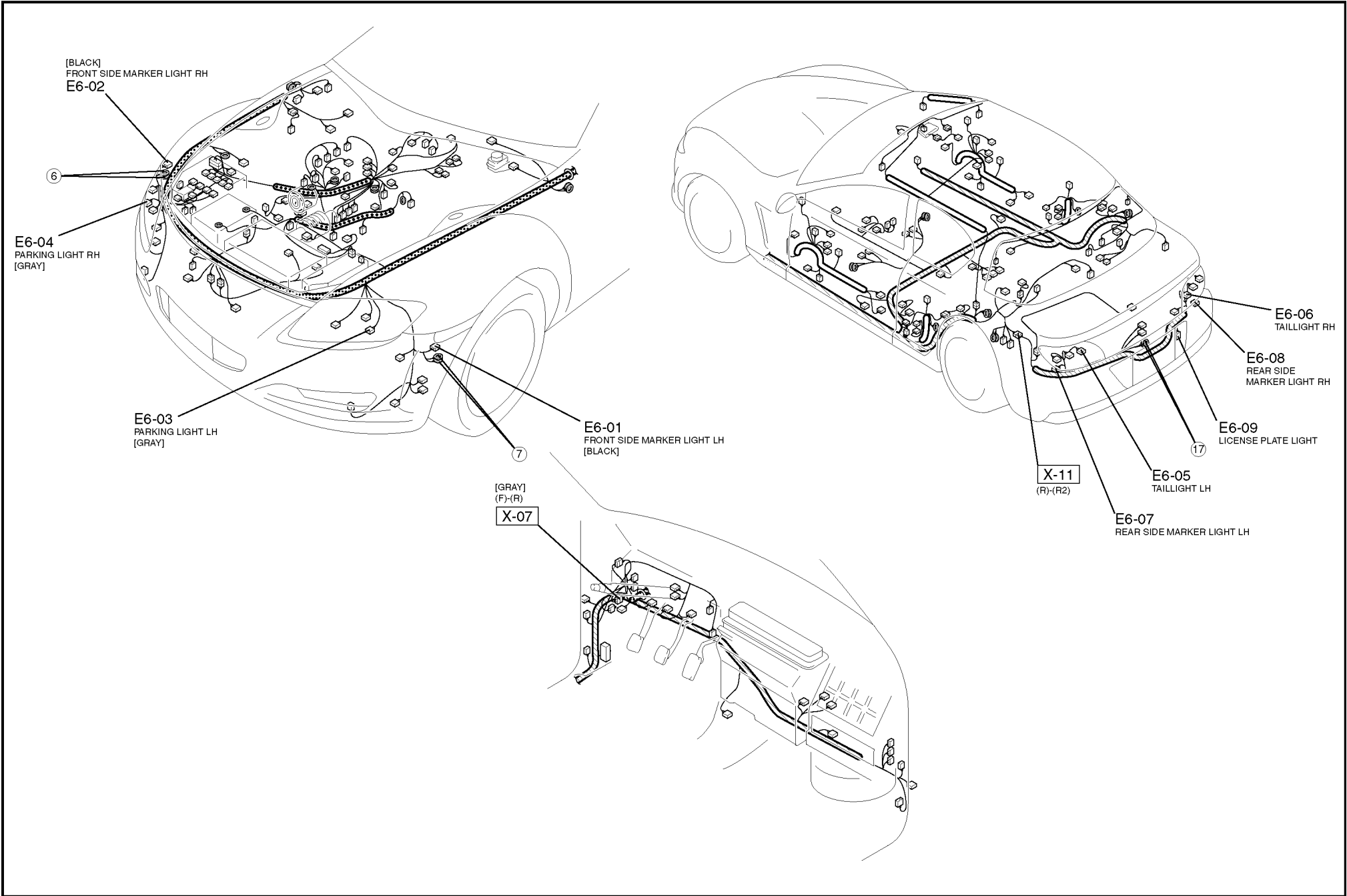
HARNESS SYMBOL:  (F)  (E)  (R)

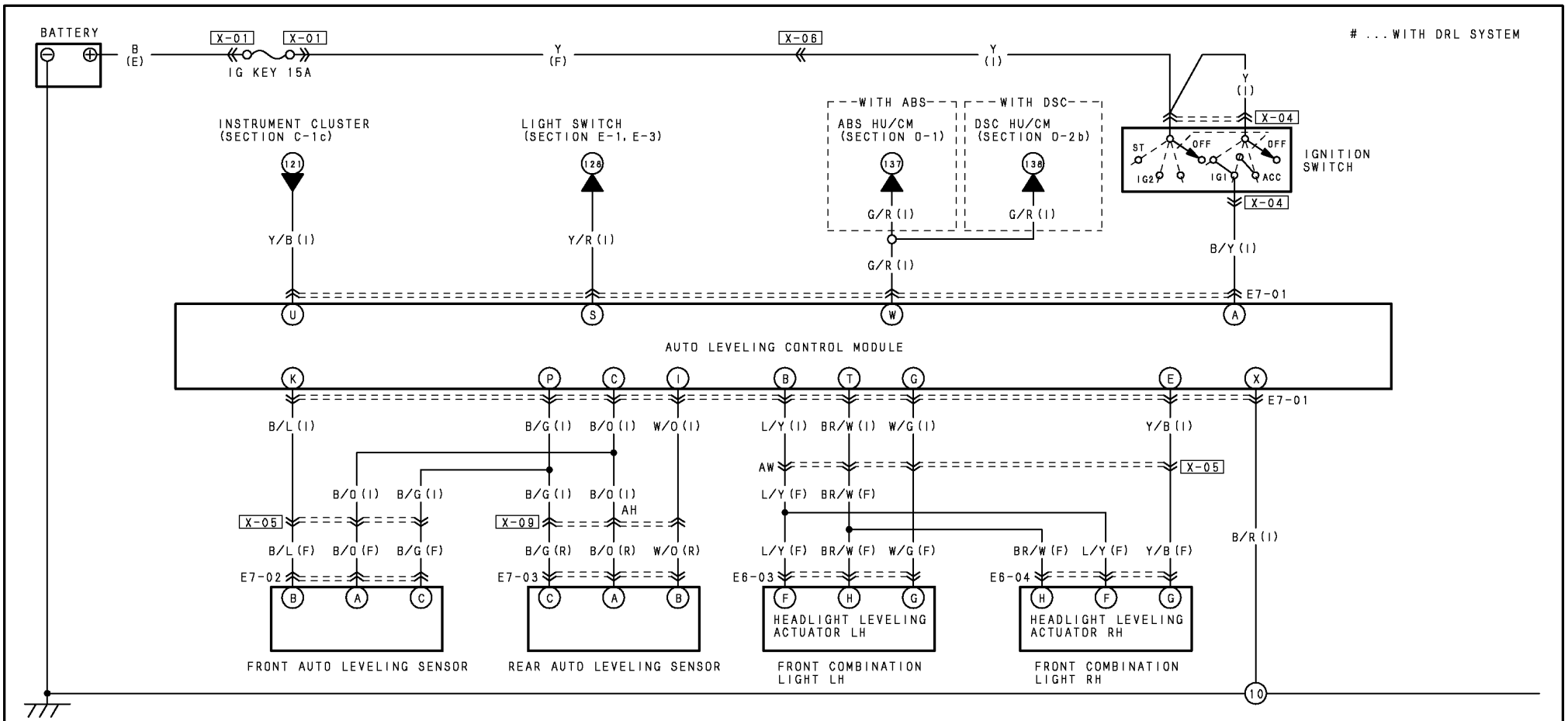




<p>E6-01 FRONT SIDE MARKER LIGHT LH (F)</p>	<p>E6-02 FRONT SIDE MARKER LIGHT RH (F)</p>	<p>E6-03 PARKING LIGHT LH (F)</p> <p>HEADLIGHT (DISCHARGE TYPE)</p>	<p>E6-04 PARKING LIGHT RH (F)</p> <p>HEADLIGHT (HALOGEN TYPE)</p>	<p>E6-05 TAILLIGHT LH (R2)</p>	<p>E6-06 TAILLIGHT RH (R2)</p>
<p>E6-07 REAR SIDE MARKER LIGHT LH (R2)</p>	<p>E6-08 REAR SIDE MARKER LIGHT RH (R2)</p>	<p>E6-09 LICENSE PLATE LIGHT (R2)</p>			

HARNESS SYMBOL:  (F)  (E)  (R)

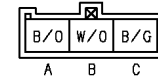
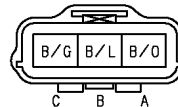
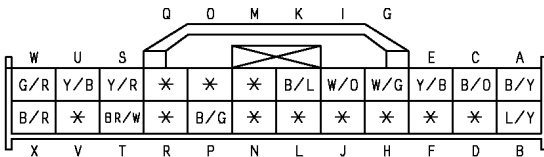




E7-01 AUTO LEVELING CONTROL MODULE (I)

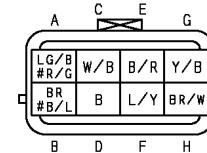
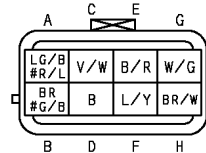
E7-02 FRONT AUTO LEVELING SENSOR (F)

E7-03 REAR AUTO LEVELING SENSOR (R)

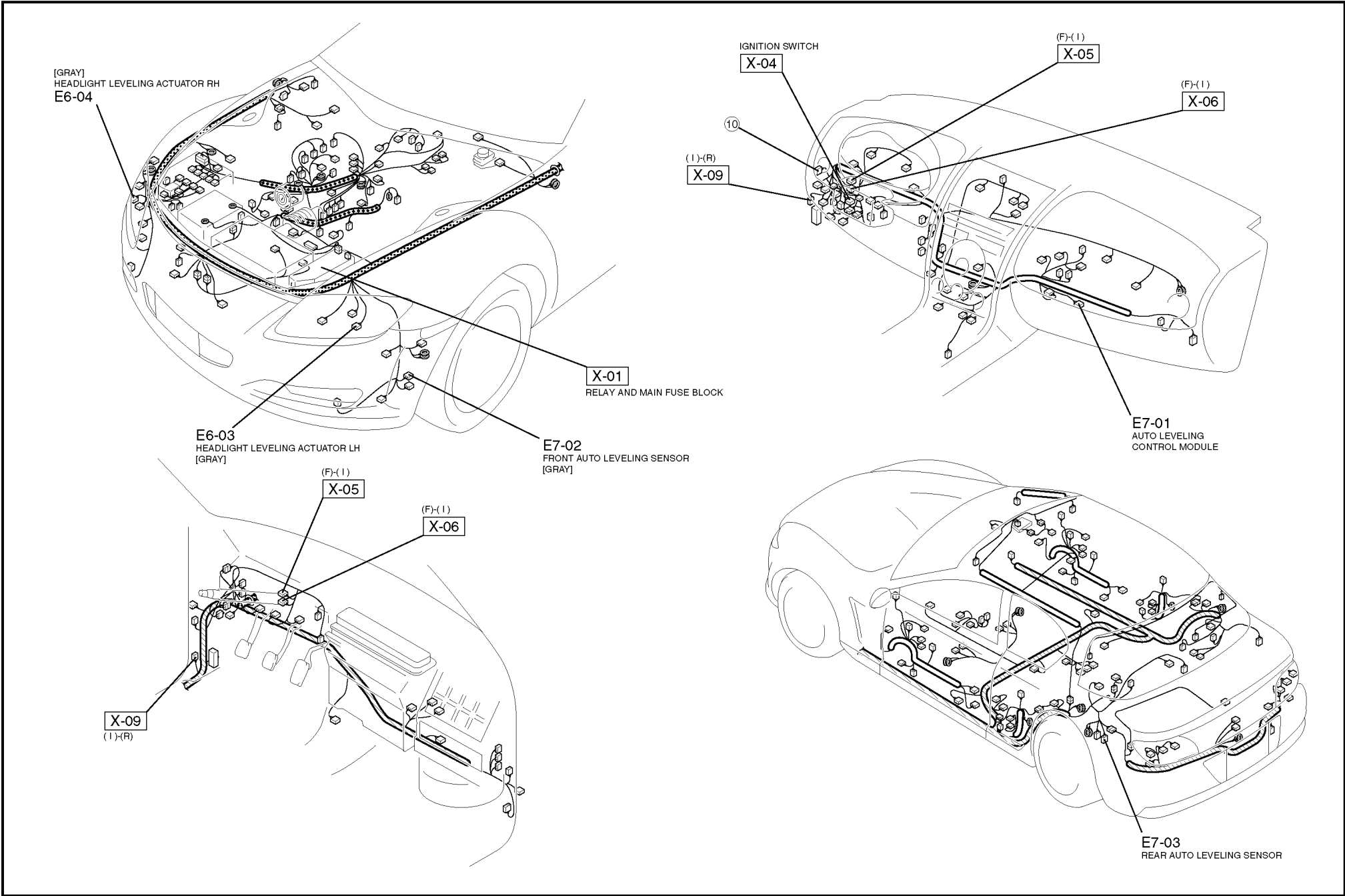


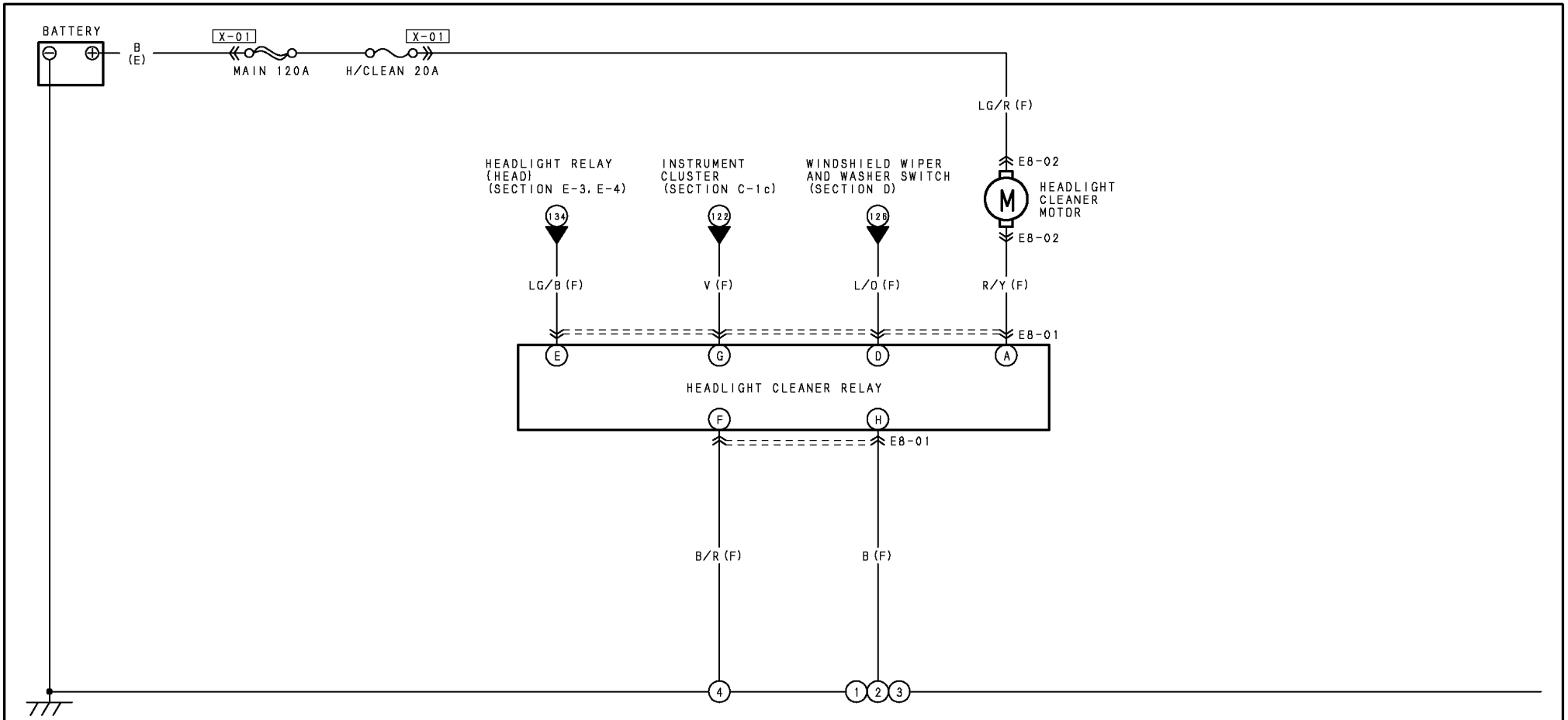
E6-03 HEADLIGHT LEVELING ACTUATOR LH (F)

E6-04 HEADLIGHT LEVELING ACTUATOR RH (F)



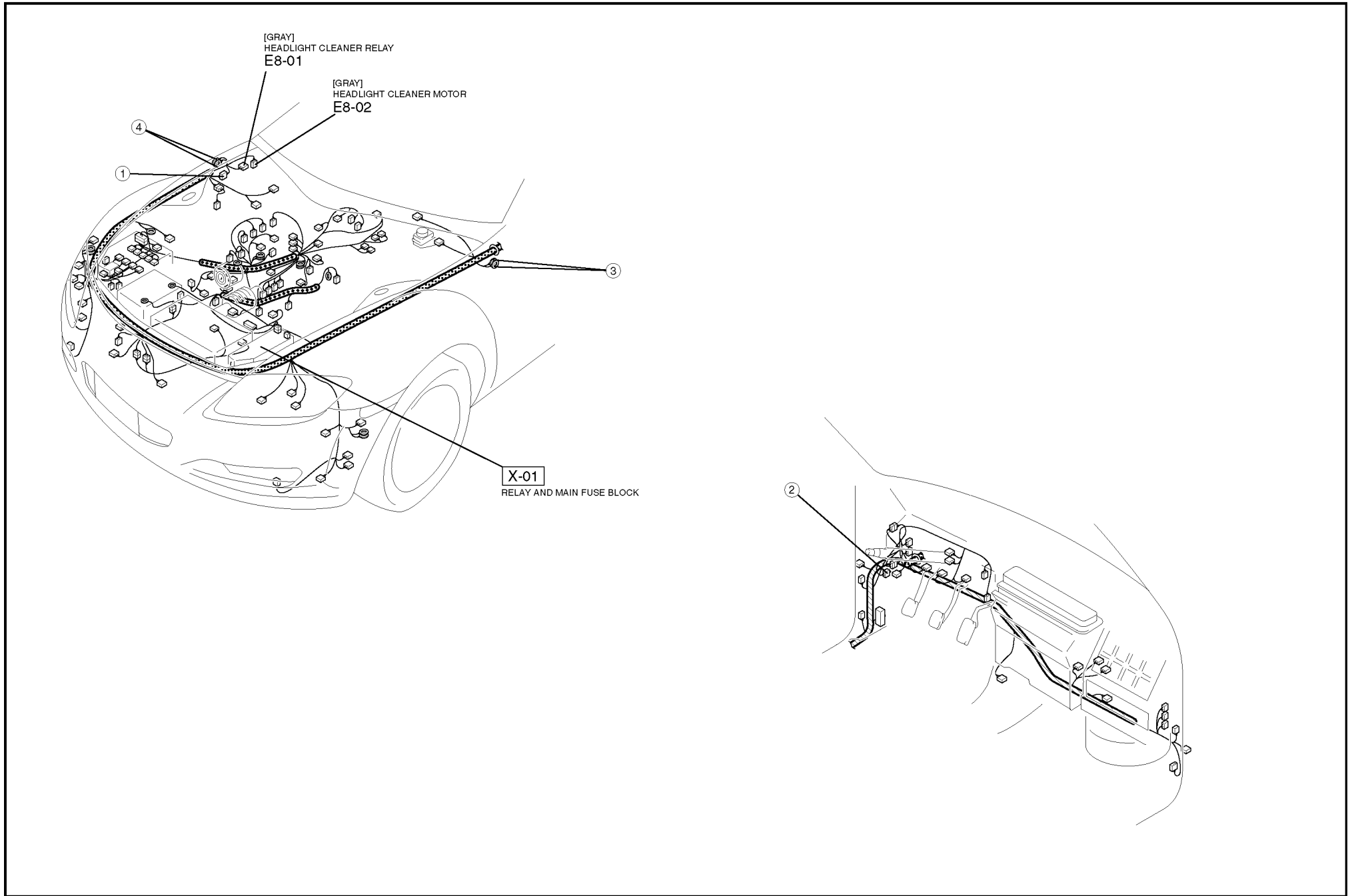
HARNESS SYMBOL:  (F)  (E)  (R)

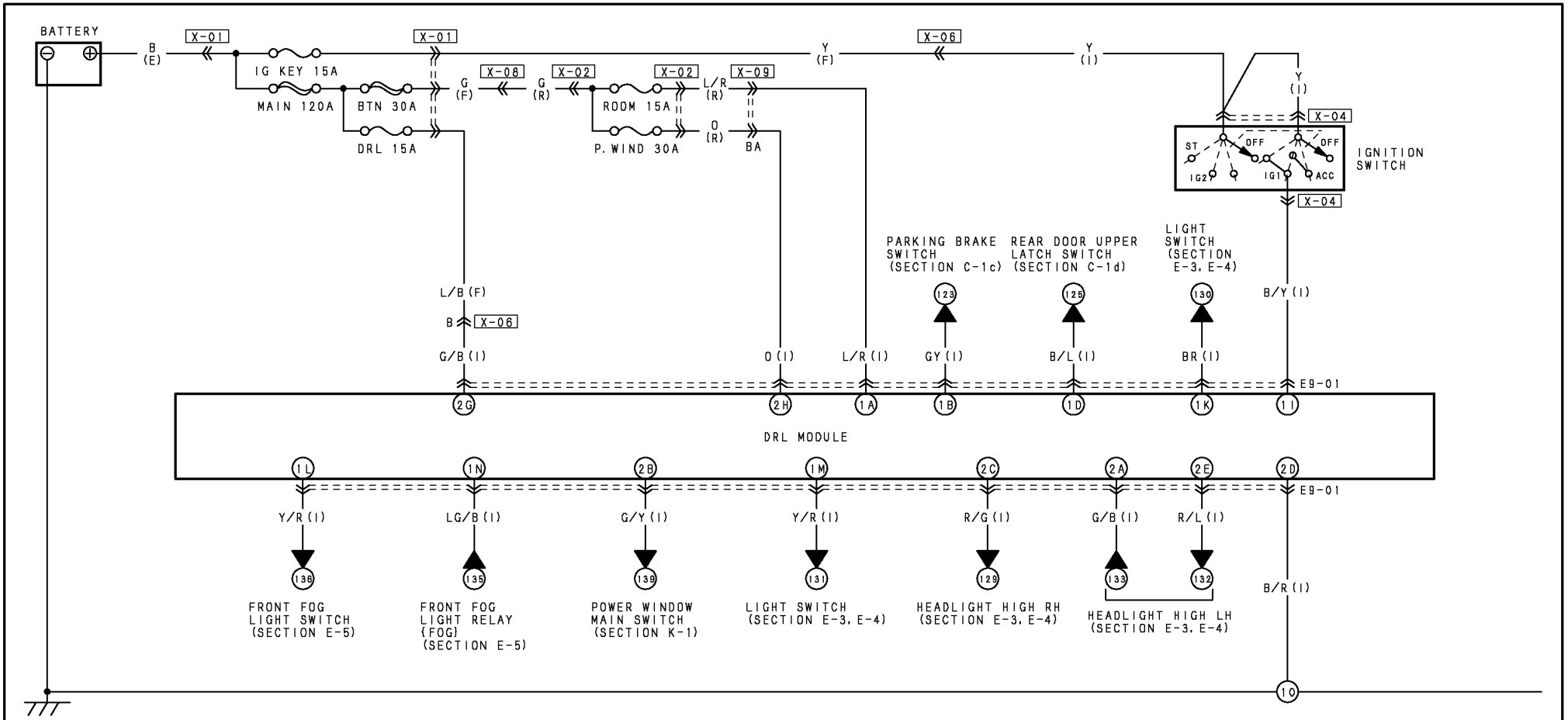




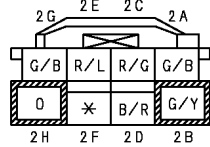
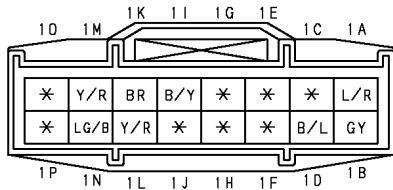
<p>E8-01 HEADLIGHT CLEANER RELAY (F)</p>	<p>E8-02 HEADLIGHT CLEANER MOTOR (F)</p>				

HARNESS SYMBOL:  (F)  (E)  (R)

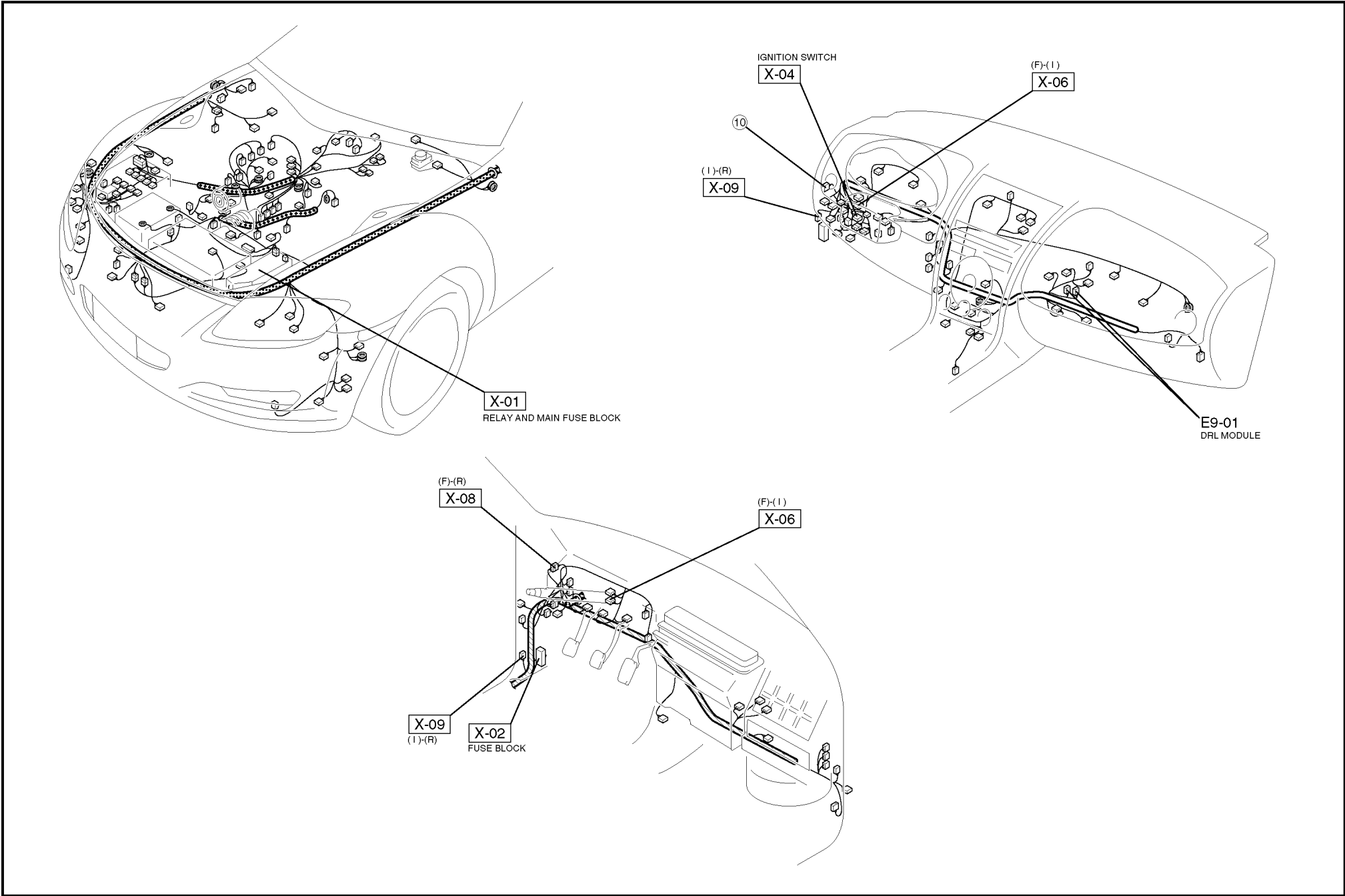


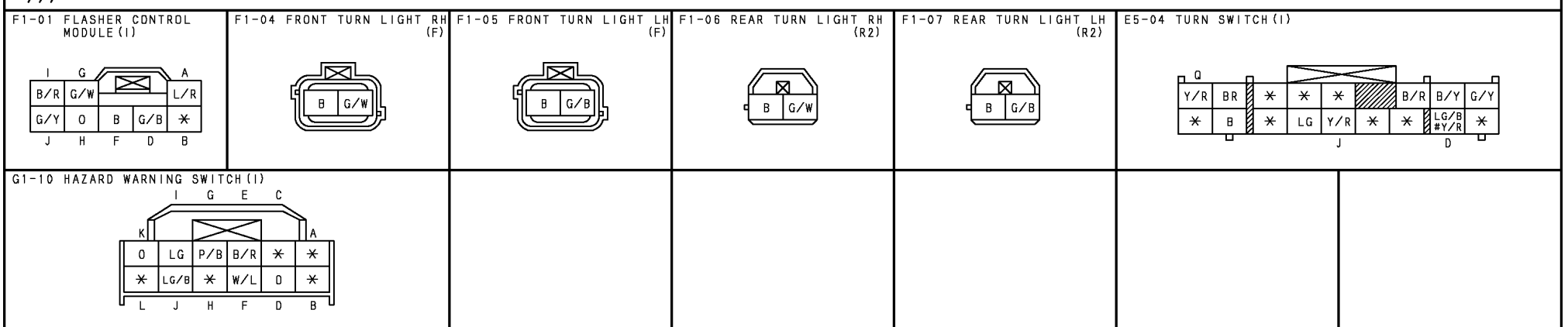
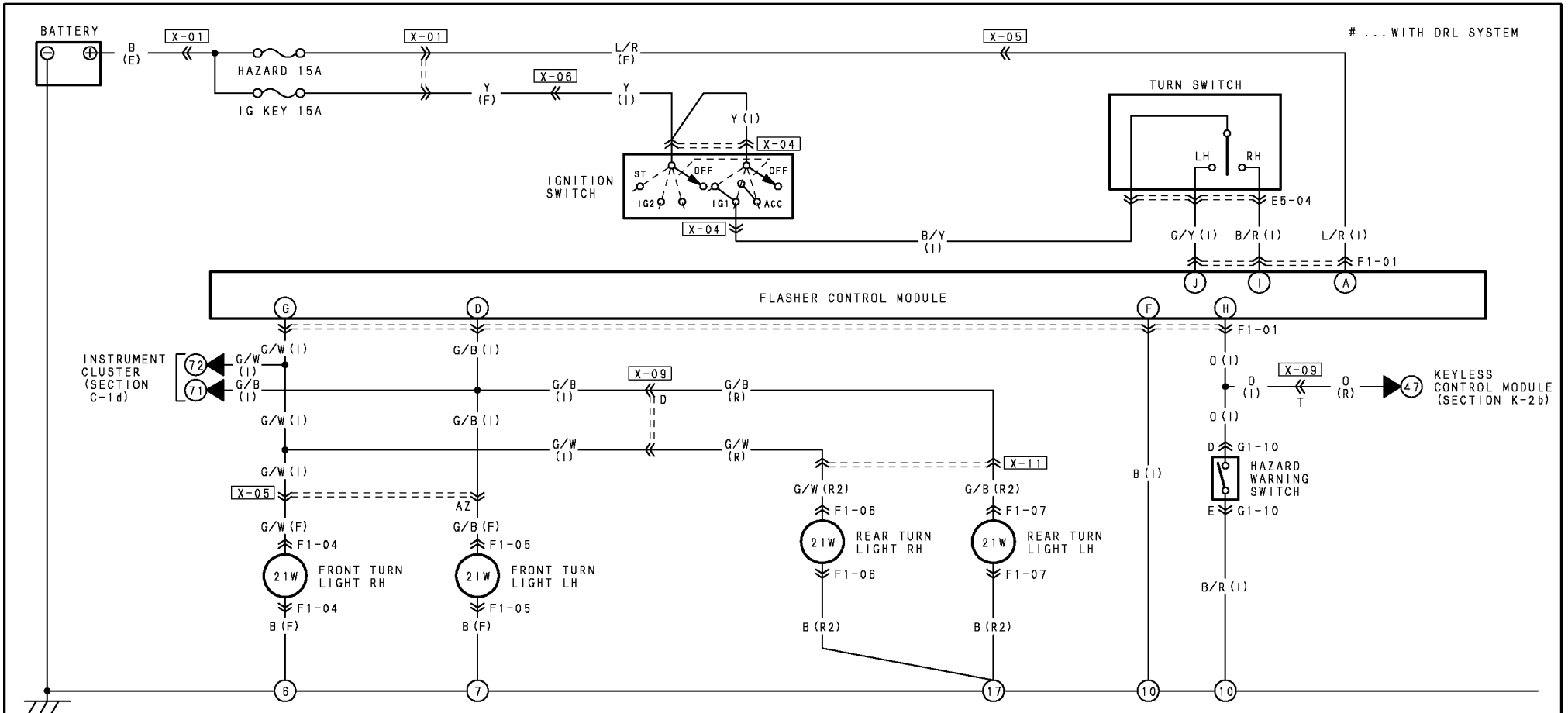


E9-01 DRL MODULE (1)

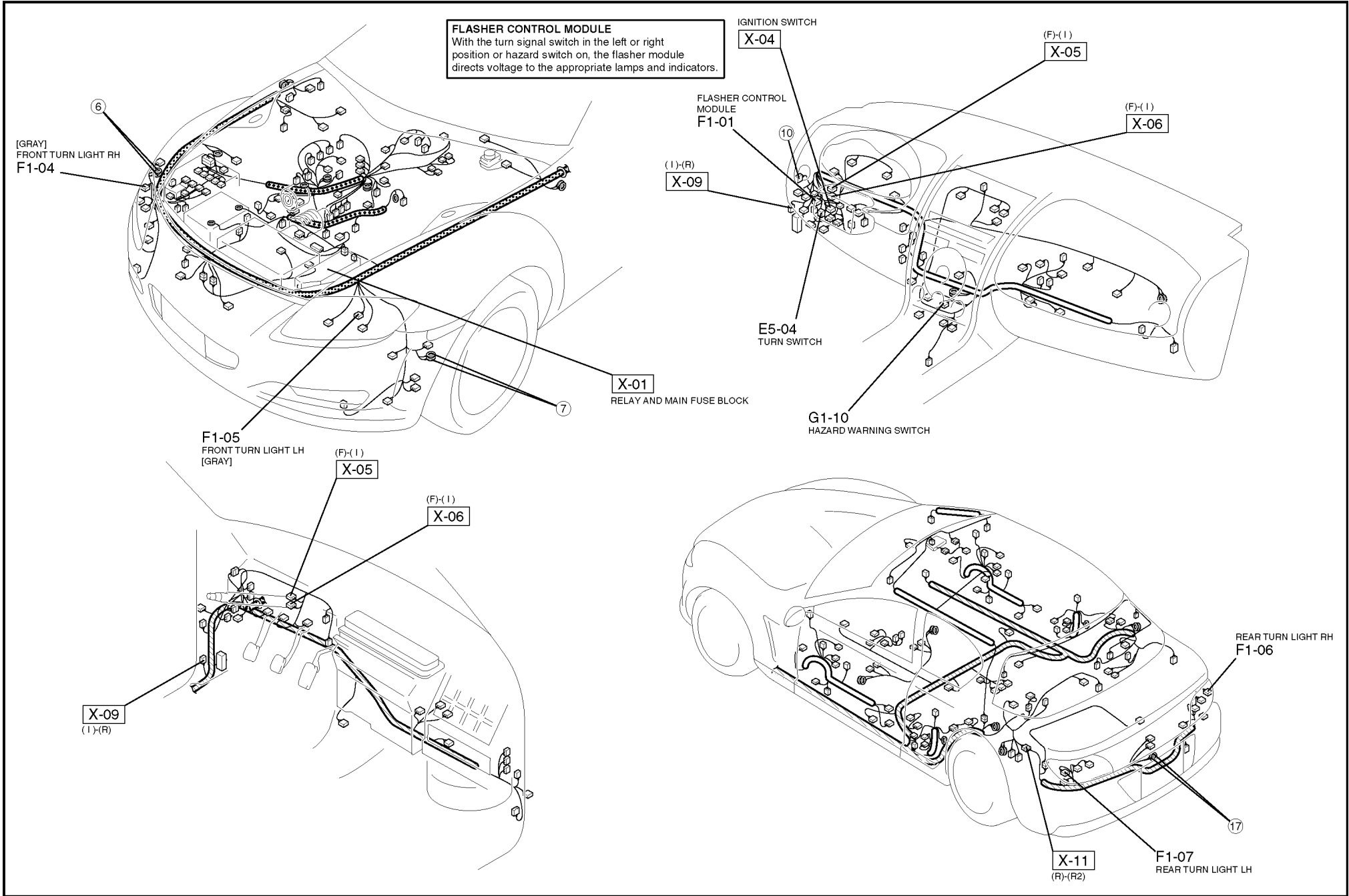


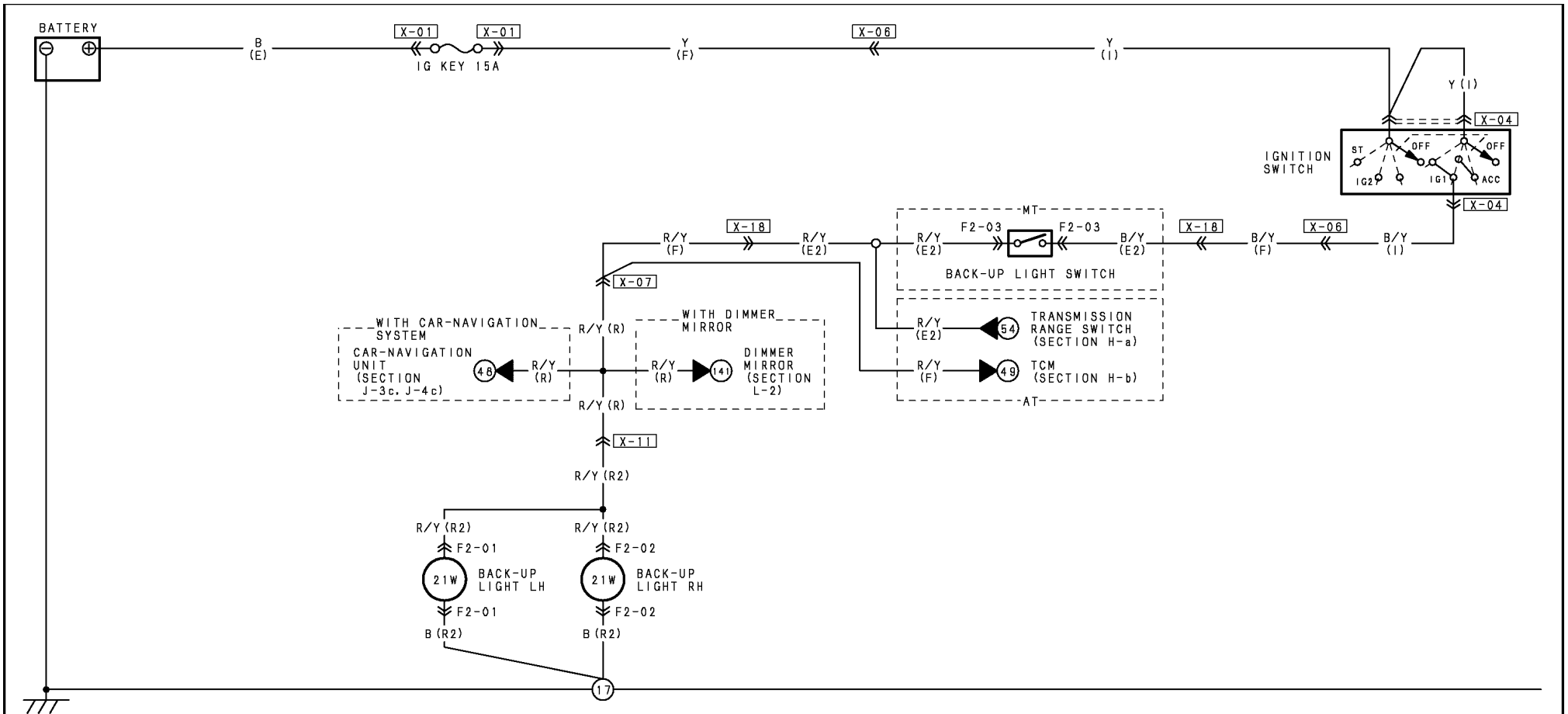
HARNESS SYMBOL:  (F)  (E)  (R)

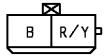
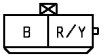





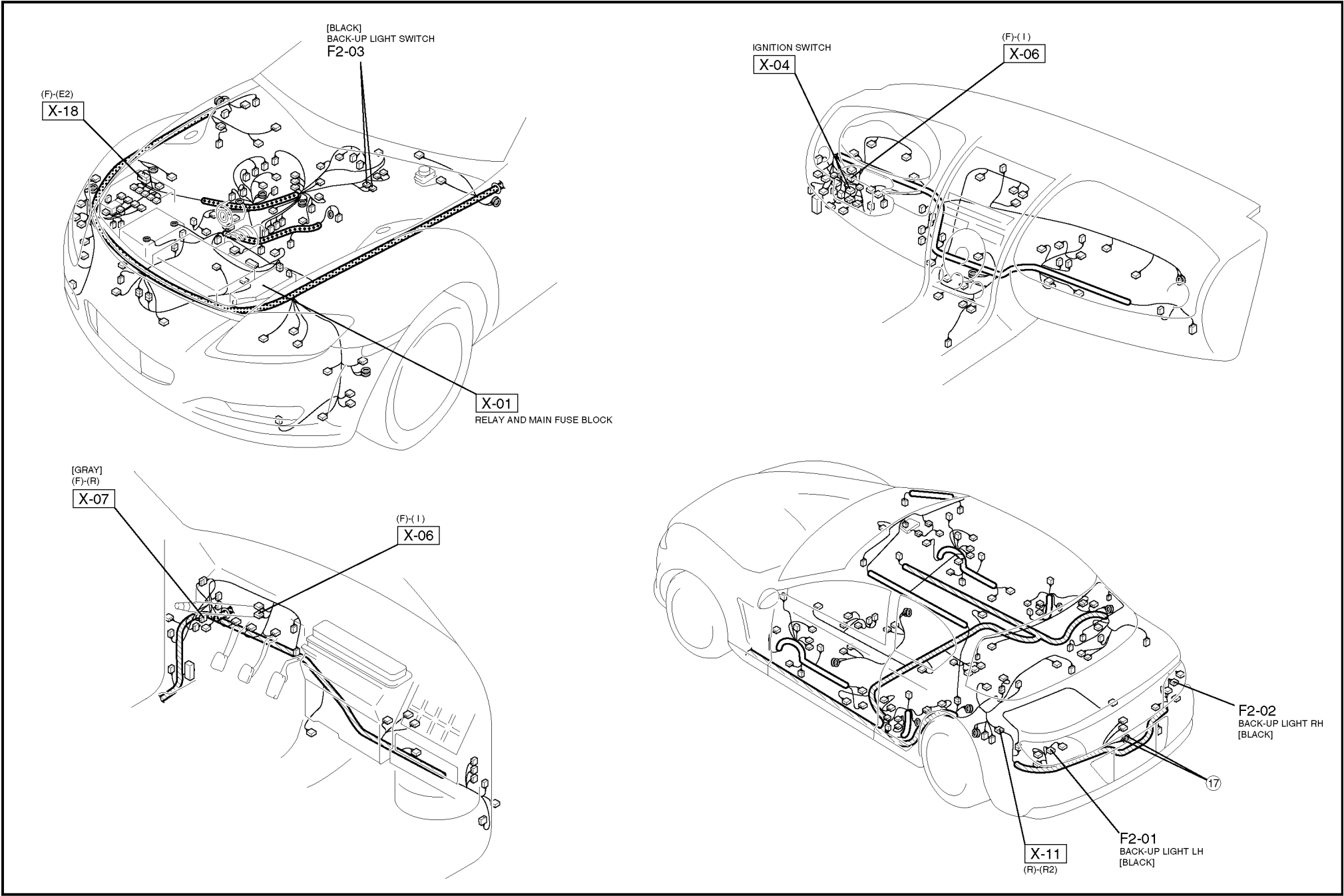
HARNESS SYMBOL:  (F)  (E)  (R)

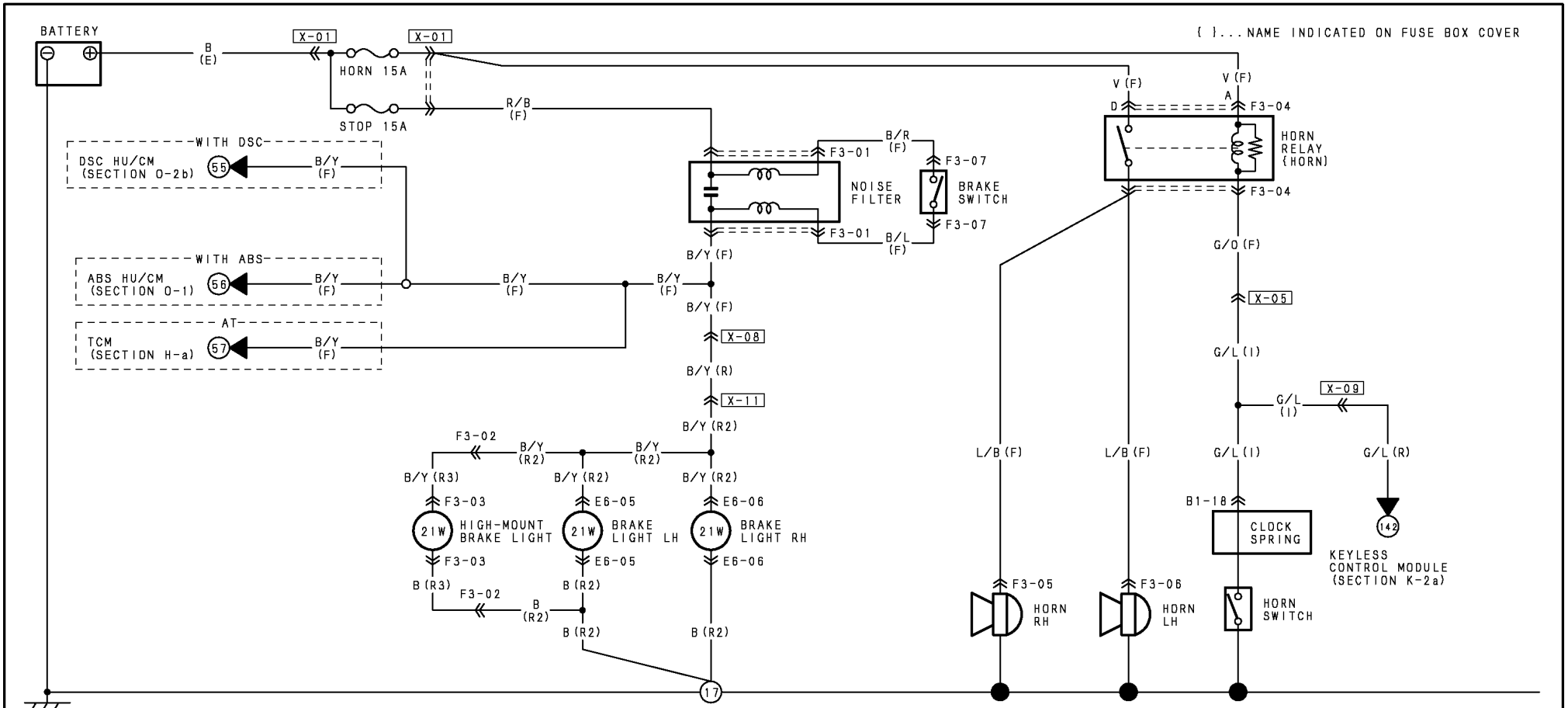




F2-01 BACK-UP LIGHT LH (R2) 	F2-02 BACK-UP LIGHT RH (R2) 	F2-03 BACK-UP LIGHT SWITCH (E2) 				

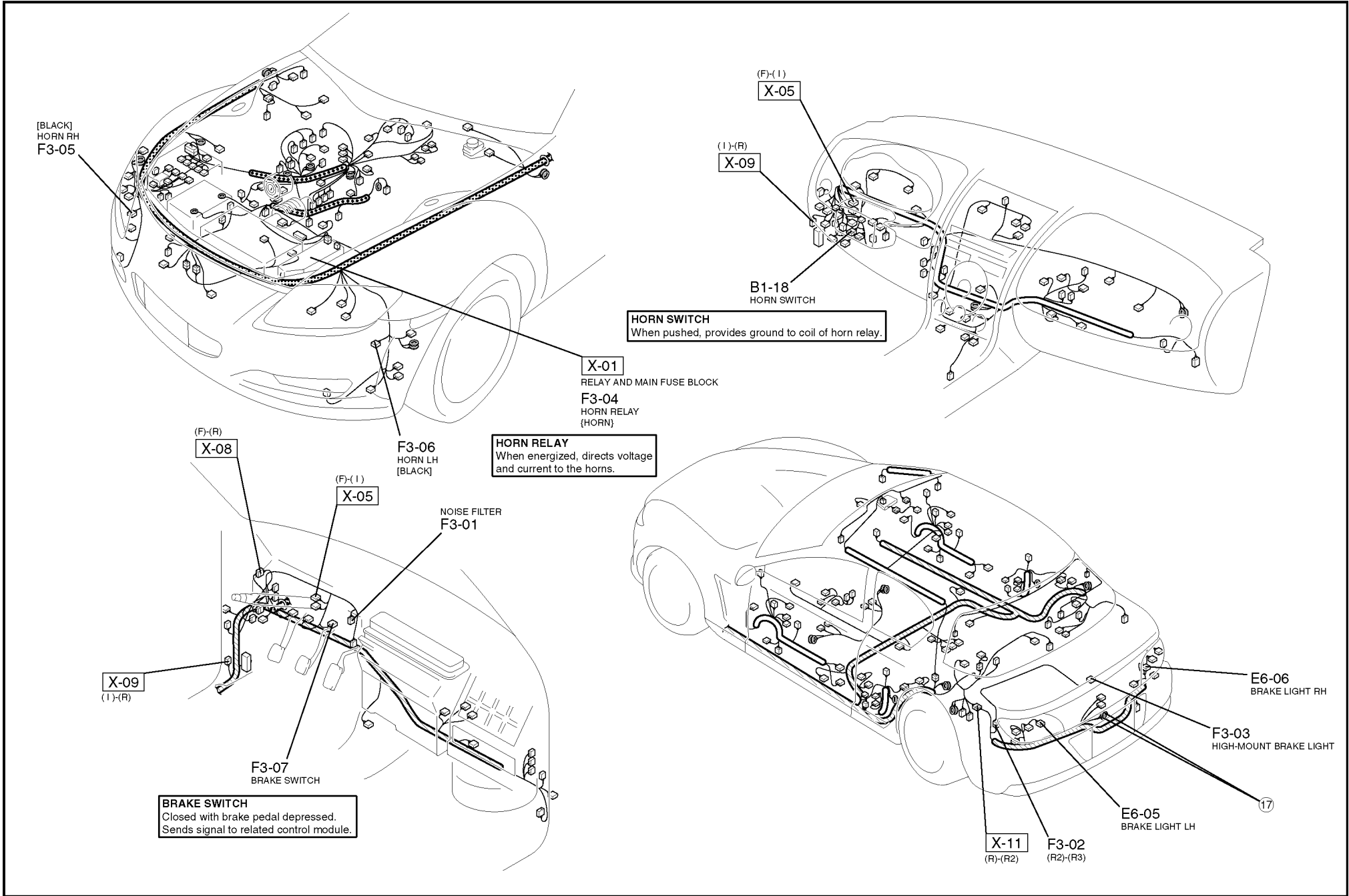
HARNESS SYMBOL:  (F)  (E)  (R)



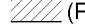


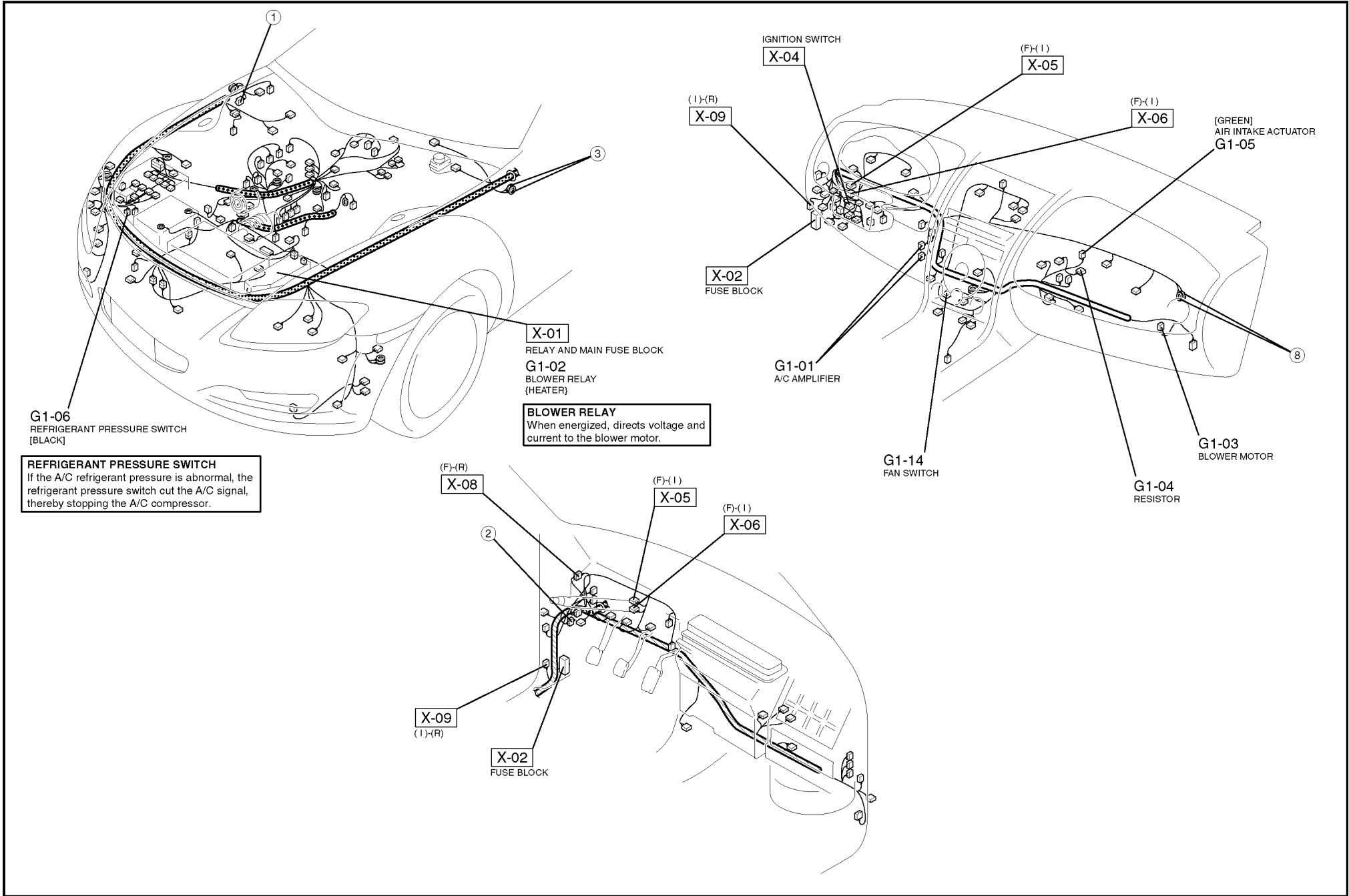


<p>F3-01 NOISE FILTER (F)</p>	<p>F3-02 REAR No. 2 (R2) - REAR No. 3 (R3)</p>	<p>F3-03 HIGH-MOUNT BRAKE LIGHT (R3)</p>	<p>F3-04 HORN RELAY (HORN) (F)</p> <p>FRONT NOTE: THIS IS THE CONNECTOR AS SEEN FROM THE TERMINAL SIDE.</p>	<p>F3-05 HORN RH (F)</p> <p>F3-06 HORN LH (F)</p> <p>E6-06 BRAKE LIGHT RH (R2)</p>	<p>F3-07 BRAKE SWITCH (F)</p> <p>B1-18 HORN SWITCH (I) (CLOCK SPRING)</p>

HARNESS SYMBOL:  (F)  (E)  (R)



HARNESS SYMBOL:  (F)  (E)  (R)



G1-06
REFRIGERANT PRESSURE SWITCH
[BLACK]

REFRIGERANT PRESSURE SWITCH
If the A/C refrigerant pressure is abnormal, the refrigerant pressure switch cut the A/C signal, thereby stopping the A/C compressor.

X-01
RELAY AND MAIN FUSE BLOCK
G1-02
BLOWER RELAY
{HEATER}

BLOWER RELAY
When energized, directs voltage and current to the blower motor.

IGNITION SWITCH
X-04

(1)-(R)
X-09

X-02
FUSE BLOCK

G1-01
A/C AMPLIFIER

(F)-(1)
X-05

(F)-(1)
X-06

[GREEN]
AIR INTAKE ACTUATOR
G1-05

G1-03
BLOWER MOTOR

G1-04
RESISTOR

G1-14
FAN SWITCH

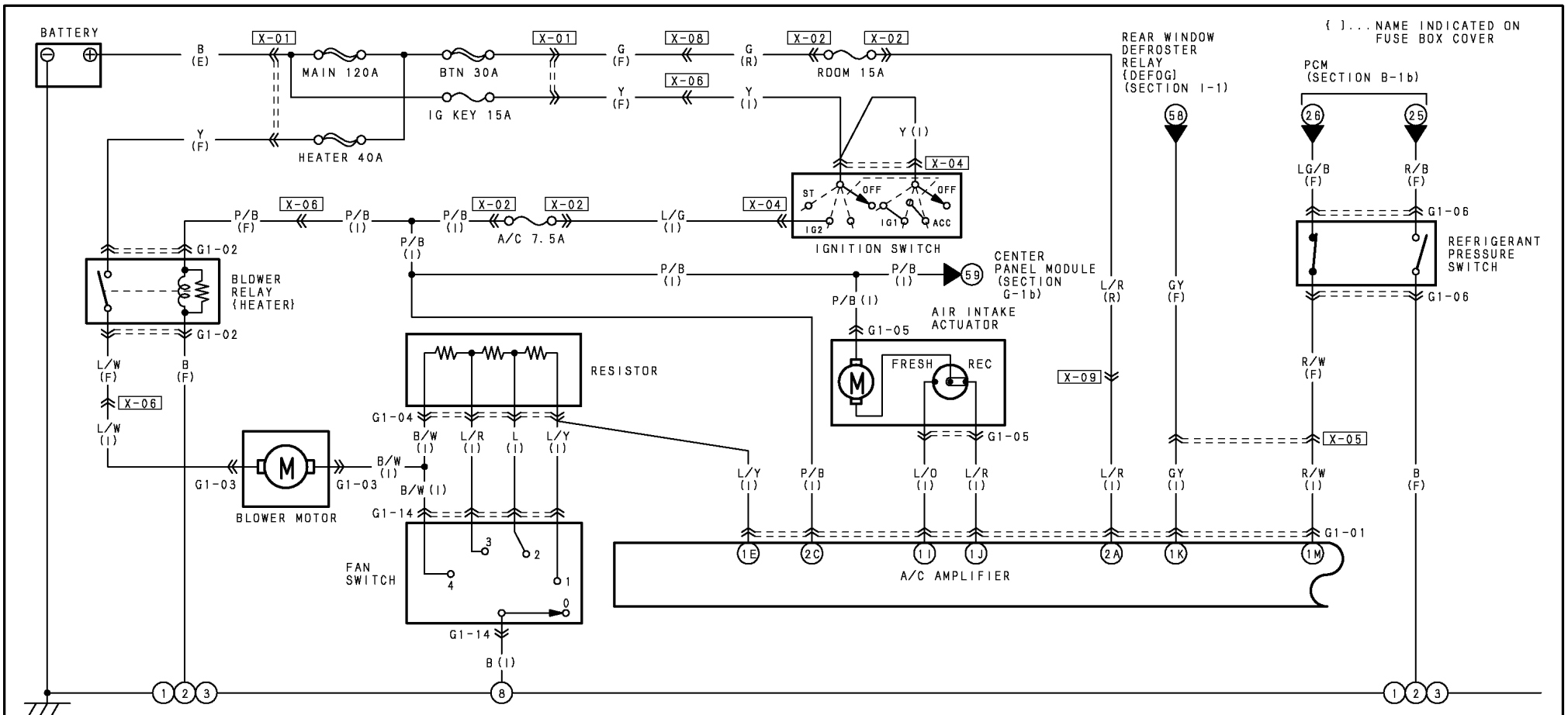
(F)-(R)
X-08

(F)-(1)
X-05

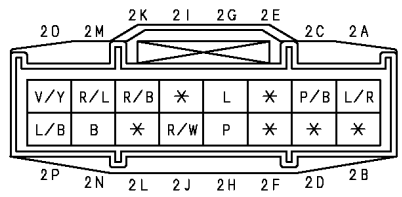
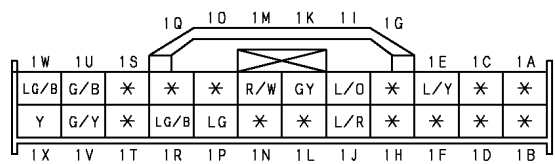
(F)-(1)
X-06

X-09
(1)-(R)

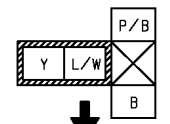
X-02
FUSE BLOCK



G1-01 A/C AMPLIFIER (I)

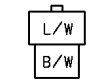


G1-02 BLOWER RELAY (HEATER) (F)

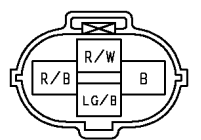


FRONT
NOTE: THIS IS THE CONNECTOR AS SEEN FROM THE TERMINAL SIDE.

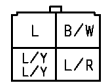
G1-03 BLOWER MOTOR (I)



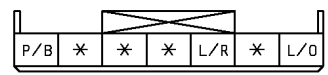
G1-06 REFRIGERANT PRESSURE SWITCH (F)



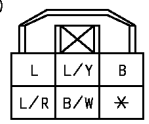
G1-04 RESISTOR (I)

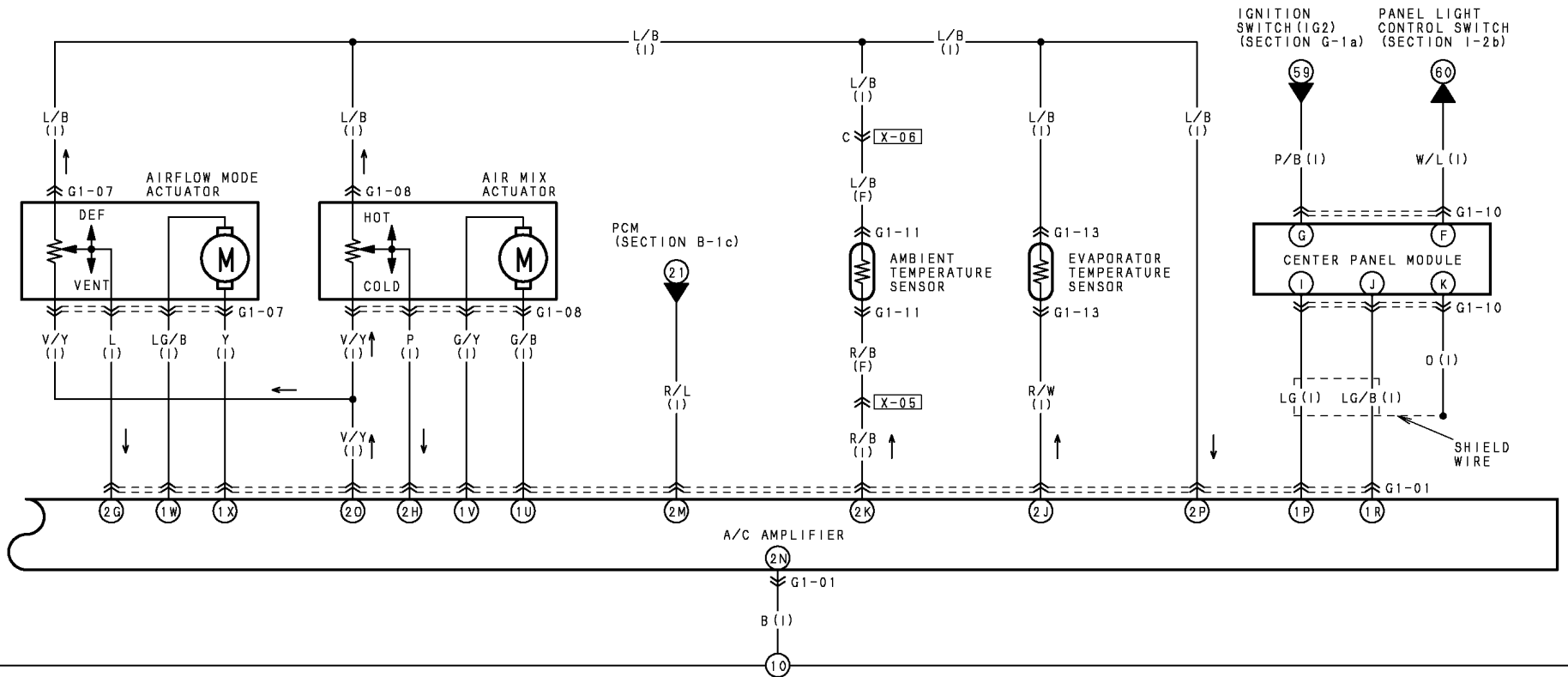


G1-05 AIR INTAKE ACTUATOR (I)

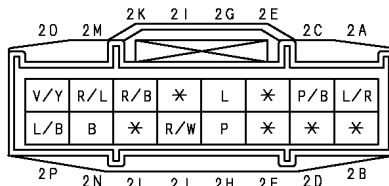
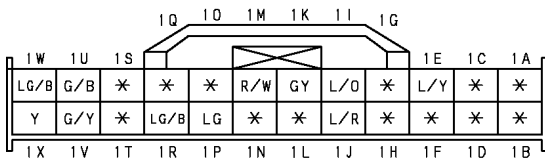


G1-14 FAN SWITCH (I)

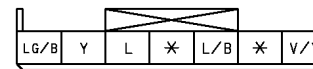




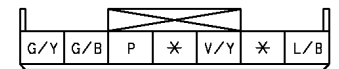
G1-01 A/C AMPLIFIER (1)



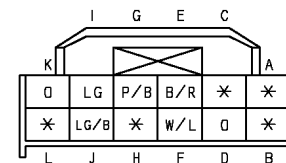
G1-07 AIRFLOW MODE ACTUATOR (1)



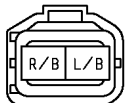
G1-08 AIR MIX ACTUATOR (1)



G1-10 CENTER PANEL MODULE (1)



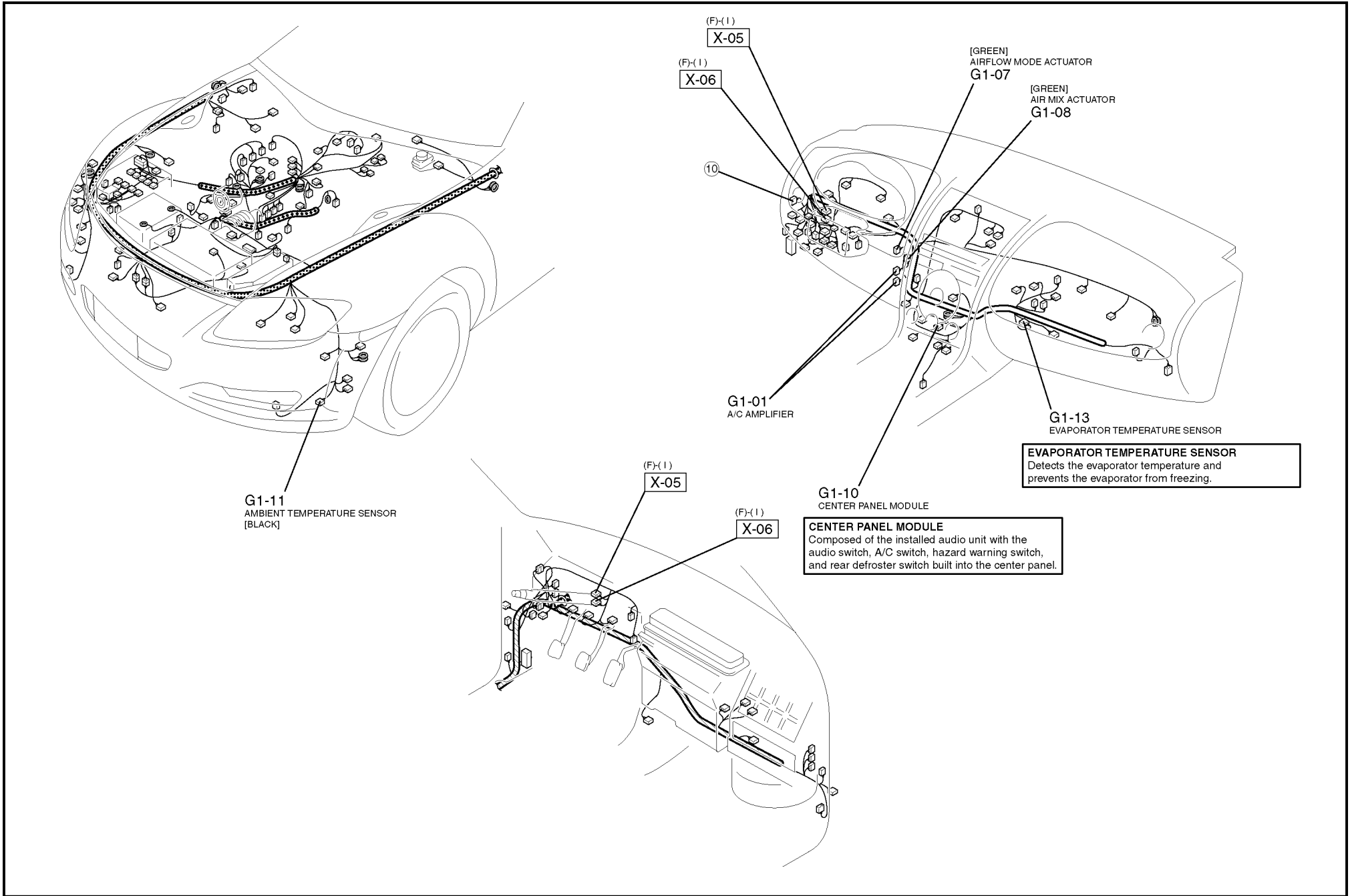
G1-11 AMBIENT TEMPERATURE SENSOR (F)

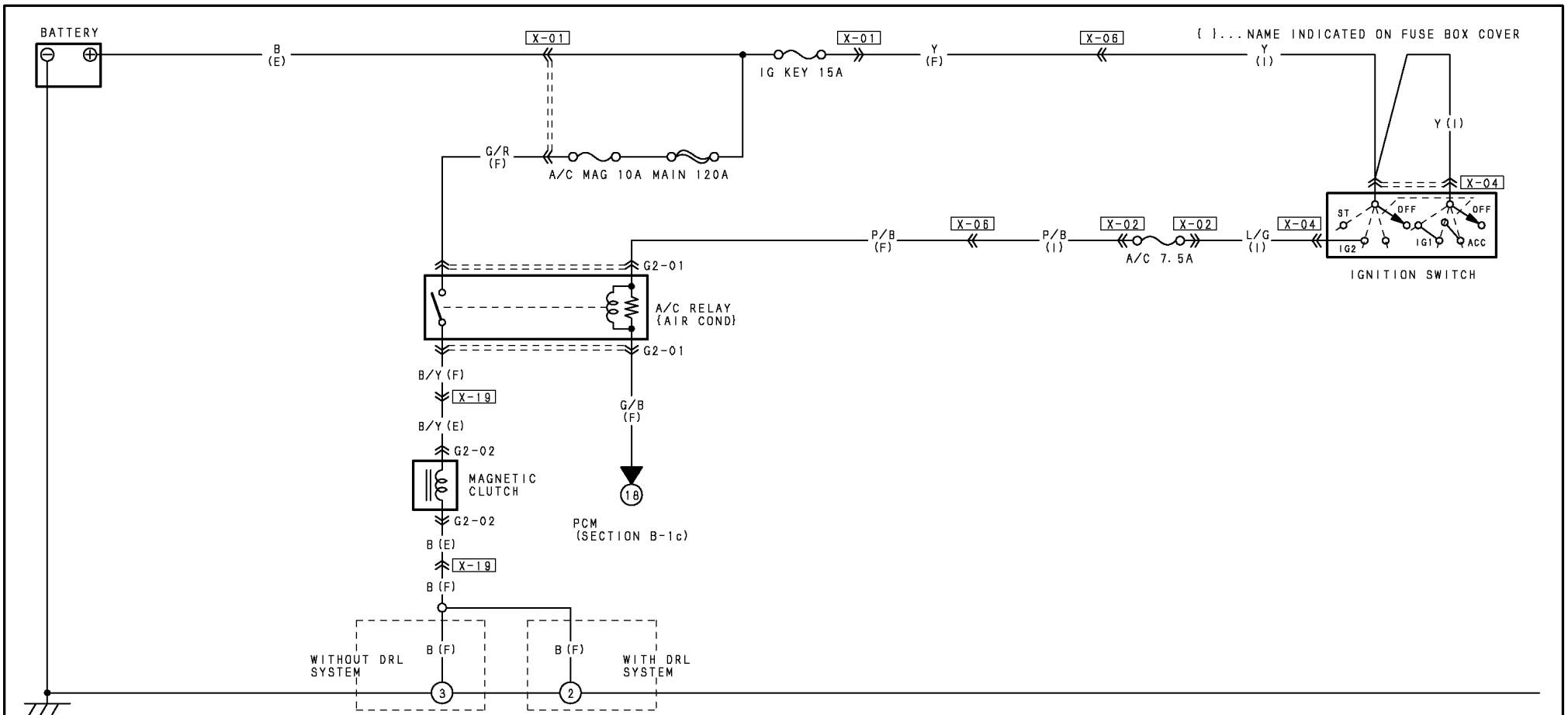


G1-13 EVAPORATOR TEMPERATURE SENSOR (1)



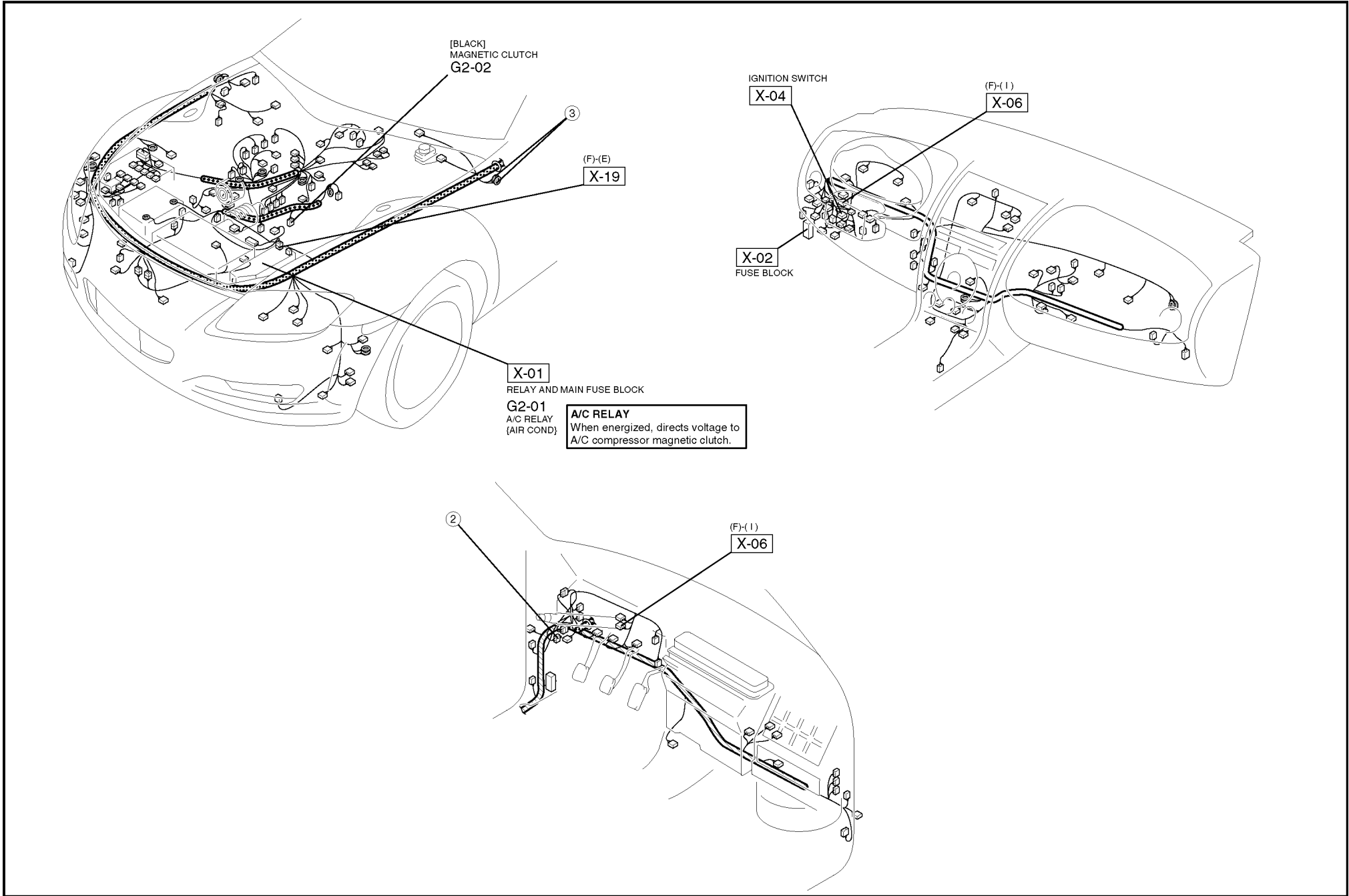
HARNESS SYMBOL:  (F)  (E)  (R)

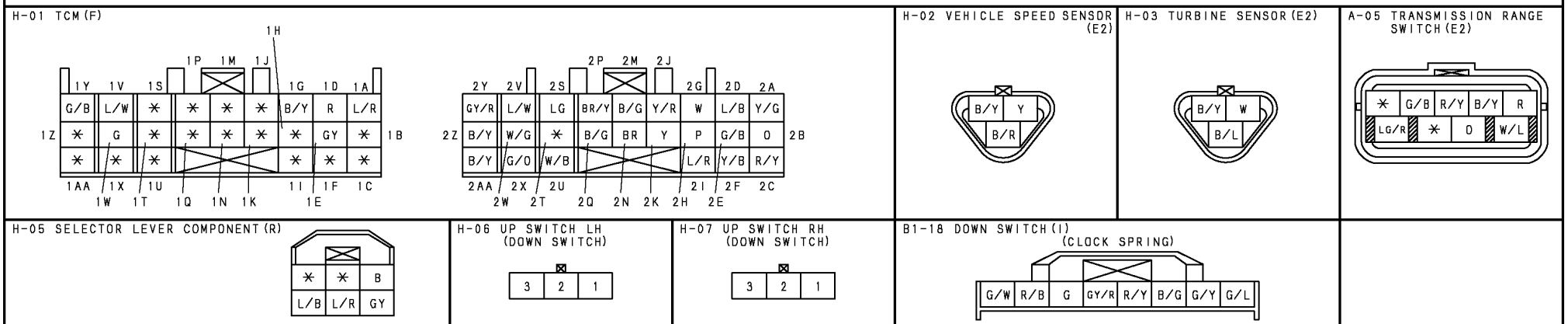
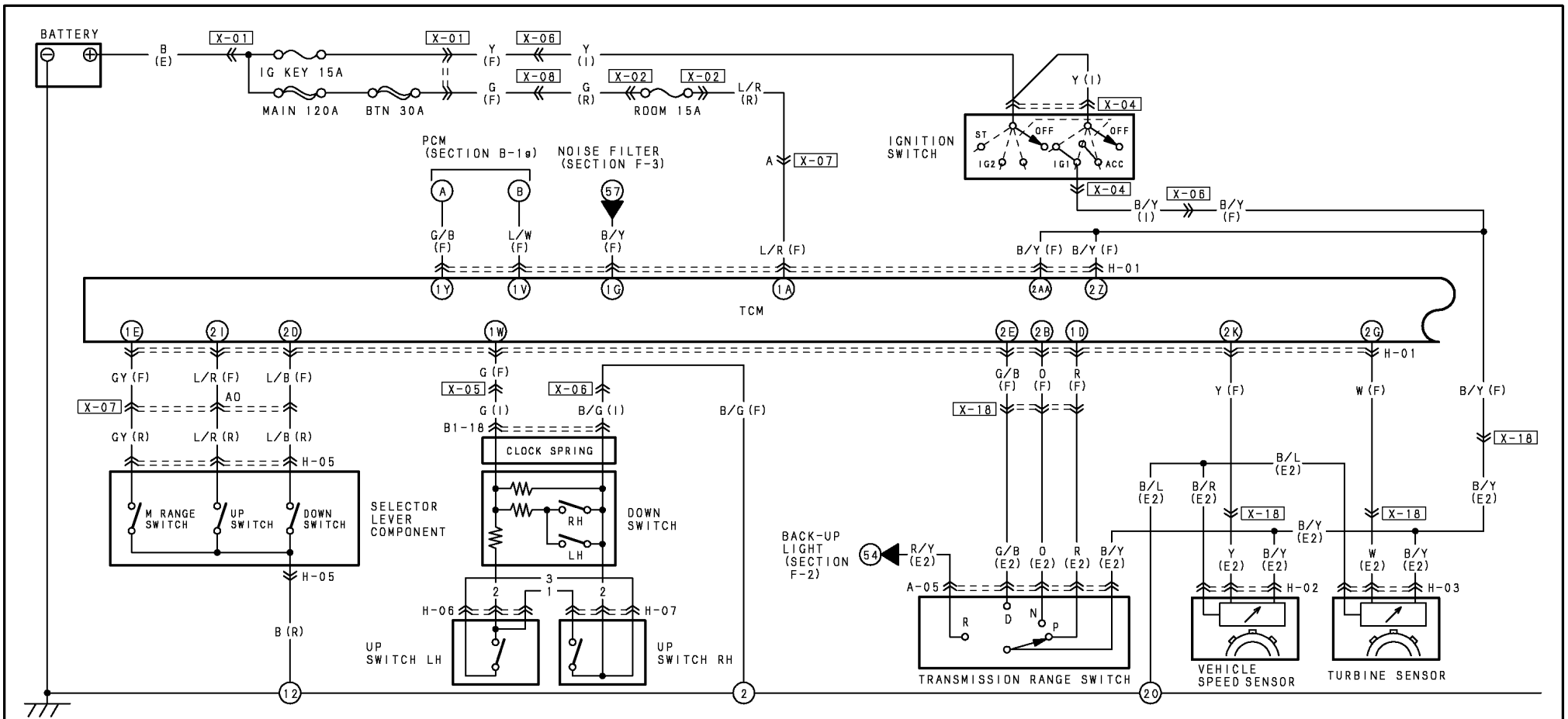




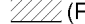


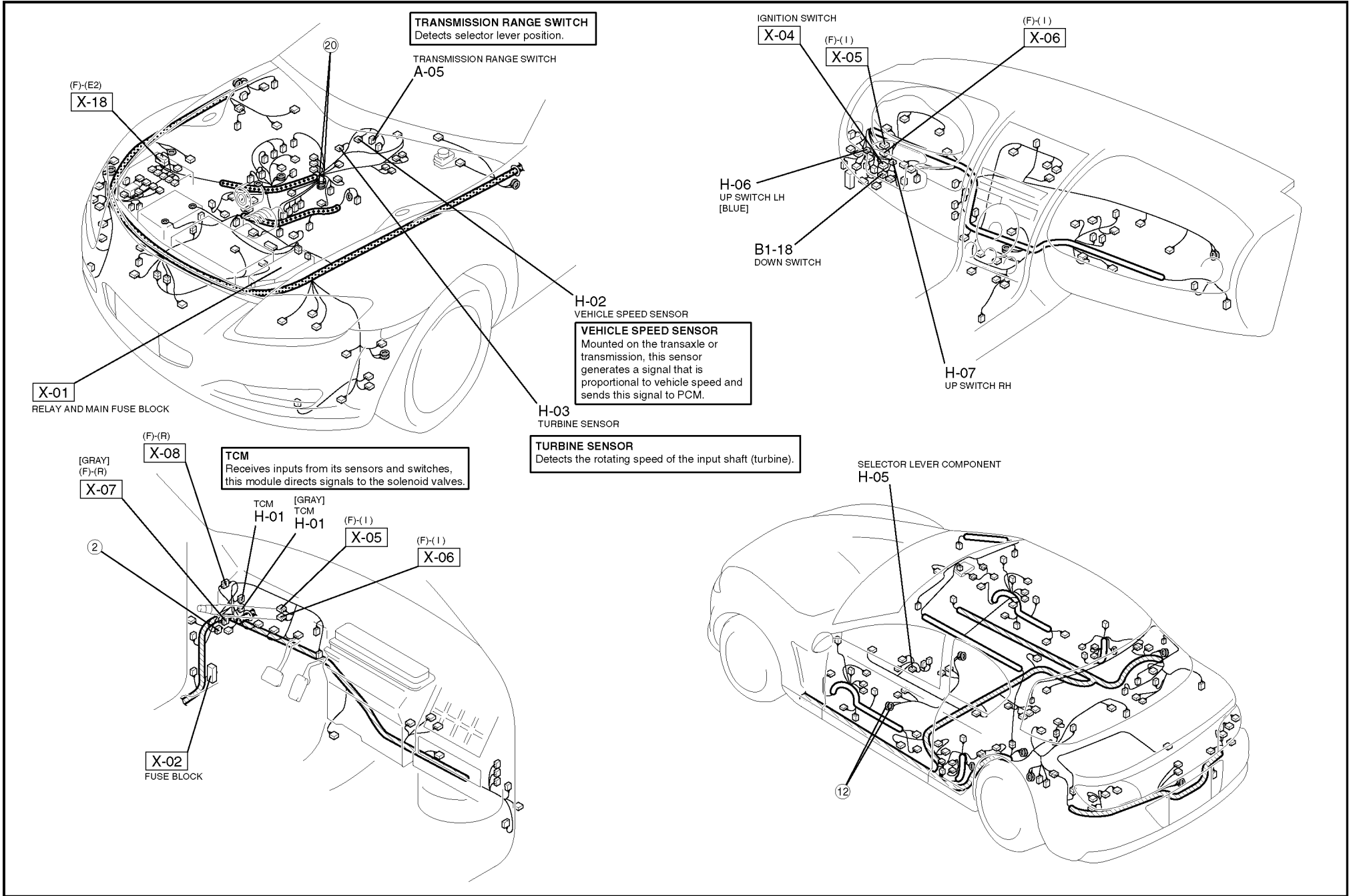
<p>G2-01 A/C RELAY (AIR COND) (F)</p> <p>FRONT NOTE: THIS IS THE CONNECTOR AS SEEN FROM THE TERMINAL SIDE.</p>	<p>G2-02 MAGNETIC CLUTCH (E)</p>					
--	----------------------------------	--	--	--	--	--

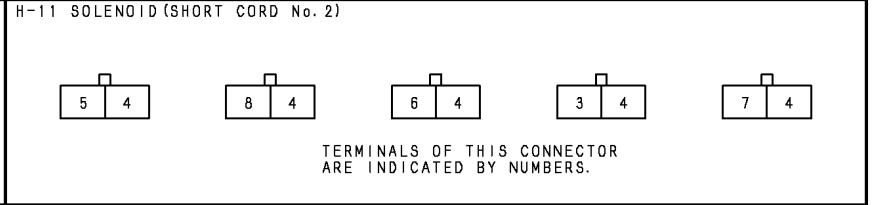
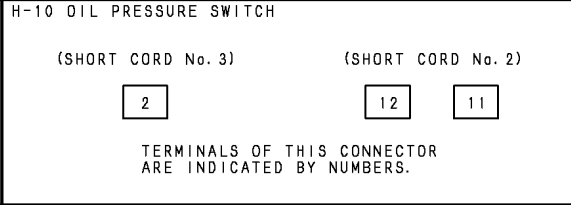
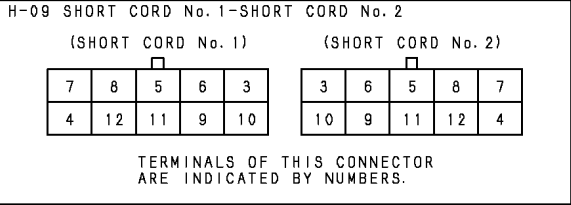
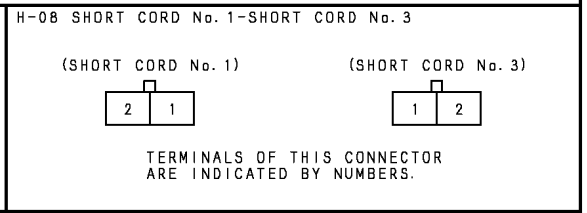
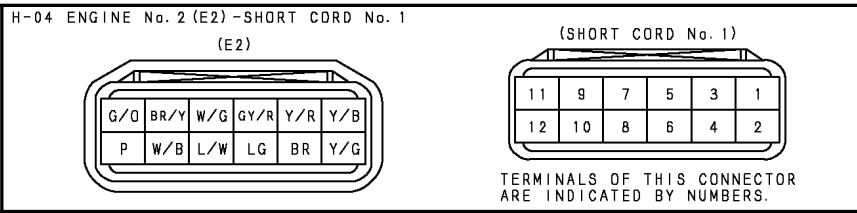
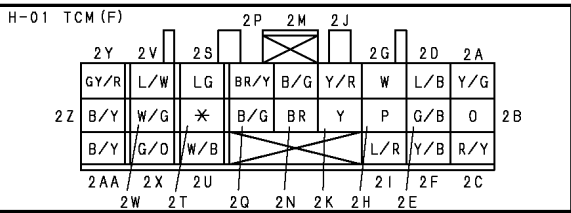
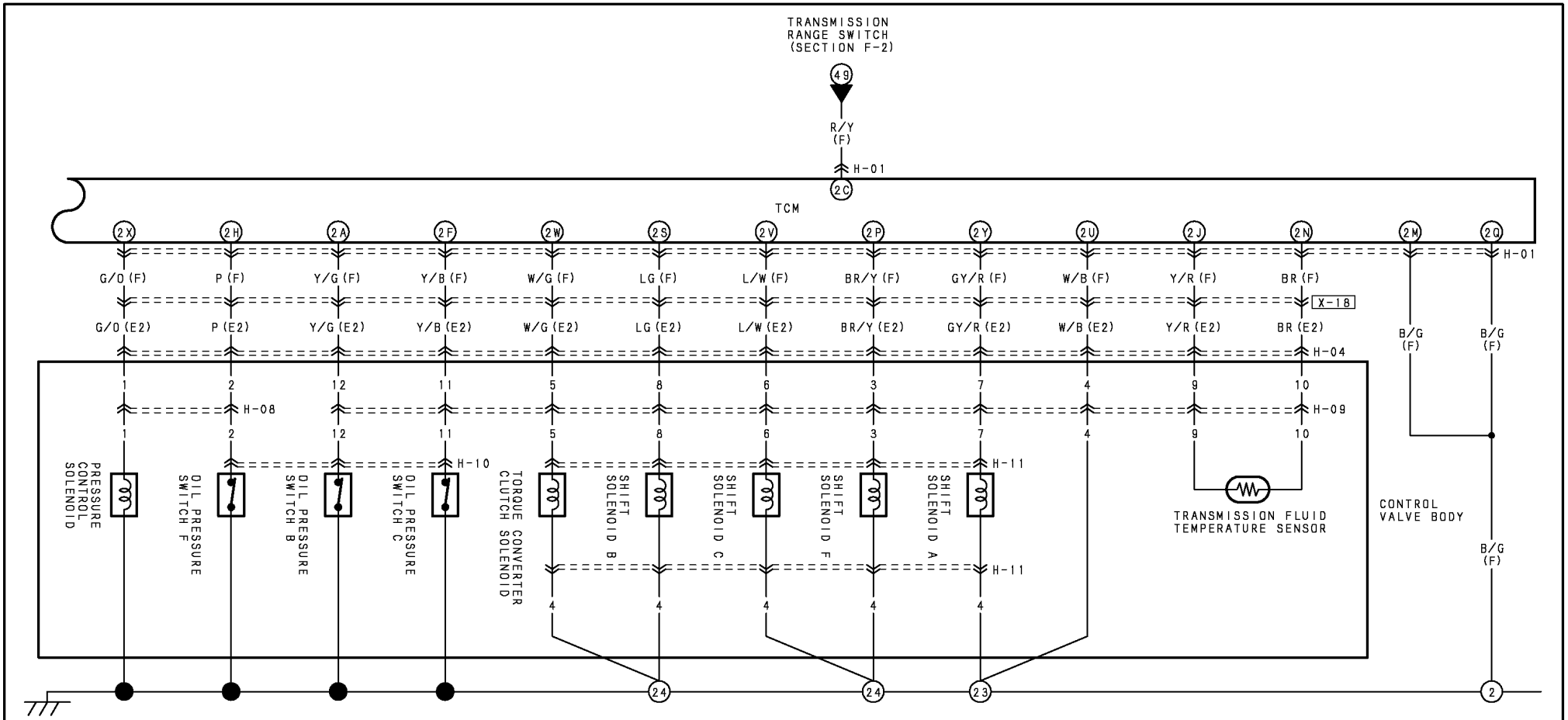
HARNESS SYMBOL:  (F)  (E)  (R)



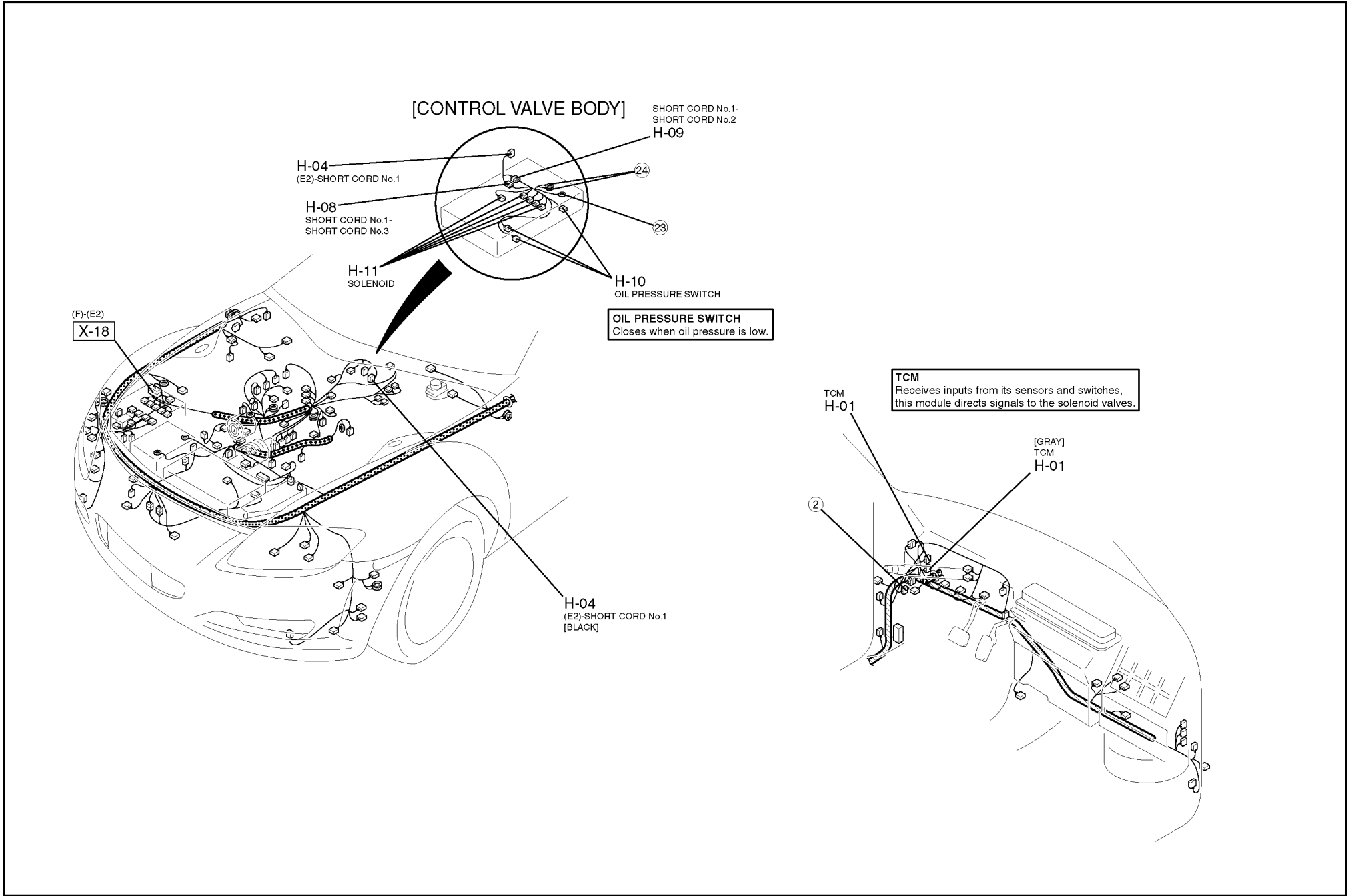


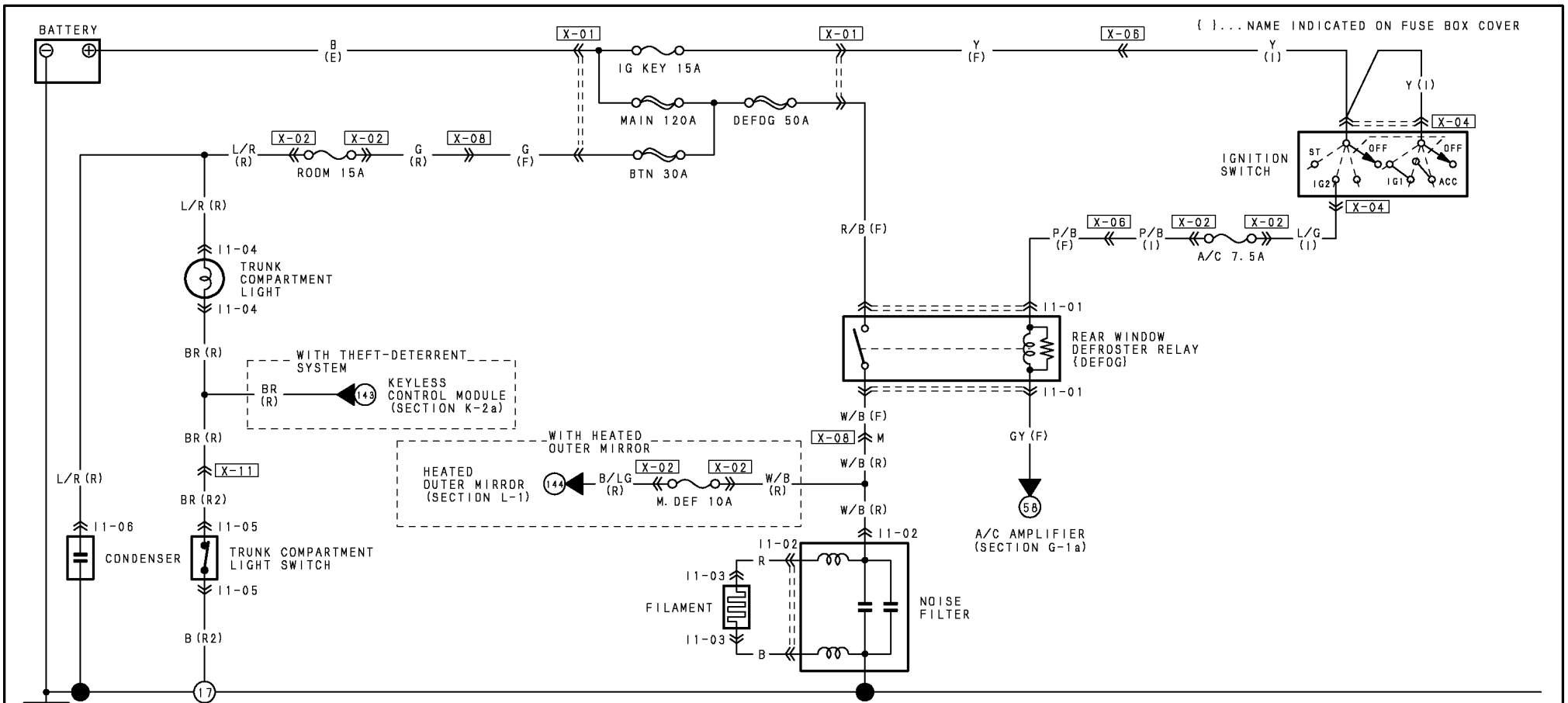
HARNESS SYMBOL:  (F)  (E)  (R)





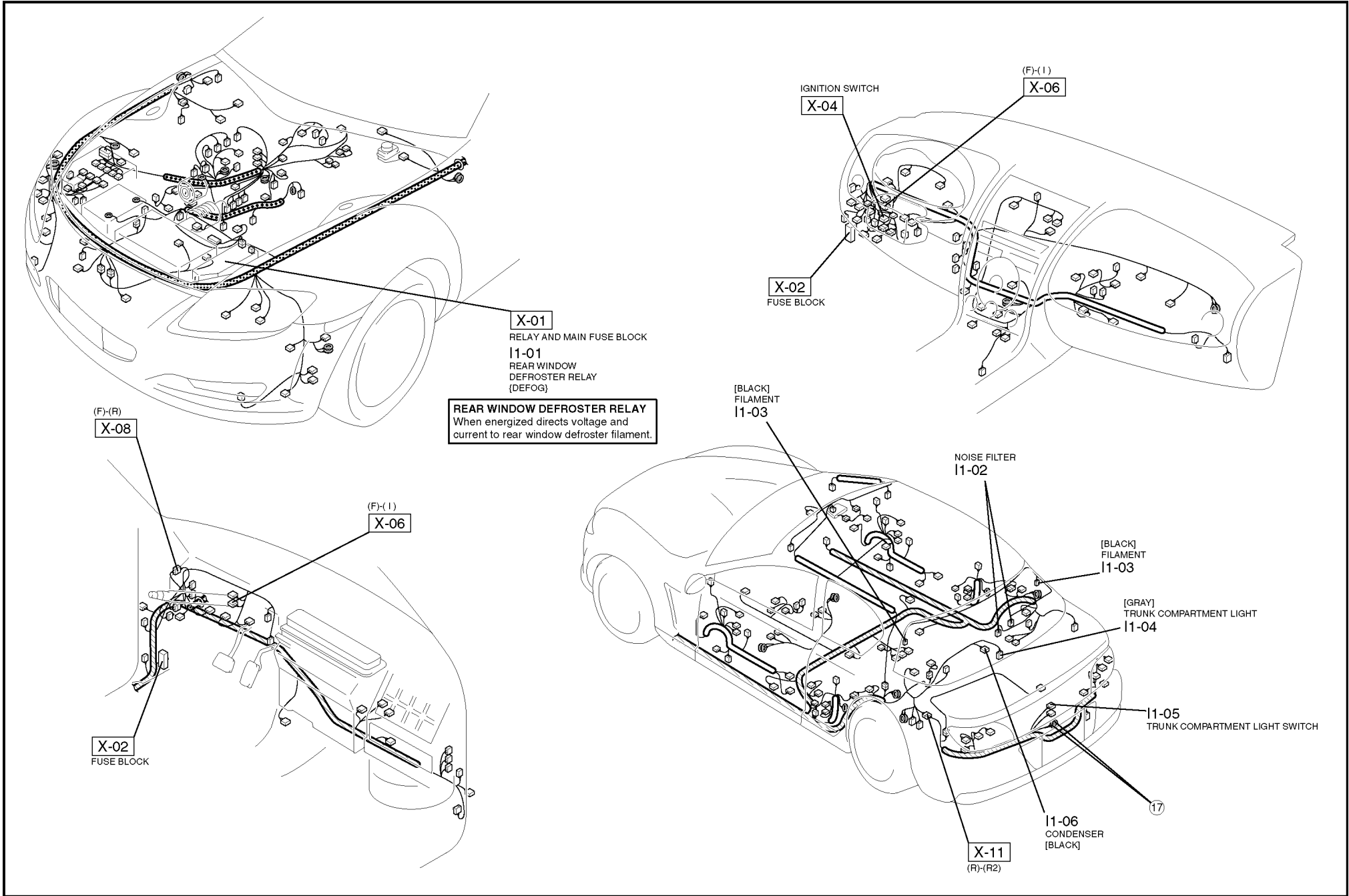
HARNESS SYMBOL:  (F)  (E)  (R)

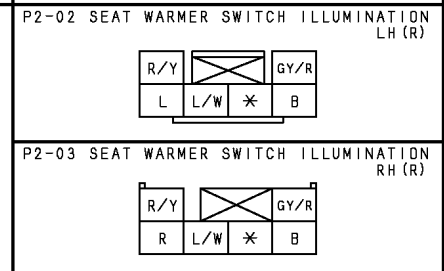
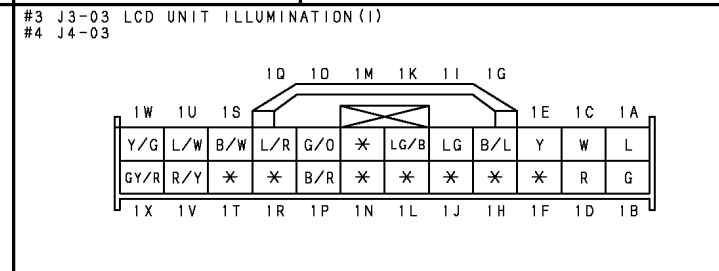
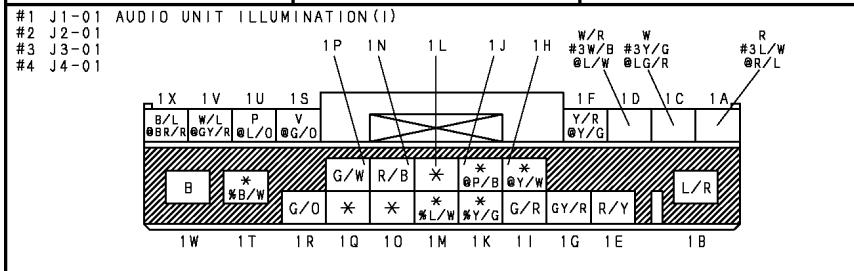
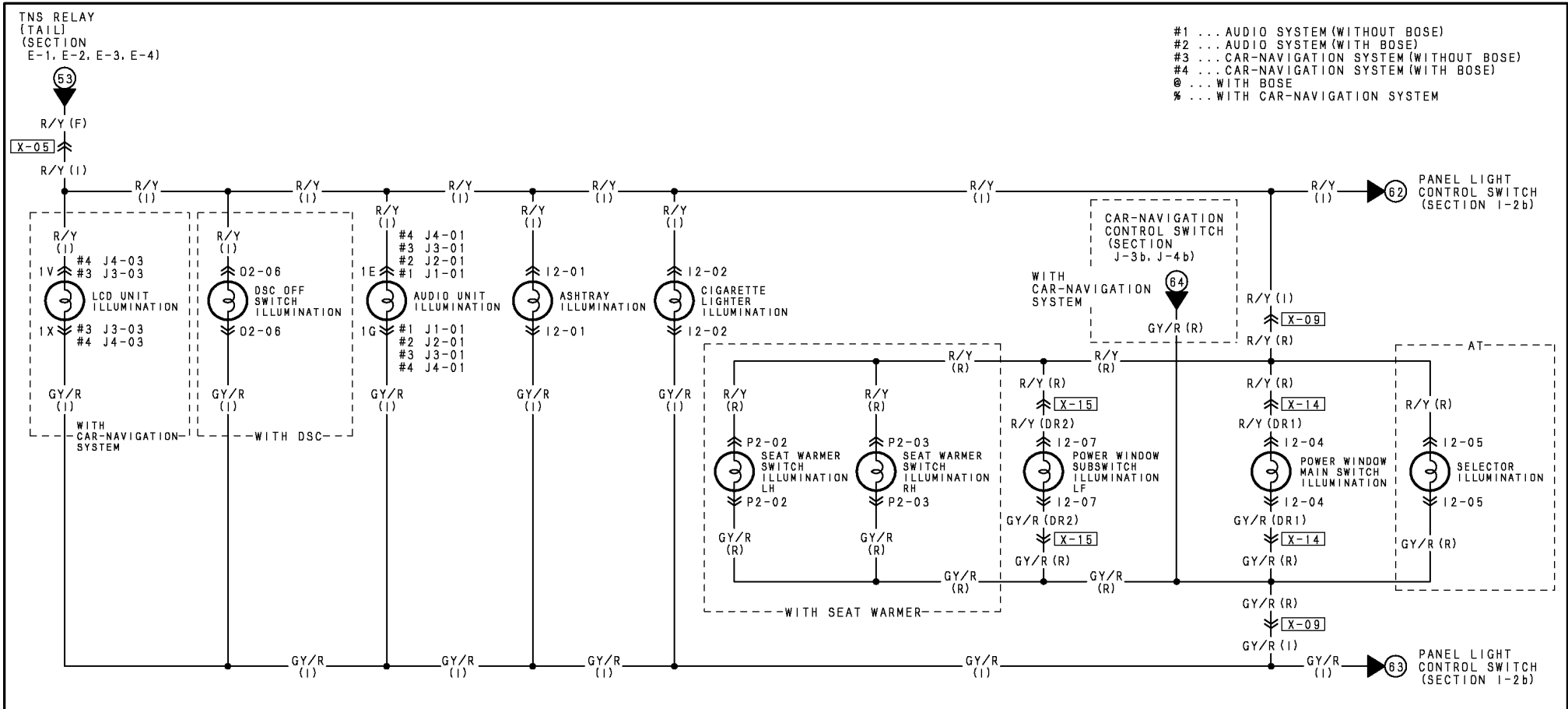




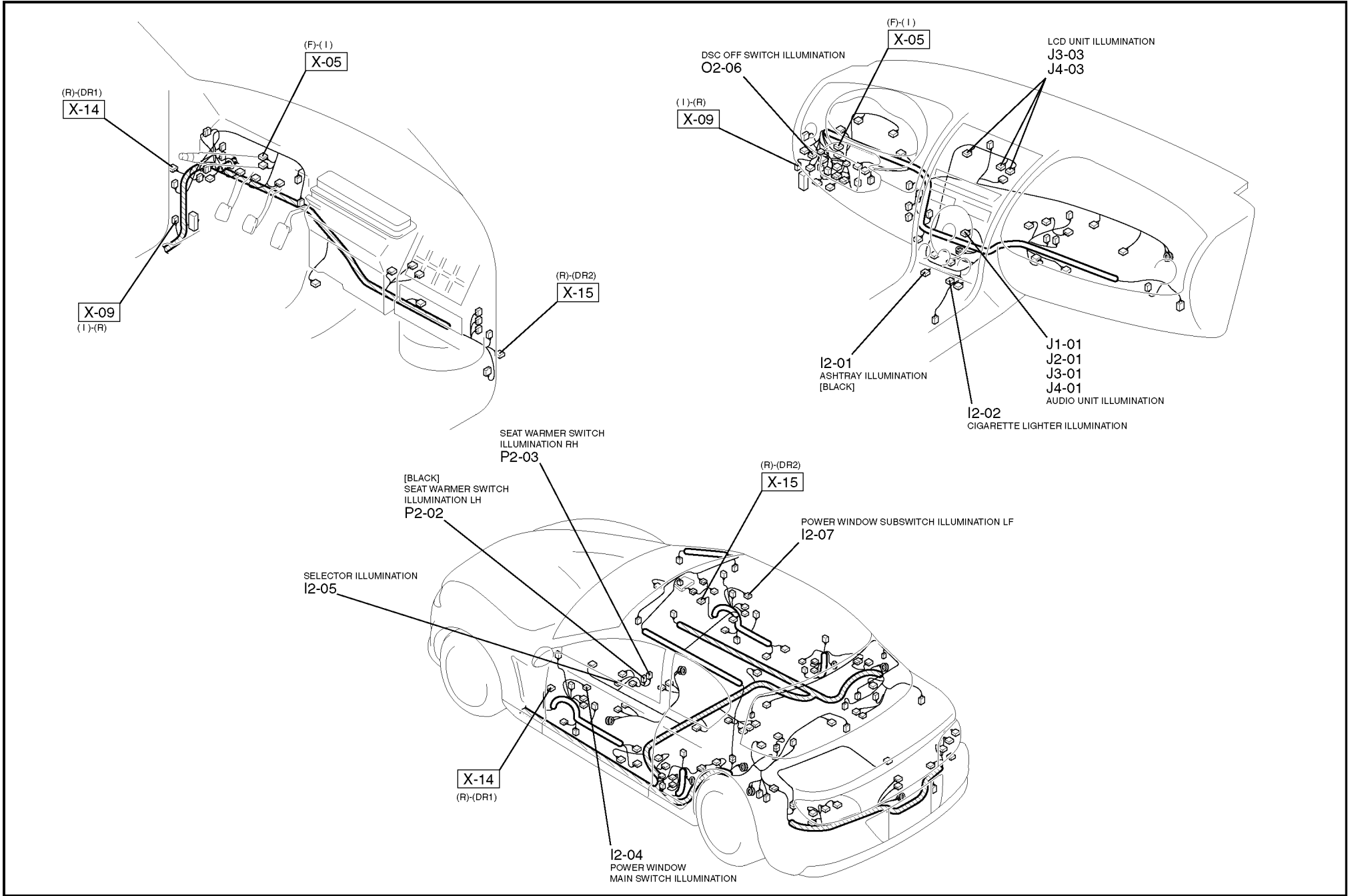
<p>11-01 REAR WINDOW DEFROSTER RELAY (DEFOG) (F)</p> <p>FRONT</p> <p>NOTE: THIS IS THE CONNECTOR AS SEEN FROM THE TERMINAL SIDE.</p>	<p>11-02 NOISE FILTER (R)</p>	<p>(SHORT CORD)</p>	<p>11-03 FILAMENT (SHORT CORD)</p>	<p>11-04 TRUNK COMPARTMENT LIGHT (R)</p>	<p>11-05 TRUNK COMPARTMENT LIGHT SWITCH (R2)</p>
<p>11-06 CONDENSER (R)</p>					

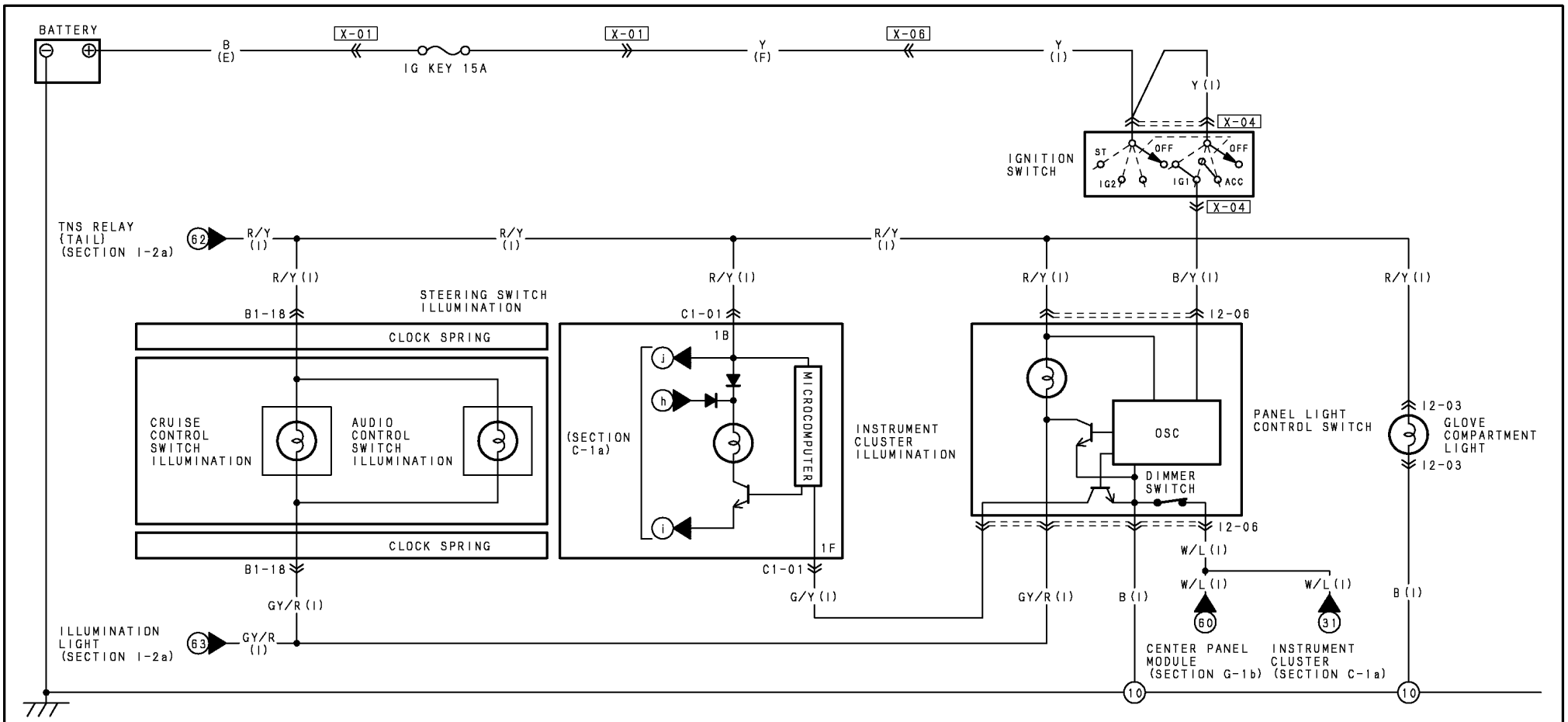
HARNESS SYMBOL:  (F)  (E)  (R)





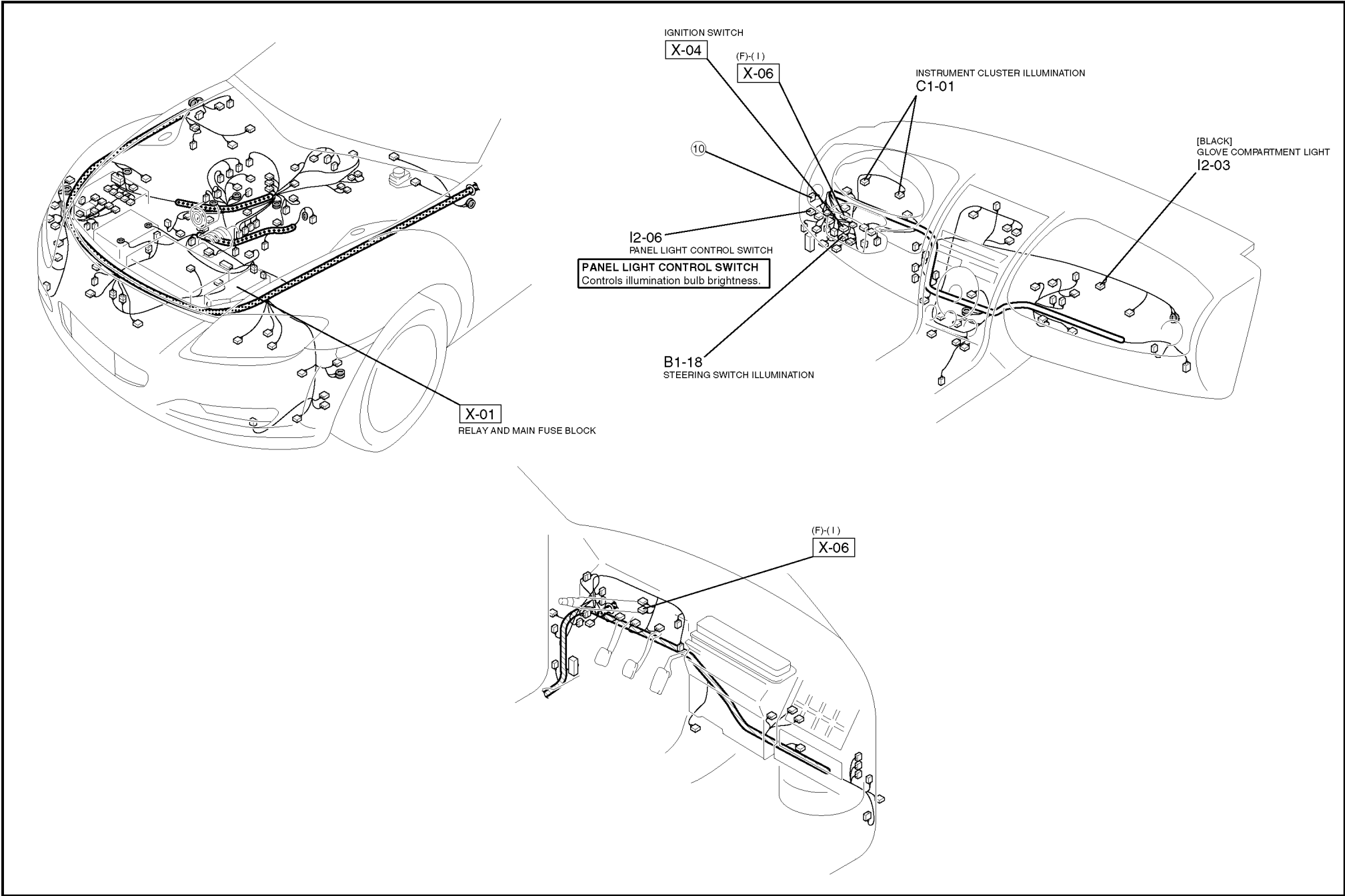
HARNESS SYMBOL:  (F)  (E)  (R)

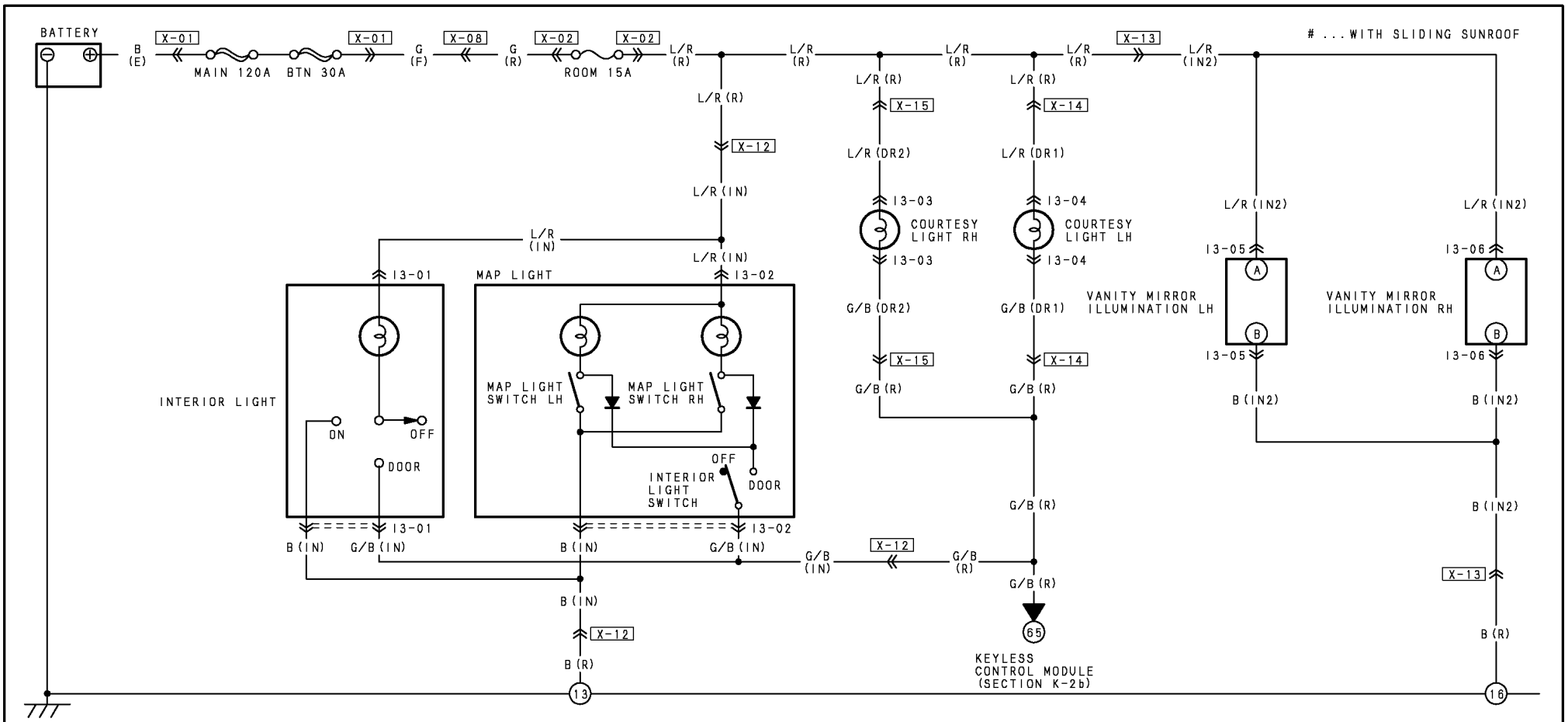


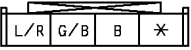
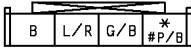

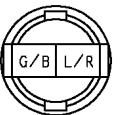
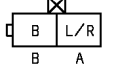
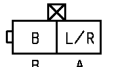


<p>12-03 GLOVE COMPARTMENT LIGHT (I)</p>	<p>12-06 PANEL LIGHT CONTROL SWITCH (I)</p>	<p>B1-18 STEERING SWITCH ILLUMINATION (I) (CLOCK SPRING)</p>	<p>C1-01 INSTRUMENT CLUSTER ILLUMINATION (I)</p>	

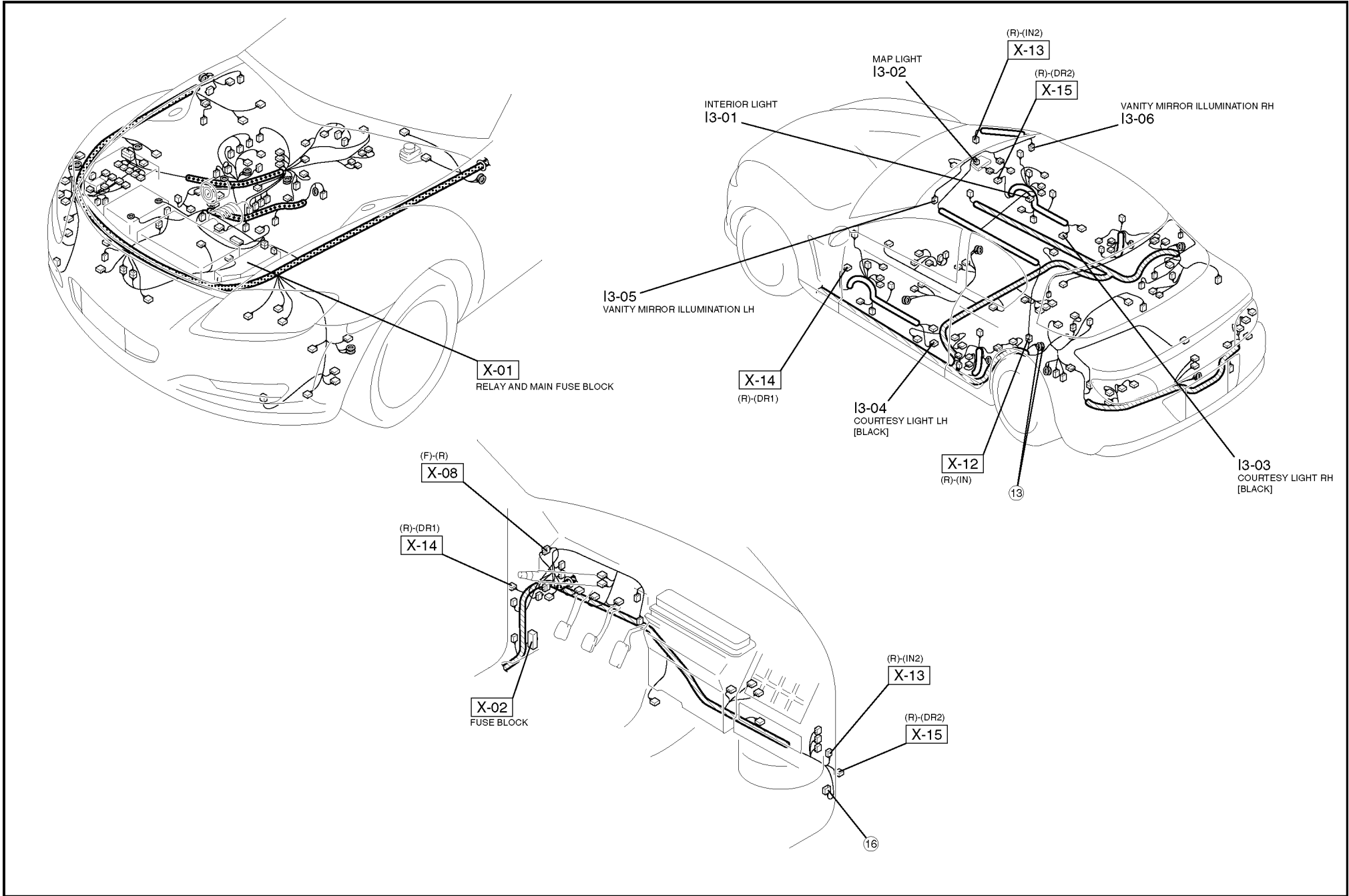
HARNESS SYMBOL:  (F)  (E)  (R)

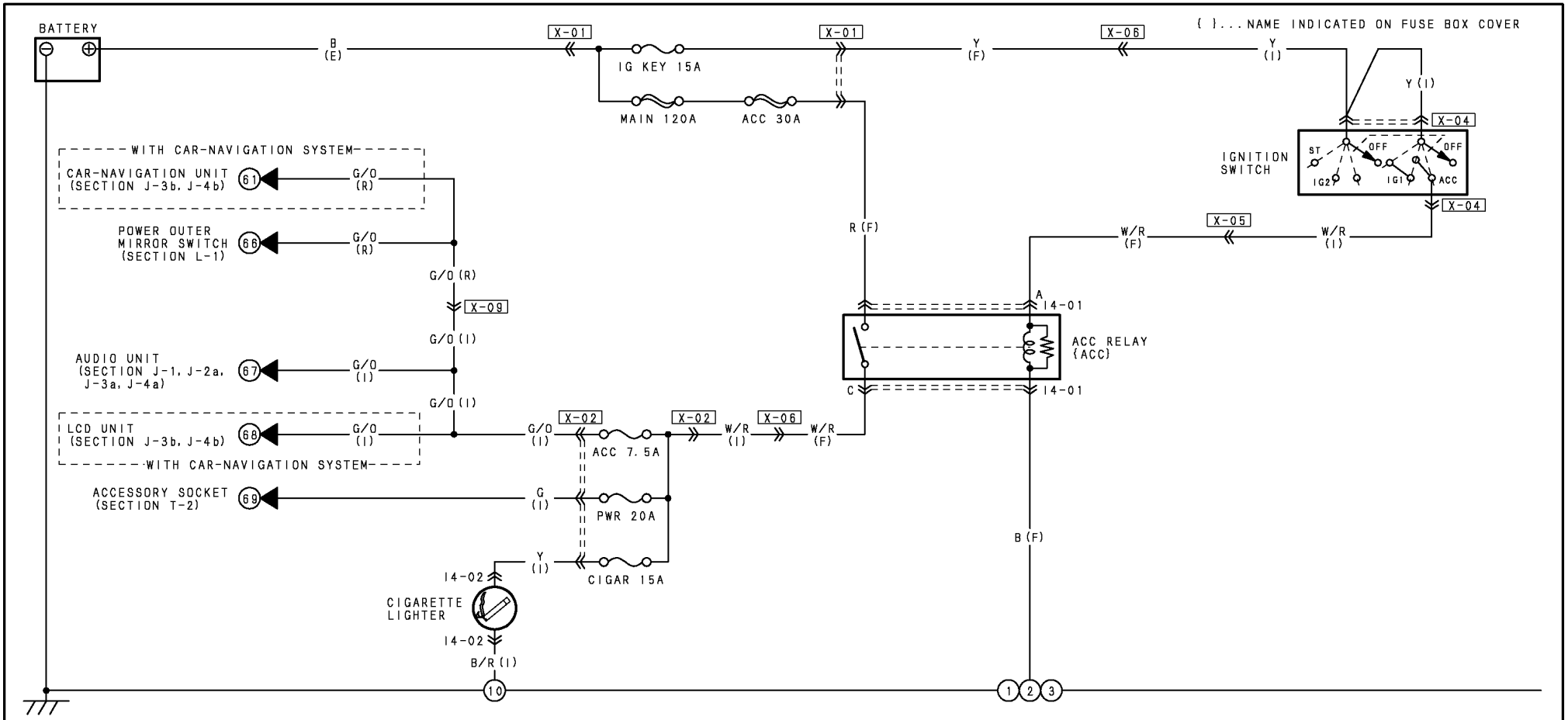




<p>13-01 INTERIOR LIGHT (IN)</p> 	<p>13-02 MAP LIGHT (IN)</p> 	<p>13-03 COURTESY LIGHT RH (DR2)</p> 	<p>13-04 COURTESY LIGHT LH (DR1)</p> 	<p>13-05 VANITY MIRROR ILLUMINATION LH (IN2)</p> 
				<p>13-06 VANITY MIRROR ILLUMINATION RH (IN2)</p> 

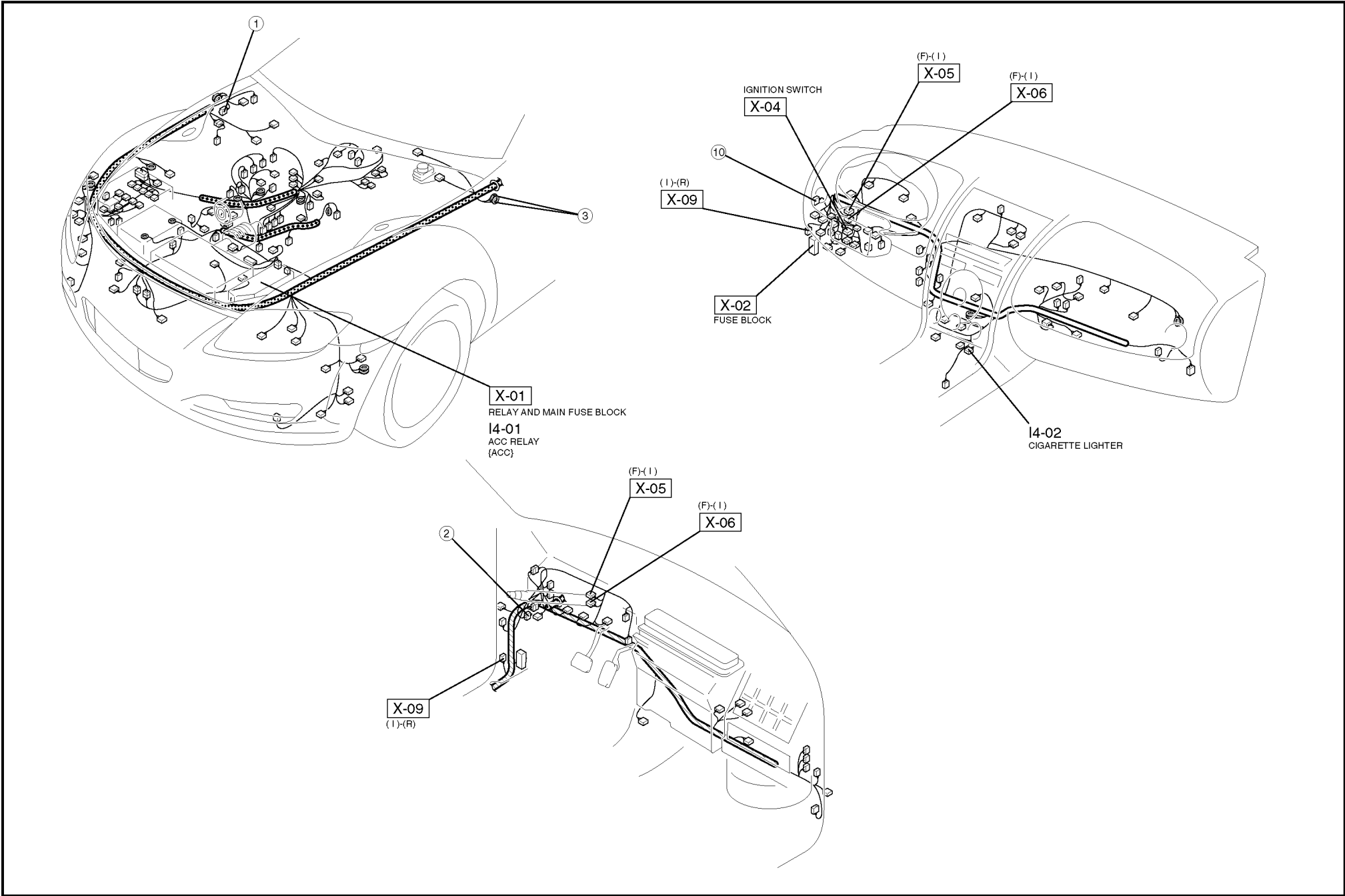
HARNESS SYMBOL:  (F)  (E)  (R)

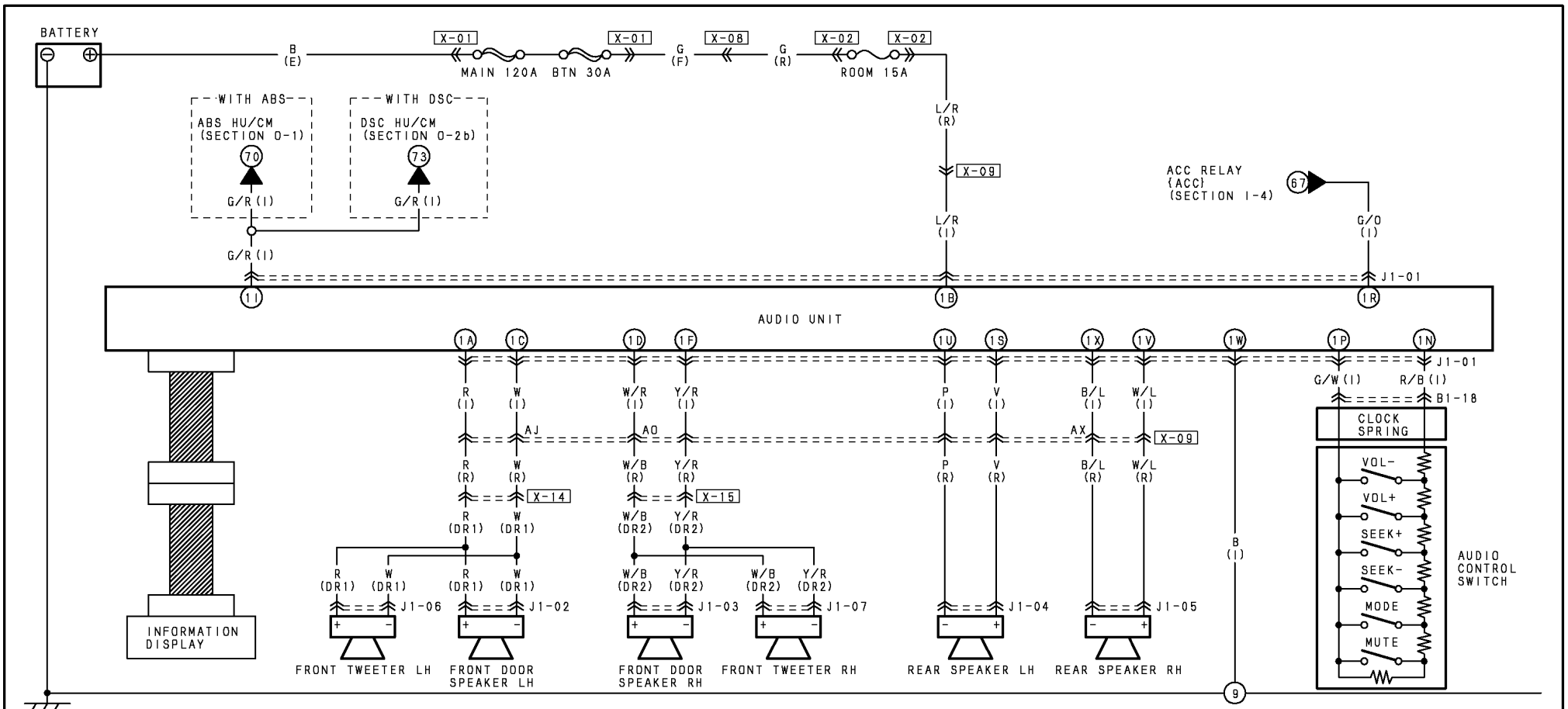




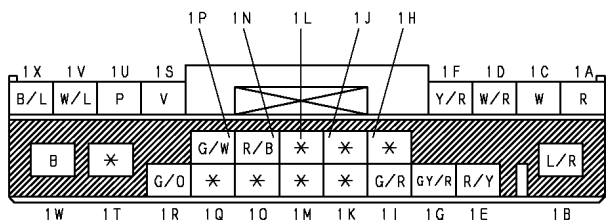
<p>14-01 ACC RELAY {ACC} (F)</p> <p>NOTE: THIS IS THE CONNECTOR AS SEEN FROM THE TERMINAL SIDE.</p>	<p>14-02 CIGARETTE LIGHTER (I)</p>					
---	------------------------------------	--	--	--	--	--

HARNESS SYMBOL:  (F)  (E)  (R)

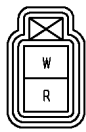




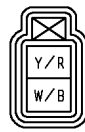
J1-01 AUDIO UNIT (1)



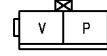
J1-02 FRONT DOOR SPEAKER LH (DR1)



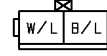
J1-03 FRONT DOOR SPEAKER RH (DR2)



J1-04 REAR SPEAKER LH (R)



J1-05 REAR SPEAKER RH (R)



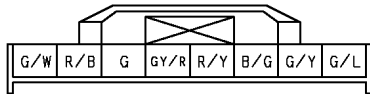
J1-06 FRONT TWEETER LH (DR1)



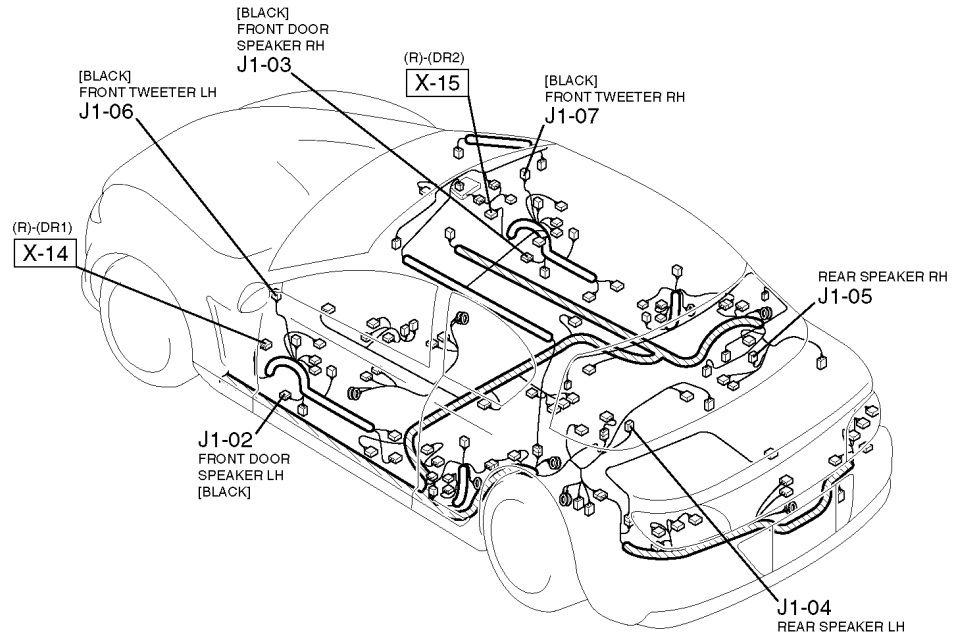
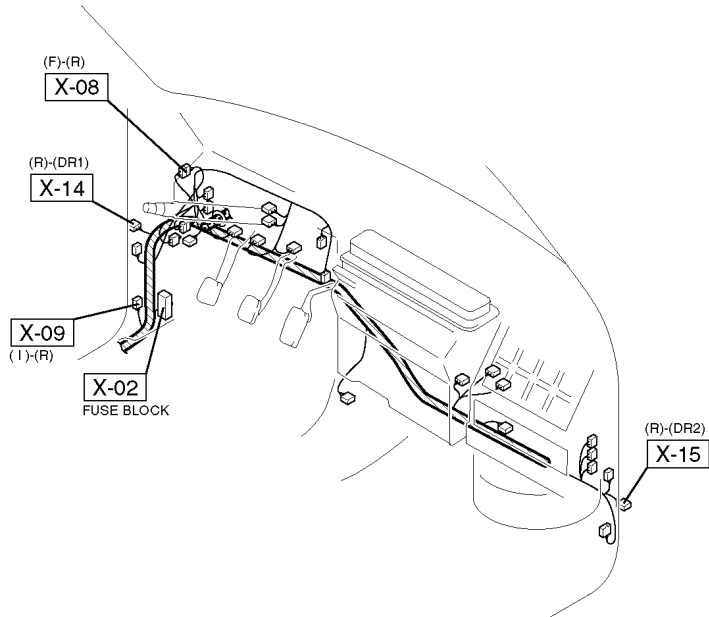
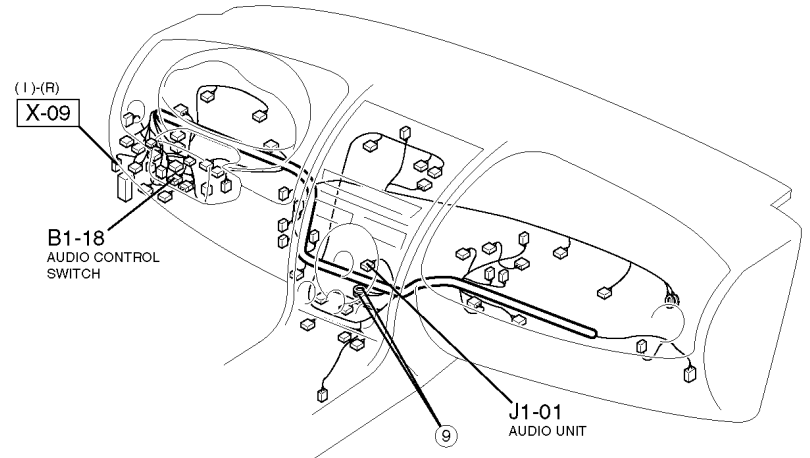
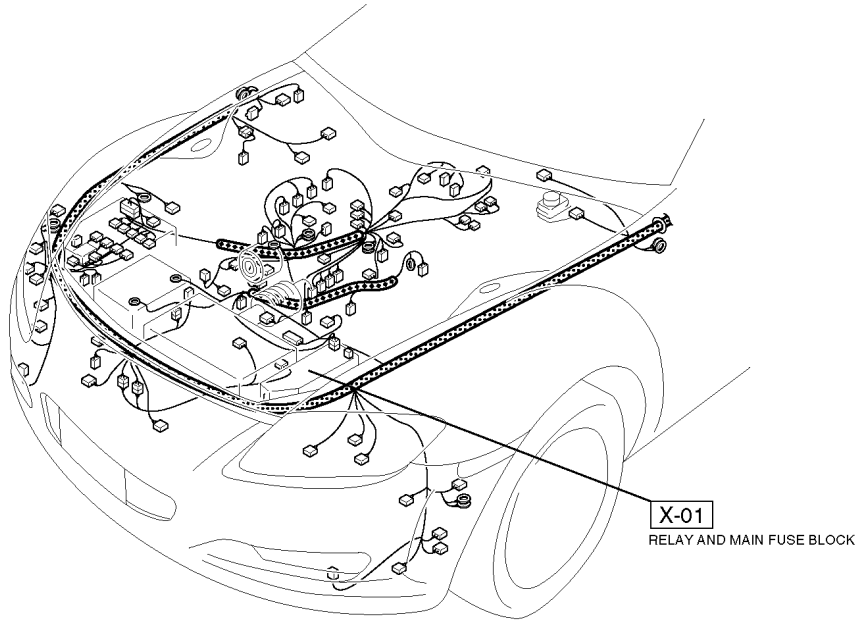
J1-07 FRONT TWEETER RH (DR2)

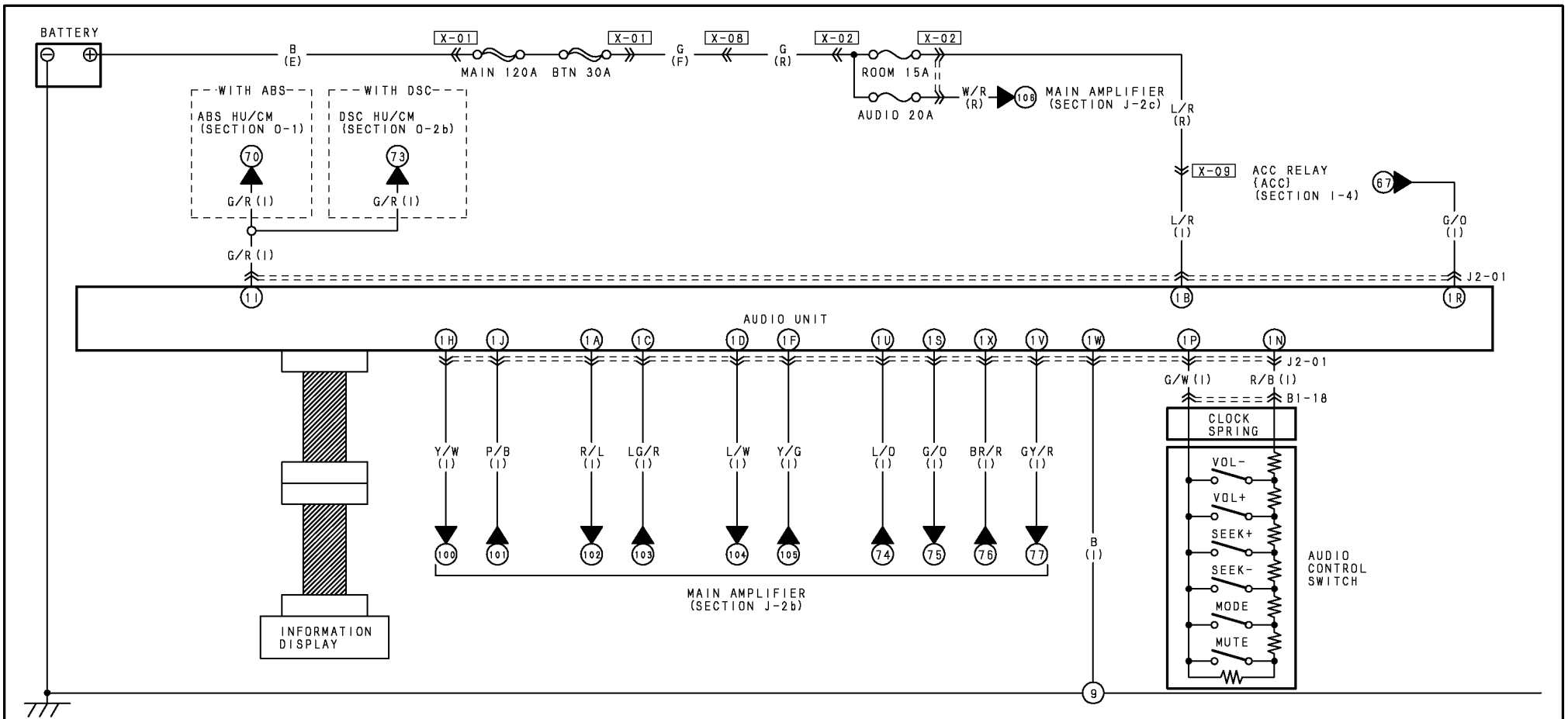


B1-18 AUDIO CONTROL SWITCH (1) (CLOCK SPRING)

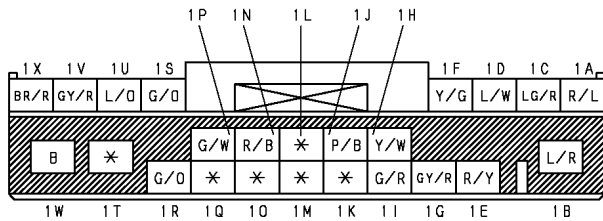


HARNESS SYMBOL:  (F)  (E)  (R)

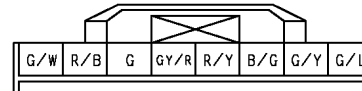




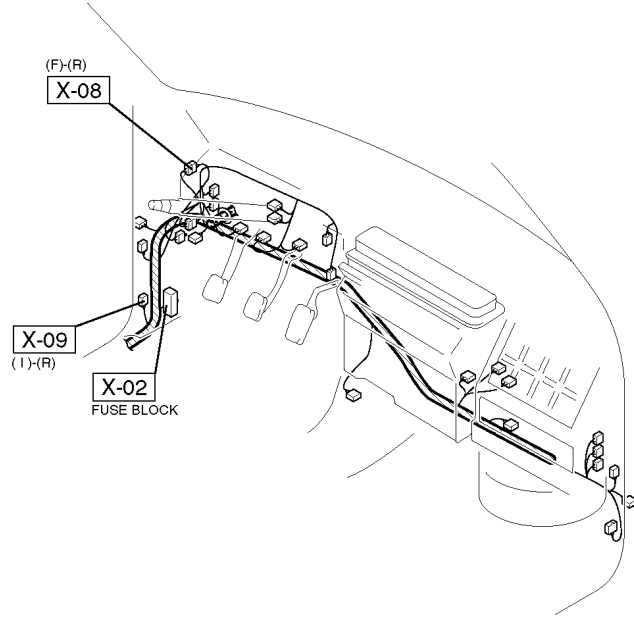
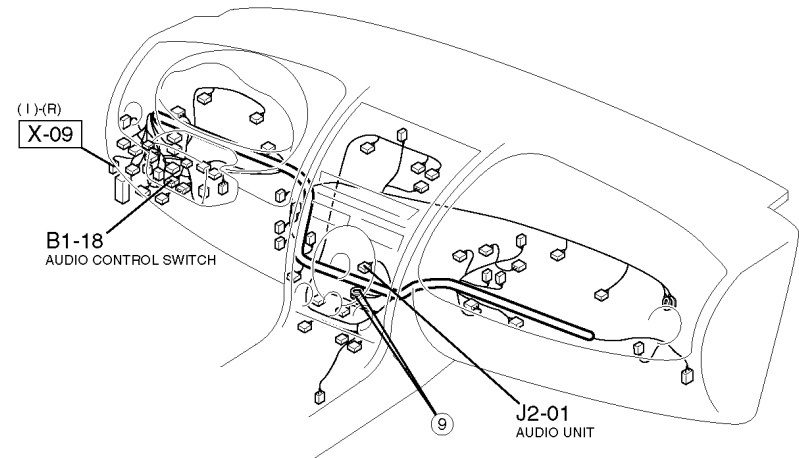
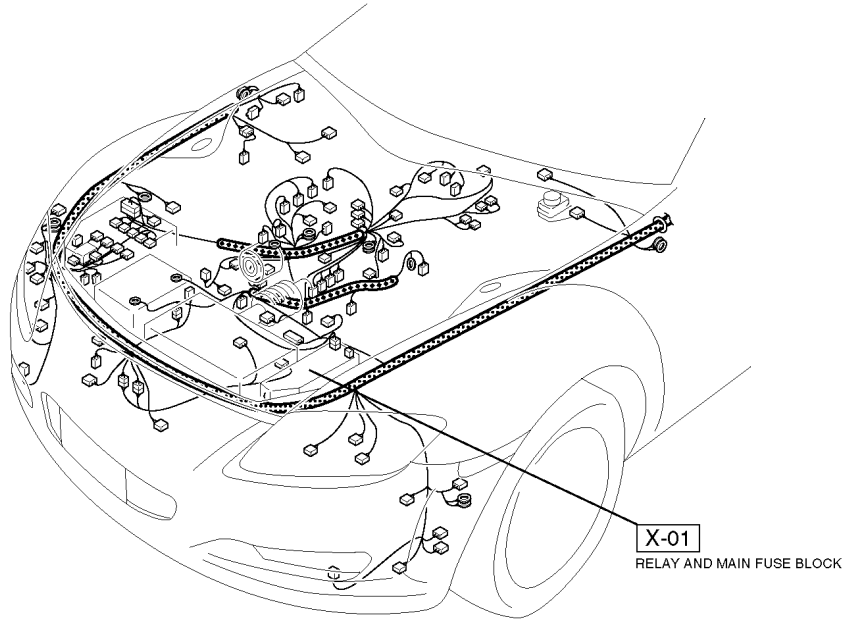
J2-01 AUDIO UNIT (1)



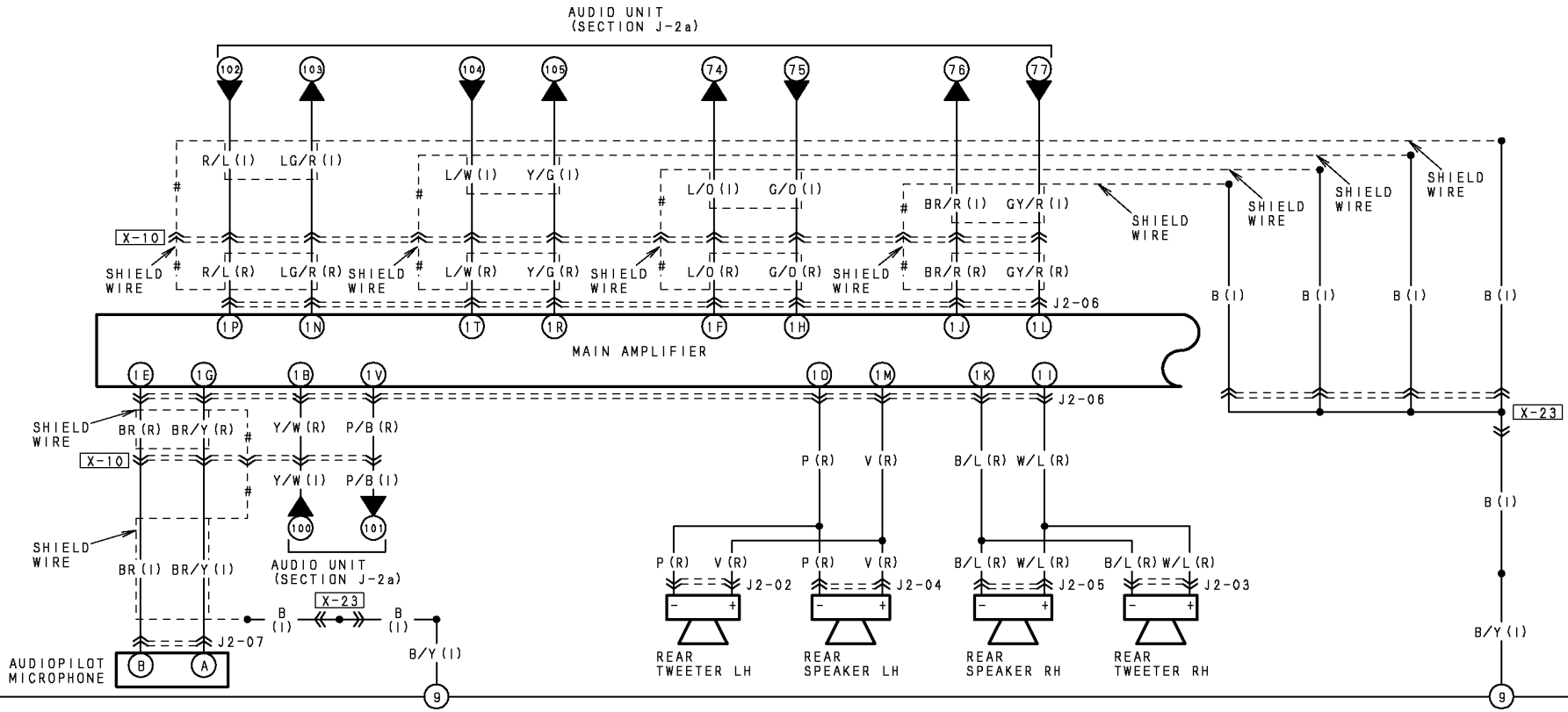
B1-18 AUDIO CONTROL SWITCH (1)
(CLOCK SPRING)



HARNES SYMBOL:  (F)  (E)  (R)

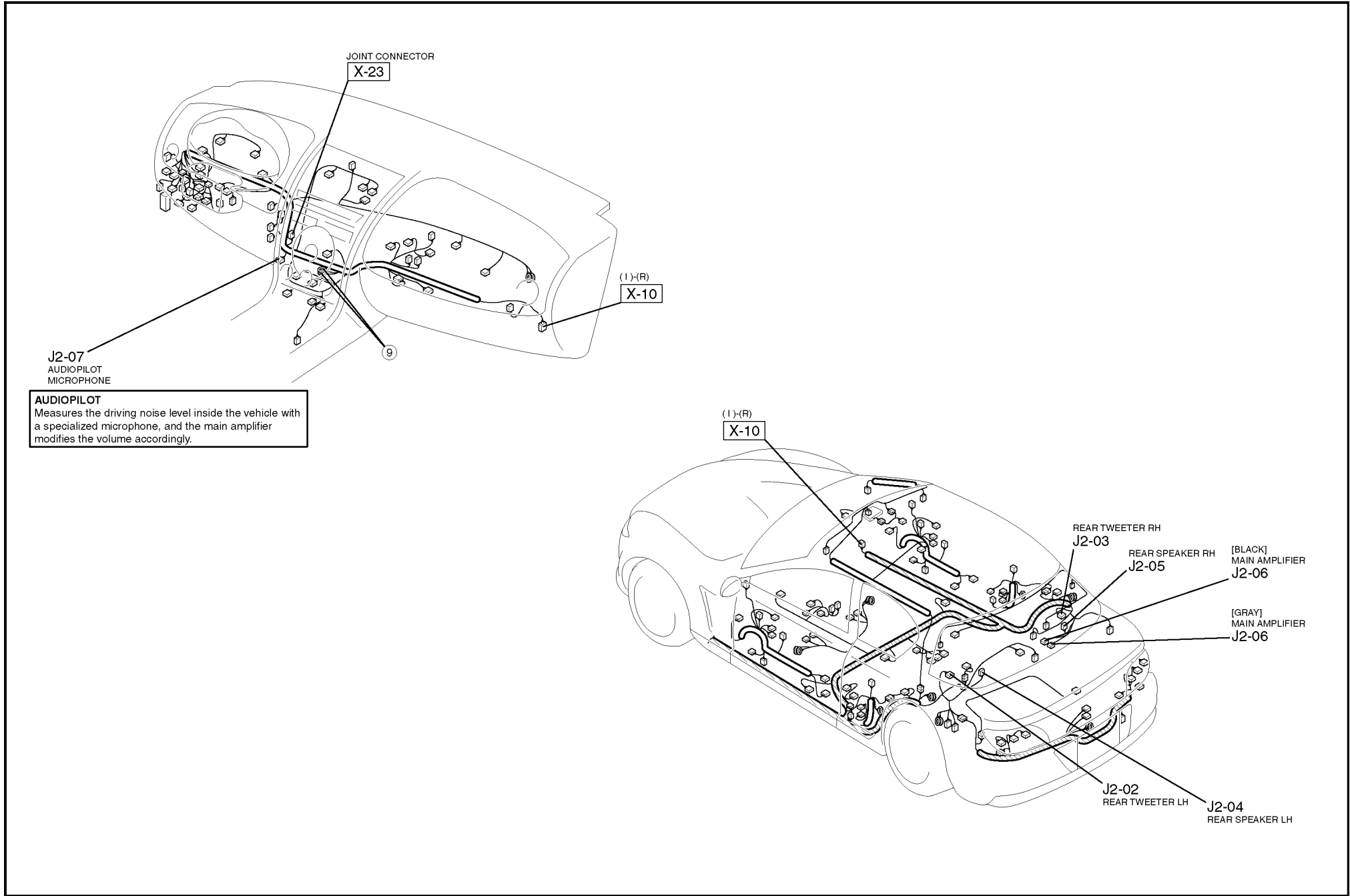


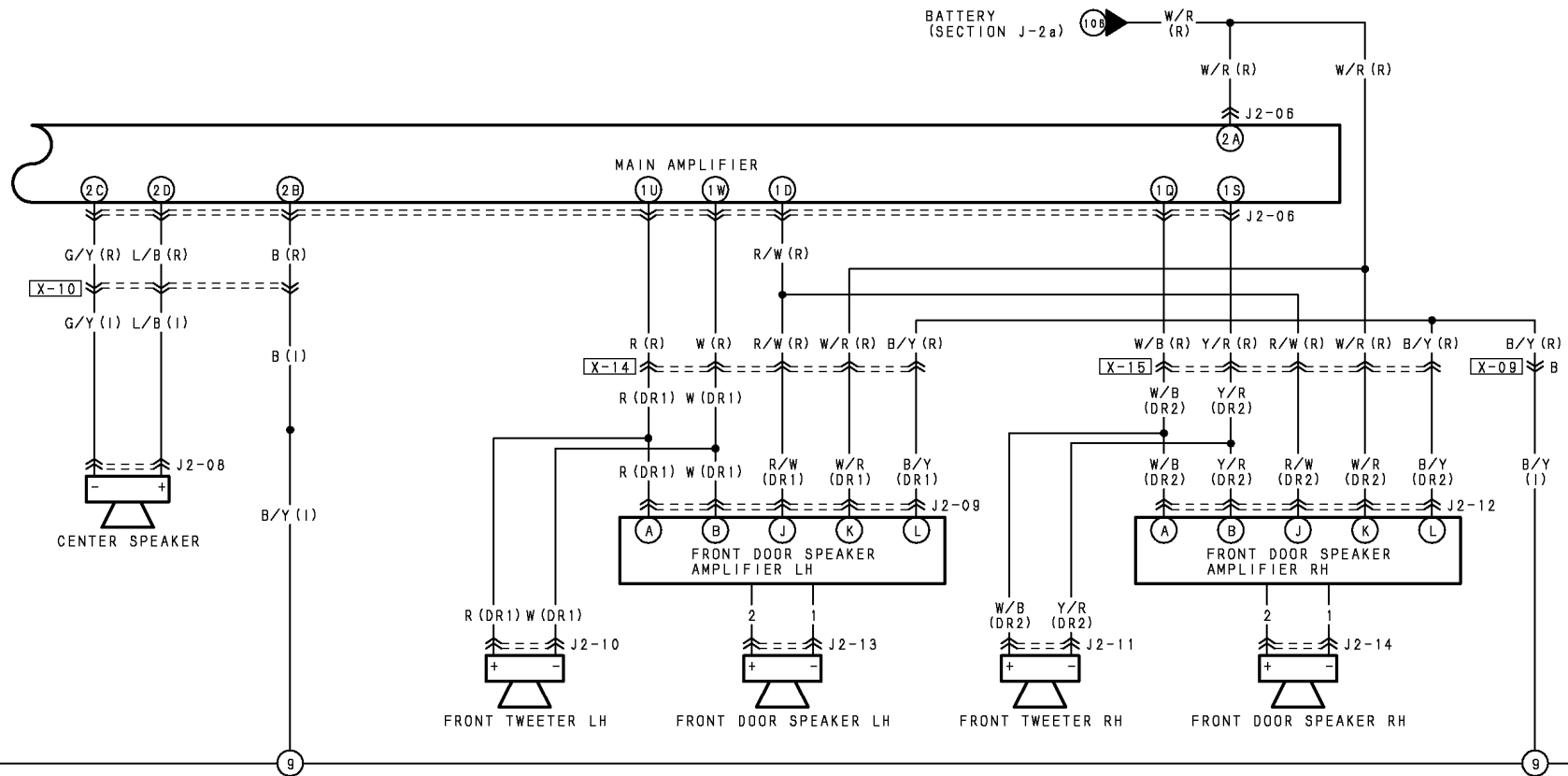
... BARE WIRE



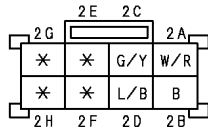
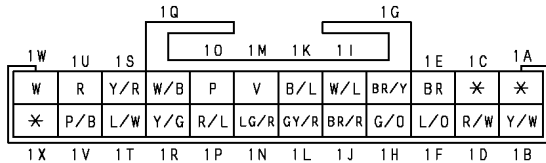
<p>J2-02 REAR TWEETER LH (R)</p>	<p>J2-03 REAR TWEETER RH (R)</p>	<p>J2-04 REAR SPEAKER LH (R)</p>	<p>J2-05 REAR SPEAKER RH (R)</p>	<p>J2-06 MAIN AMPLIFIER (R)</p> <table border="1" style="margin-left: auto; margin-right: auto;"> <tr> <td>1W</td><td>1U</td><td>1S</td><td>1Q</td><td>1M</td><td>1K</td><td>1I</td><td>1E</td><td>1C</td><td>1A</td> </tr> <tr> <td>W</td><td>R</td><td>Y/R</td><td>W/B</td><td>P</td><td>V</td><td>B/L</td><td>W/L</td><td>BR/Y</td><td>BR</td><td>*</td><td>*</td> </tr> <tr> <td>*</td><td>P/B</td><td>L/W</td><td>Y/G</td><td>R/L</td><td>LG/R</td><td>GY/R</td><td>BR/R</td><td>G/O</td><td>L/O</td><td>R/W</td><td>Y/W</td> </tr> <tr> <td>1X</td><td>1V</td><td>1T</td><td>1R</td><td>1P</td><td>1N</td><td>1L</td><td>1J</td><td>1H</td><td>1F</td><td>1D</td><td>1B</td> </tr> </table>	1W	1U	1S	1Q	1M	1K	1I	1E	1C	1A	W	R	Y/R	W/B	P	V	B/L	W/L	BR/Y	BR	*	*	*	P/B	L/W	Y/G	R/L	LG/R	GY/R	BR/R	G/O	L/O	R/W	Y/W	1X	1V	1T	1R	1P	1N	1L	1J	1H	1F	1D	1B
1W	1U	1S	1Q	1M	1K	1I	1E	1C	1A																																									
W	R	Y/R	W/B	P	V	B/L	W/L	BR/Y	BR	*	*																																							
*	P/B	L/W	Y/G	R/L	LG/R	GY/R	BR/R	G/O	L/O	R/W	Y/W																																							
1X	1V	1T	1R	1P	1N	1L	1J	1H	1F	1D	1B																																							
<p>J2-07 AUDIOPILOT MICROPHONE (I)</p> <p style="text-align: center;">B A</p> <p>* AudioPilot® is a registered trademark of Bose Corporation.</p>																																																		

HARNESS SYMBOL:  (F)  (E)  (R)





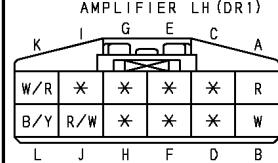
J2-06 MAIN AMPLIFIER (R)



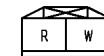
J2-08 CENTER SPEAKER (I)



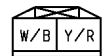
J2-09 FRONT DOOR SPEAKER AMPLIFIER LH (DR1)



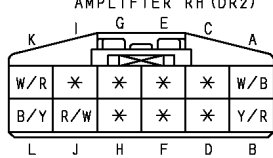
J2-10 FRONT TWEETER LH (DR1)



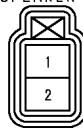
J2-11 FRONT TWEETER RH (DR2)



J2-12 FRONT DOOR SPEAKER AMPLIFIER RH (DR2)

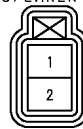


J2-13 FRONT DOOR SPEAKER LH (FRONT DOOR SPEAKER AMPLIFIER LH)



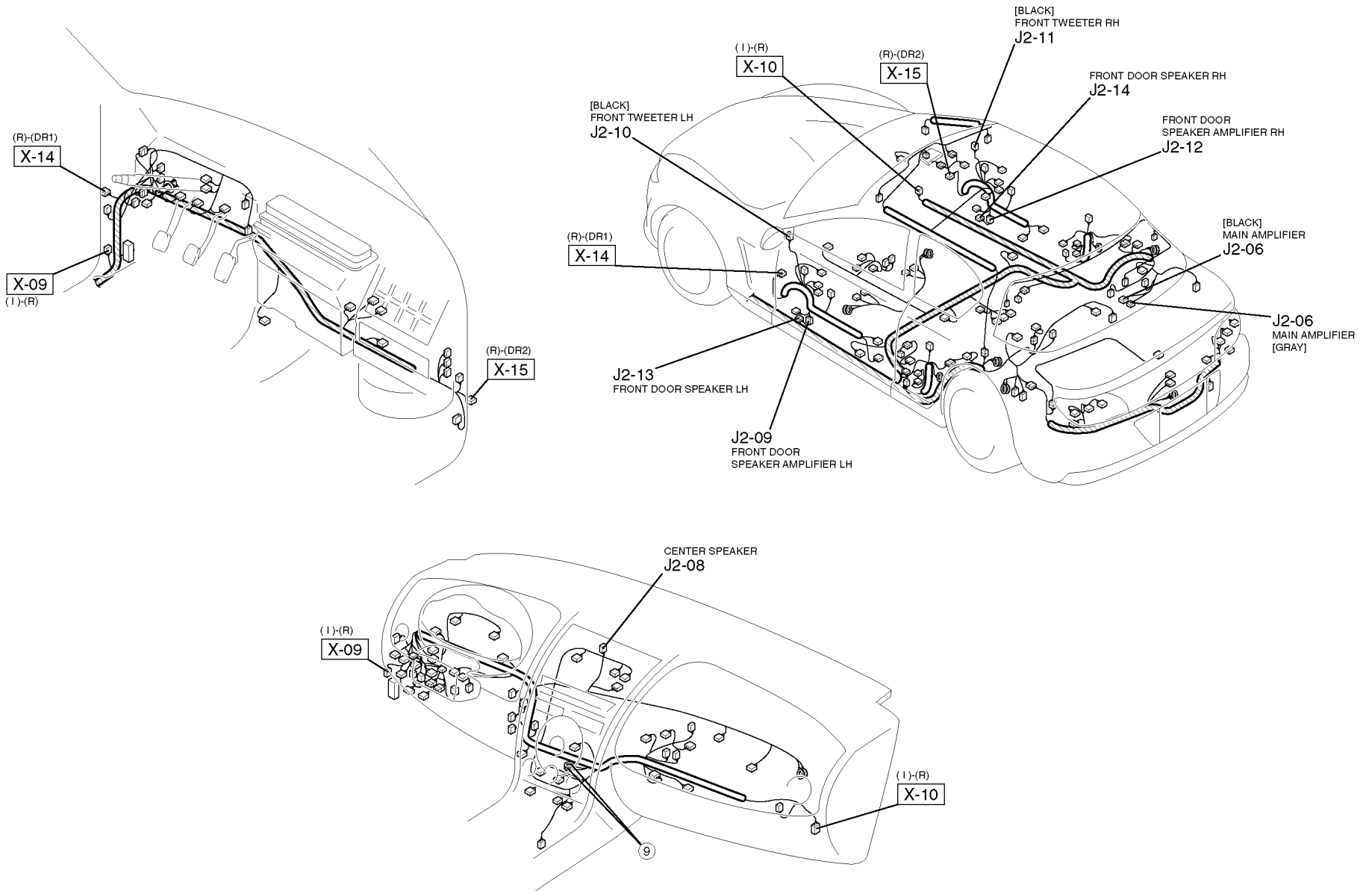
TERMINALS OF THIS CONNECTOR ARE INDICATED BY NUMBERS.

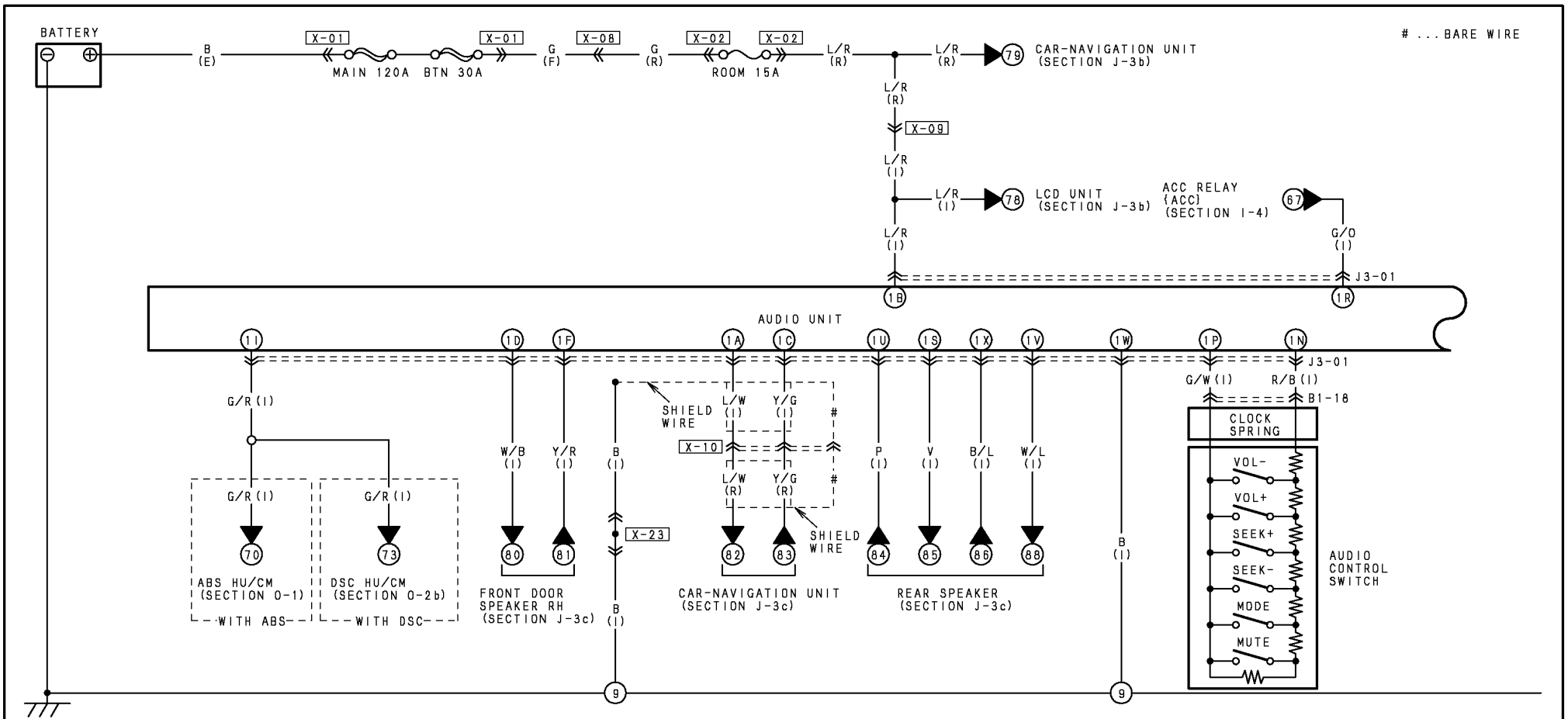
J2-14 FRONT DOOR SPEAKER RH (FRONT DOOR SPEAKER AMPLIFIER RH)



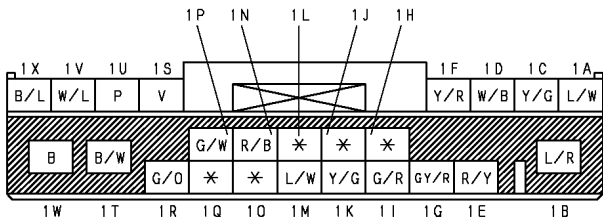
TERMINALS OF THIS CONNECTOR ARE INDICATED BY NUMBERS.

HARNESS SYMBOL:  (F)  (E)  (R)

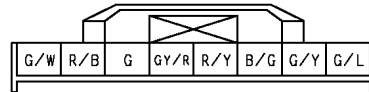




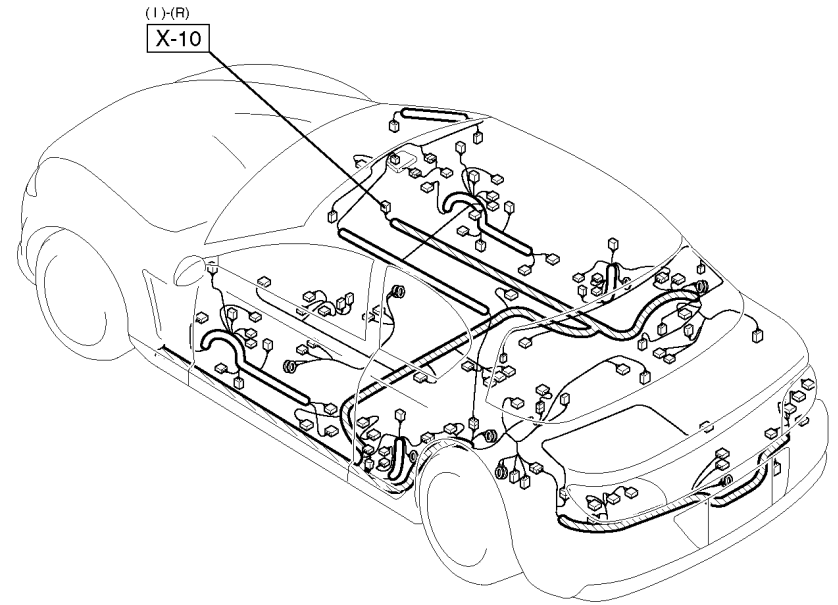
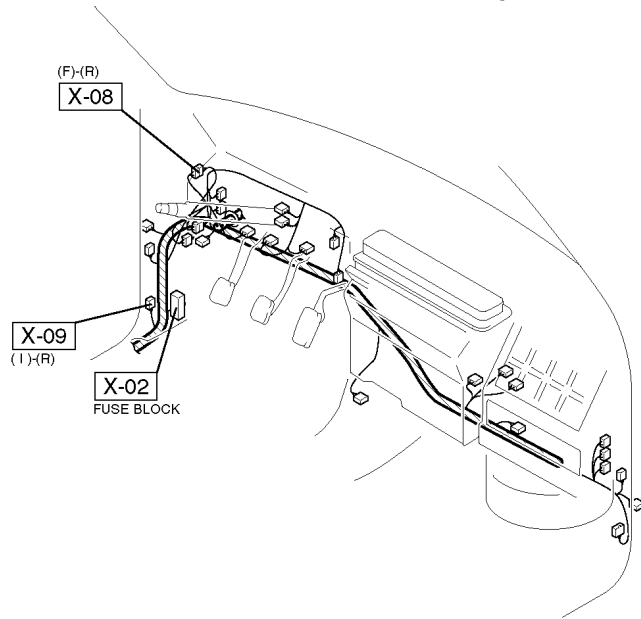
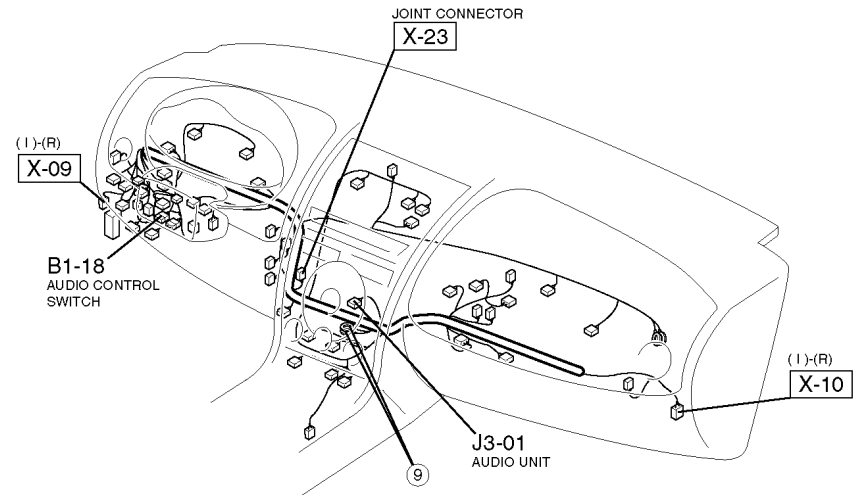
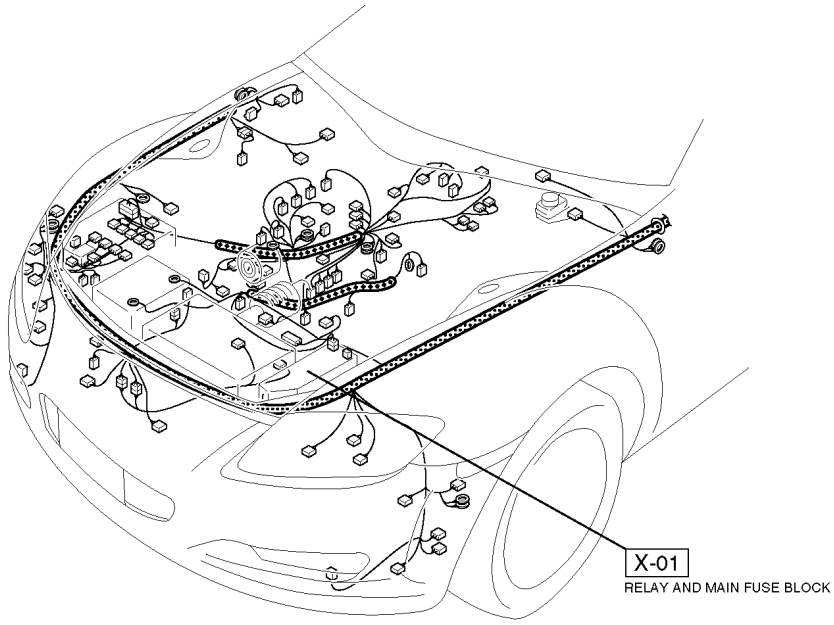
J3-01 AUDIO UNIT (1)

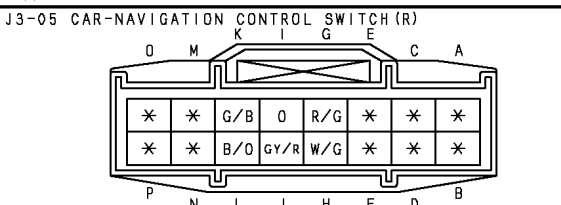
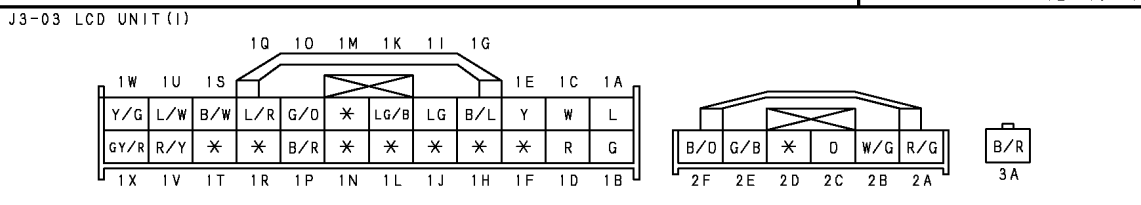
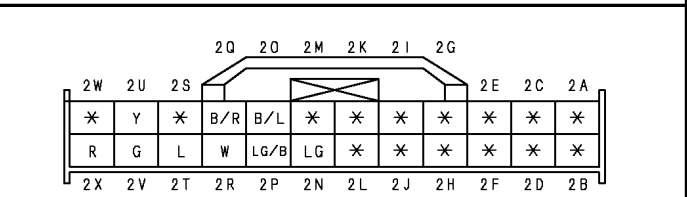
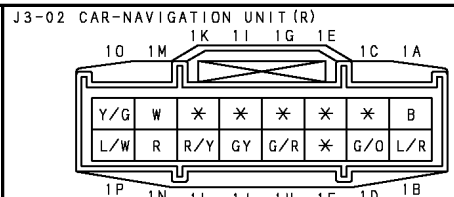
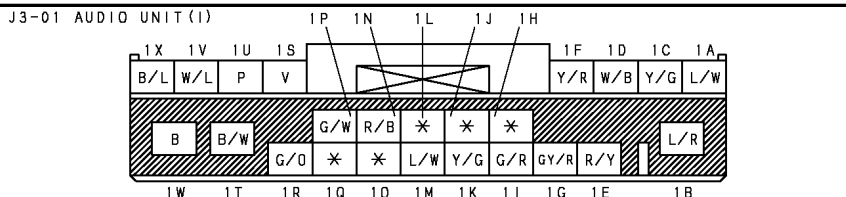
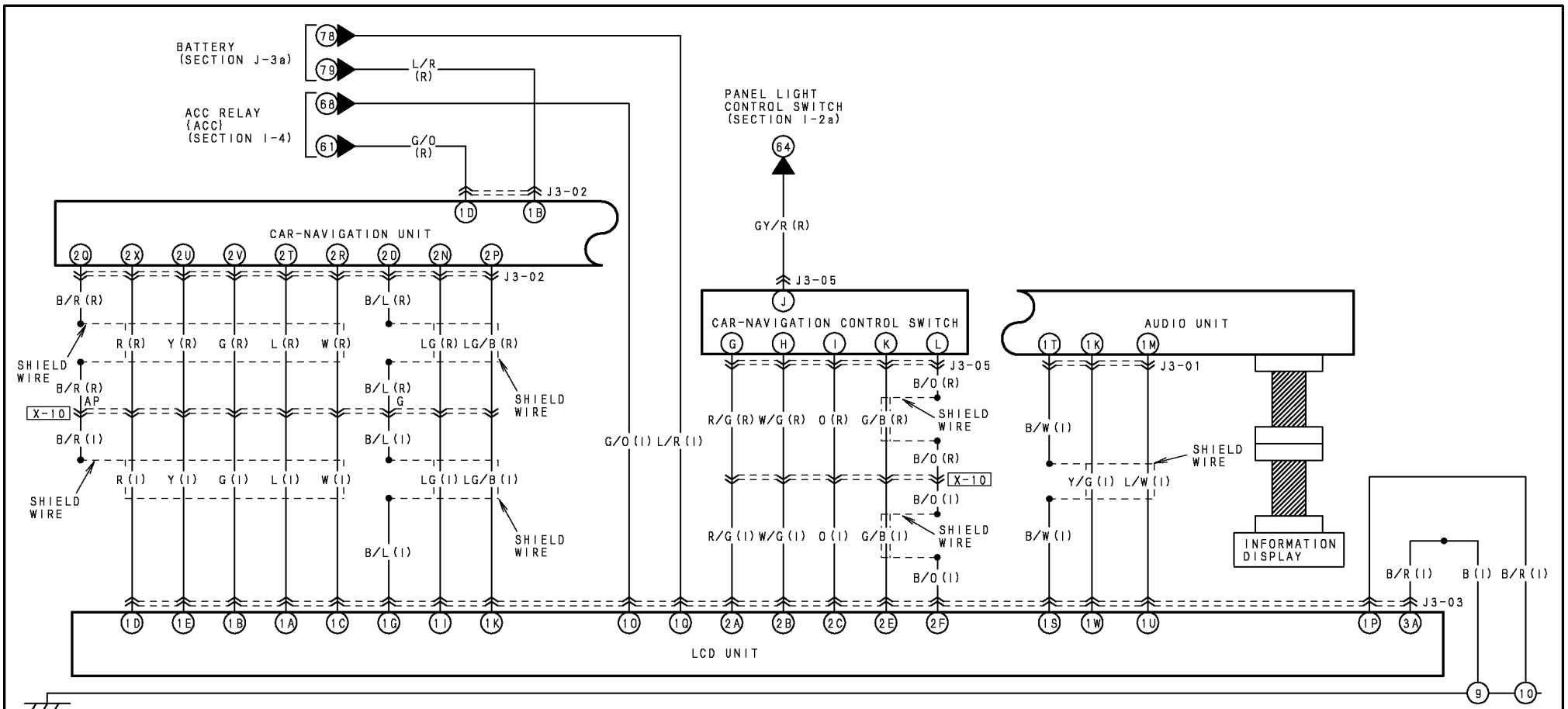


B1-18 AUDIO CONTROL SWITCH (1)
(CLOCK SPRING)

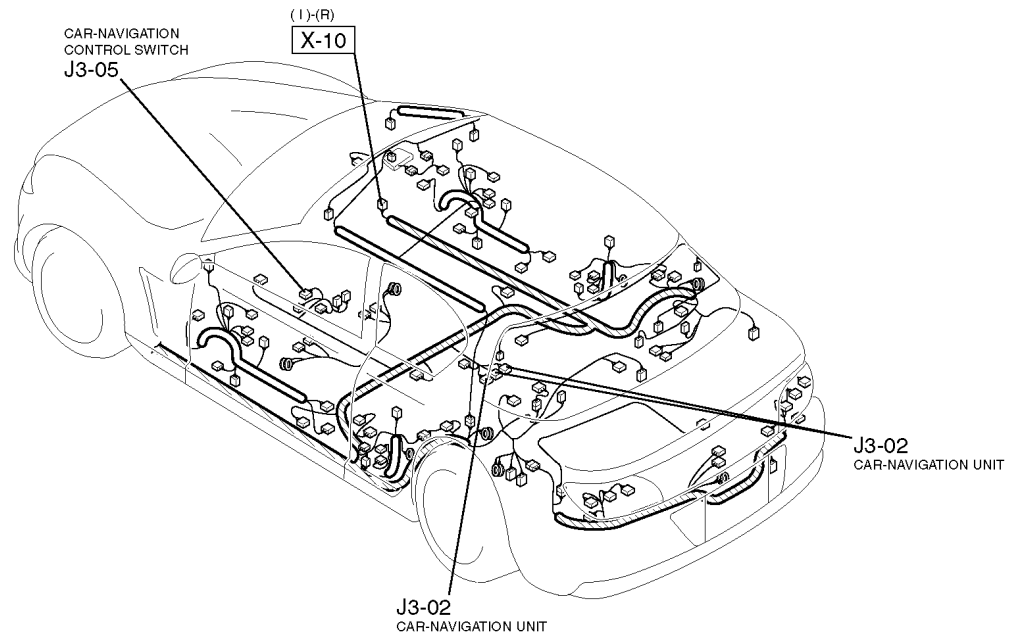
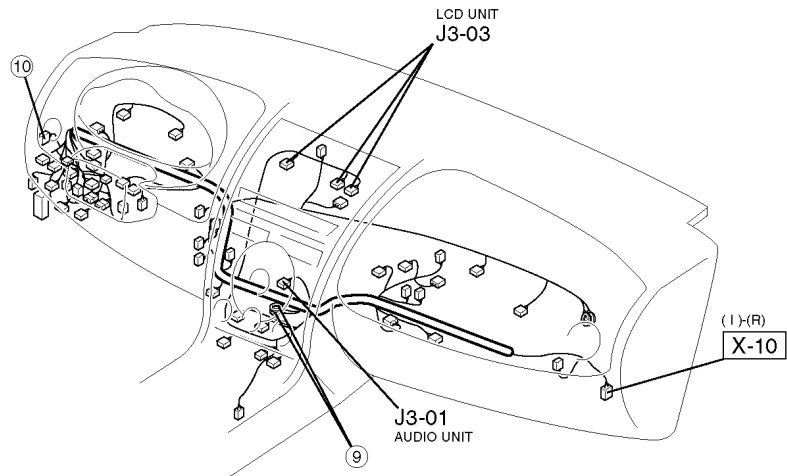


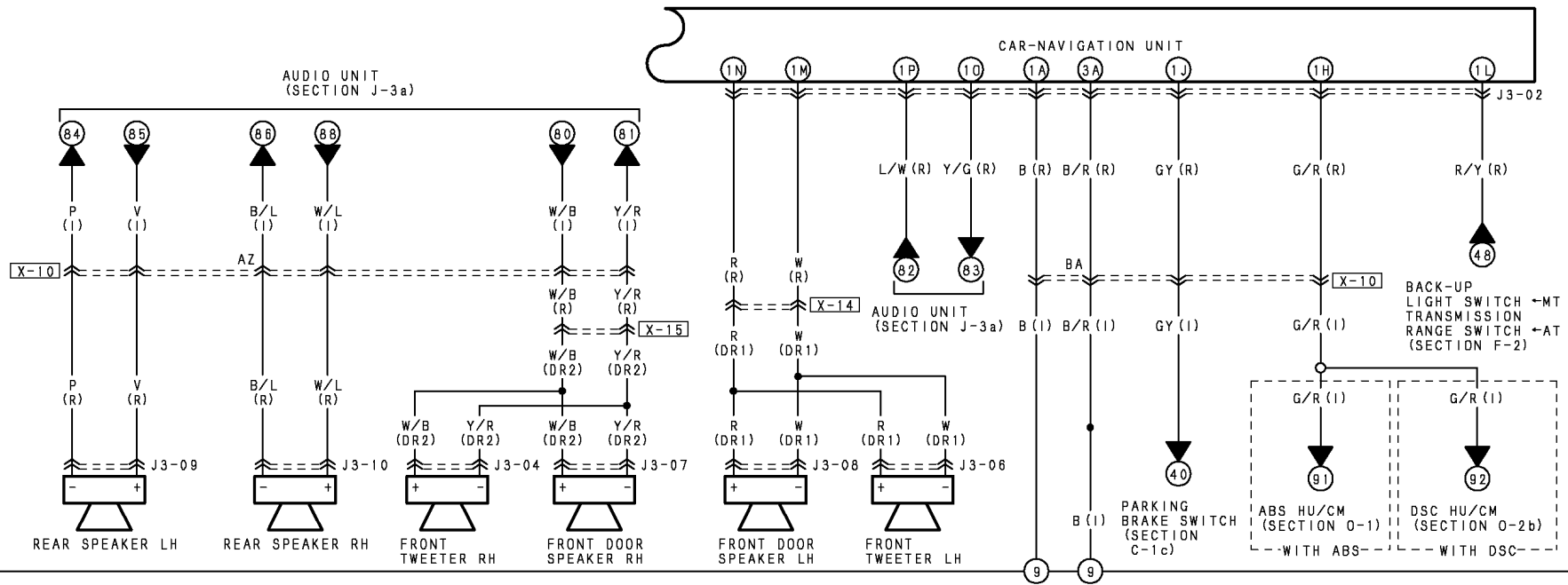
HARNESS SYMBOL:  (F)  (E)  (R)



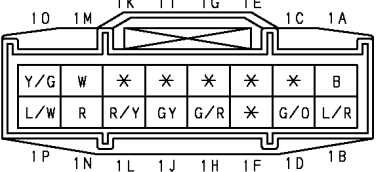


HARNESS SYMBOL:  (F)  (E)  (R)





J3-02 CAR-NAVIGATION UNIT (R)



J3-04 FRONT TWEETER RH (DR2)



J3-06 FRONT TWEETER LH (DR1)



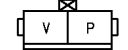
J3-07 FRONT DOOR SPEAKER RH (DR2)



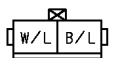
J3-08 FRONT DOOR SPEAKER LH (DR1)



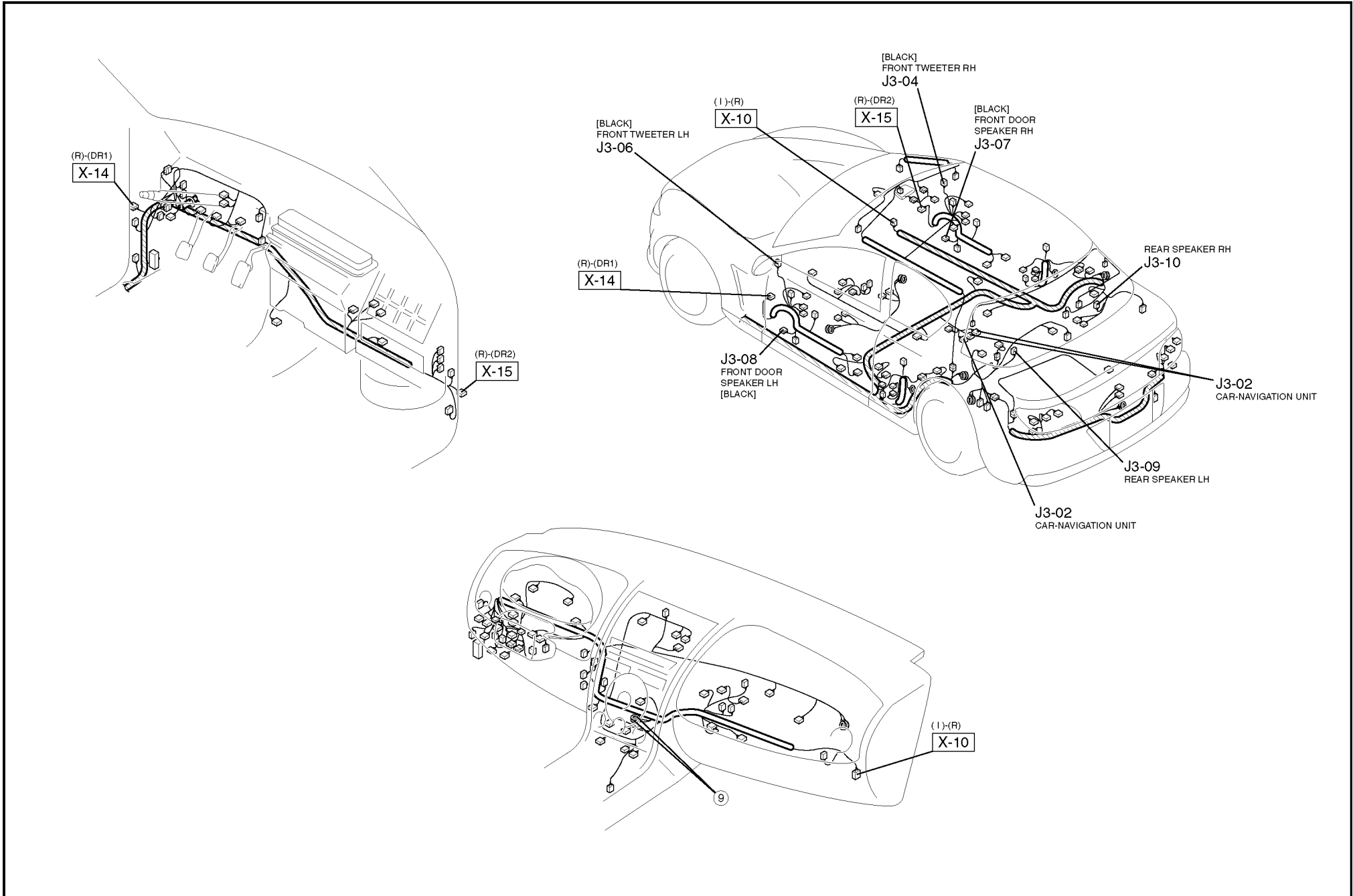
J3-09 REAR SPEAKER LH (R)

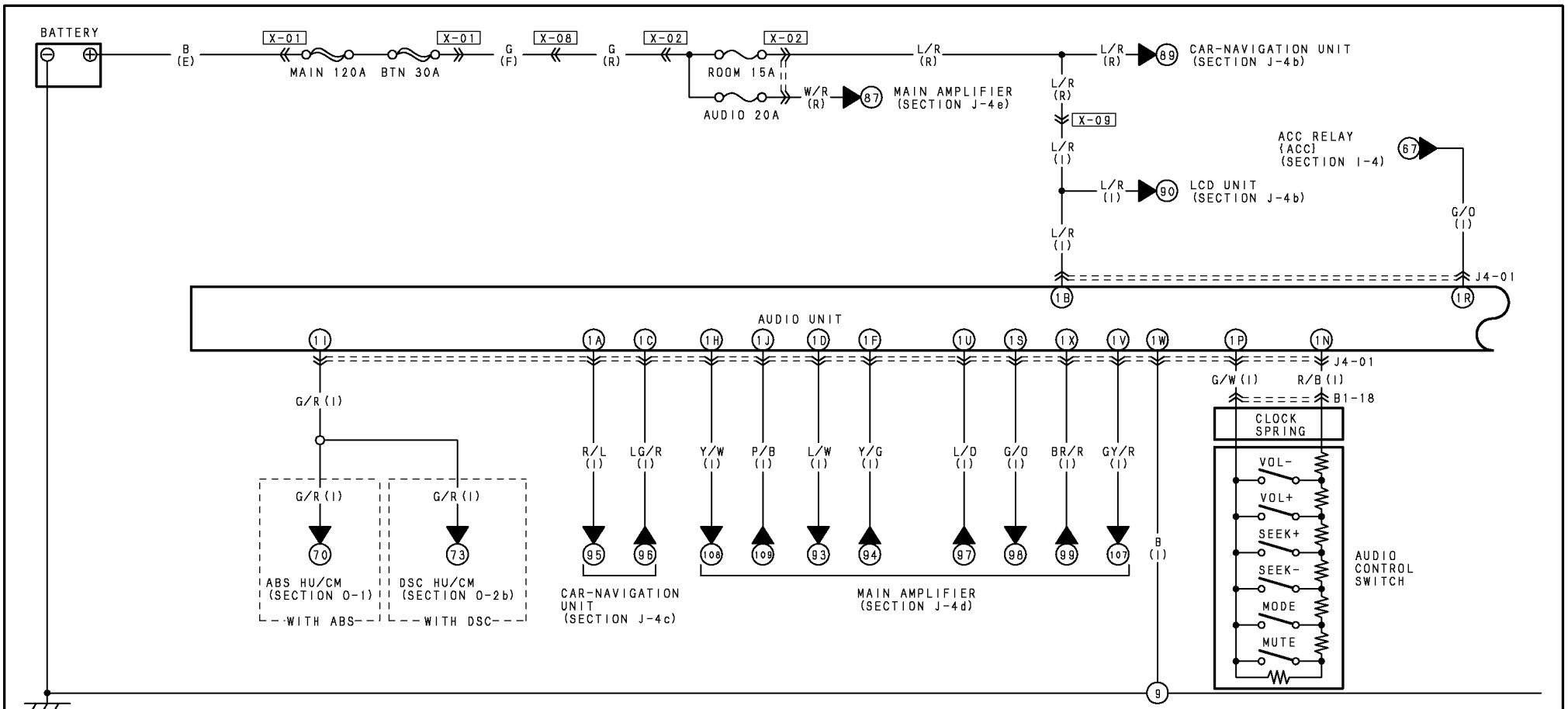


J3-10 REAR SPEAKER RH (R)

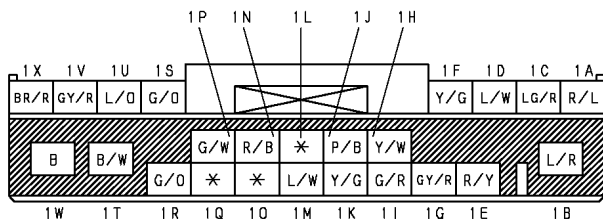


HARNESS SYMBOL:  (F)  (E)  (R)

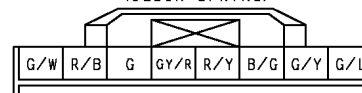




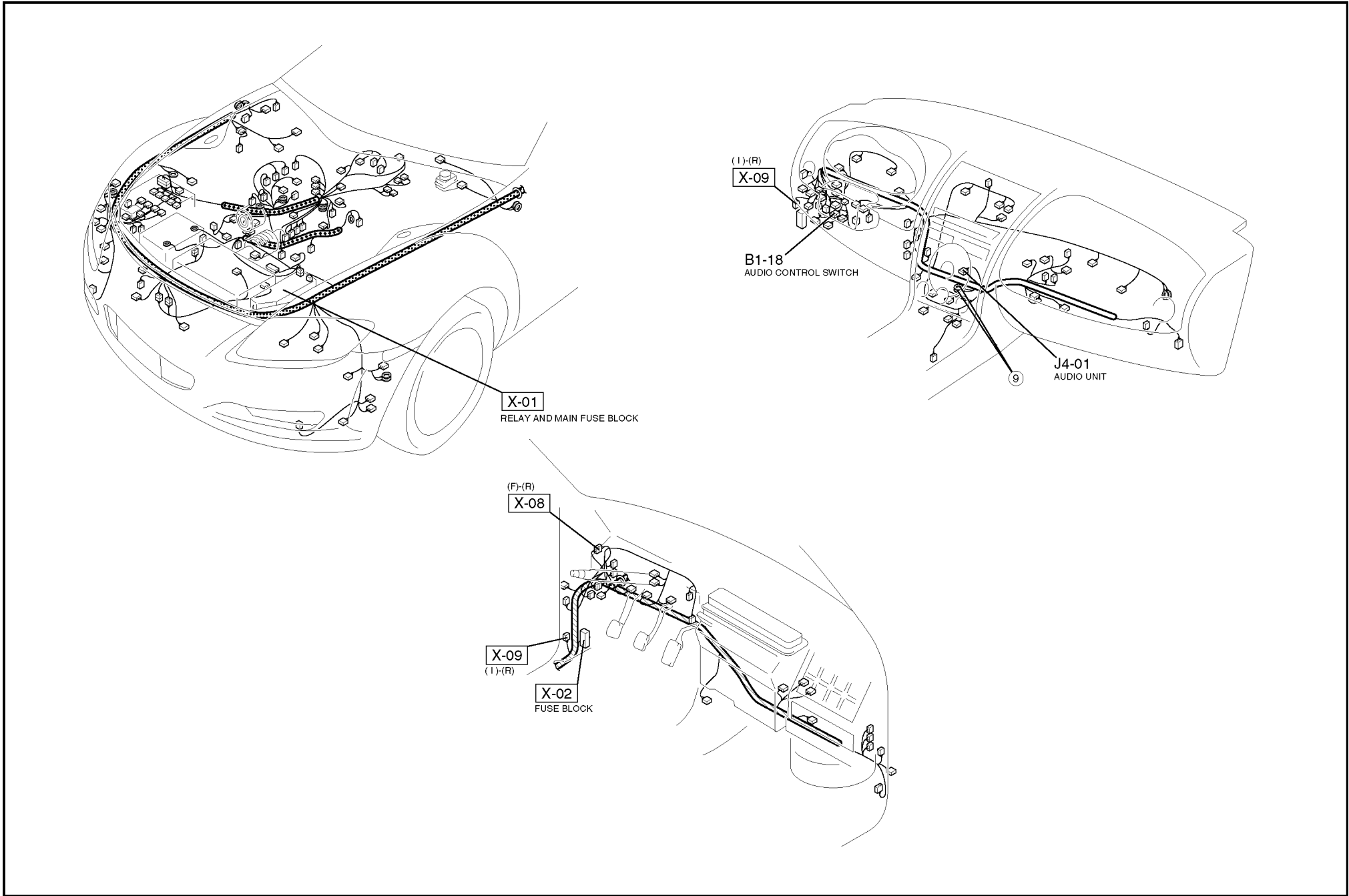
J4-01 AUDIO UNIT (I)

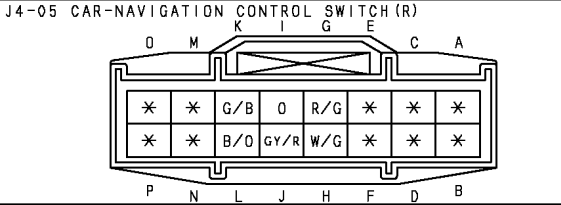
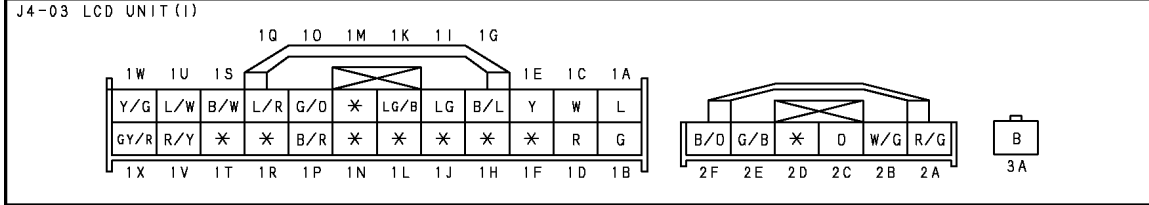
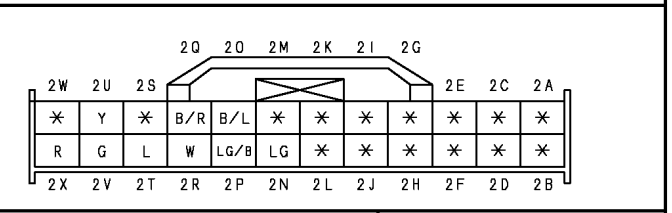
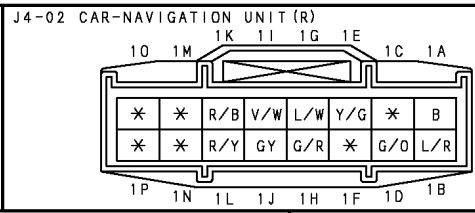
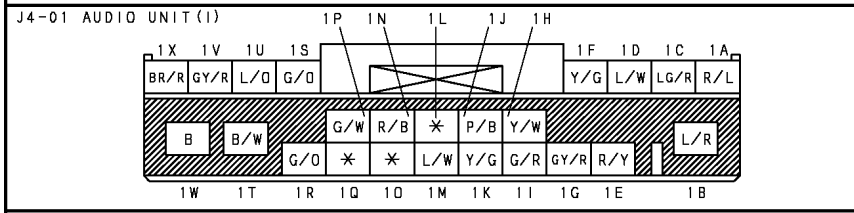
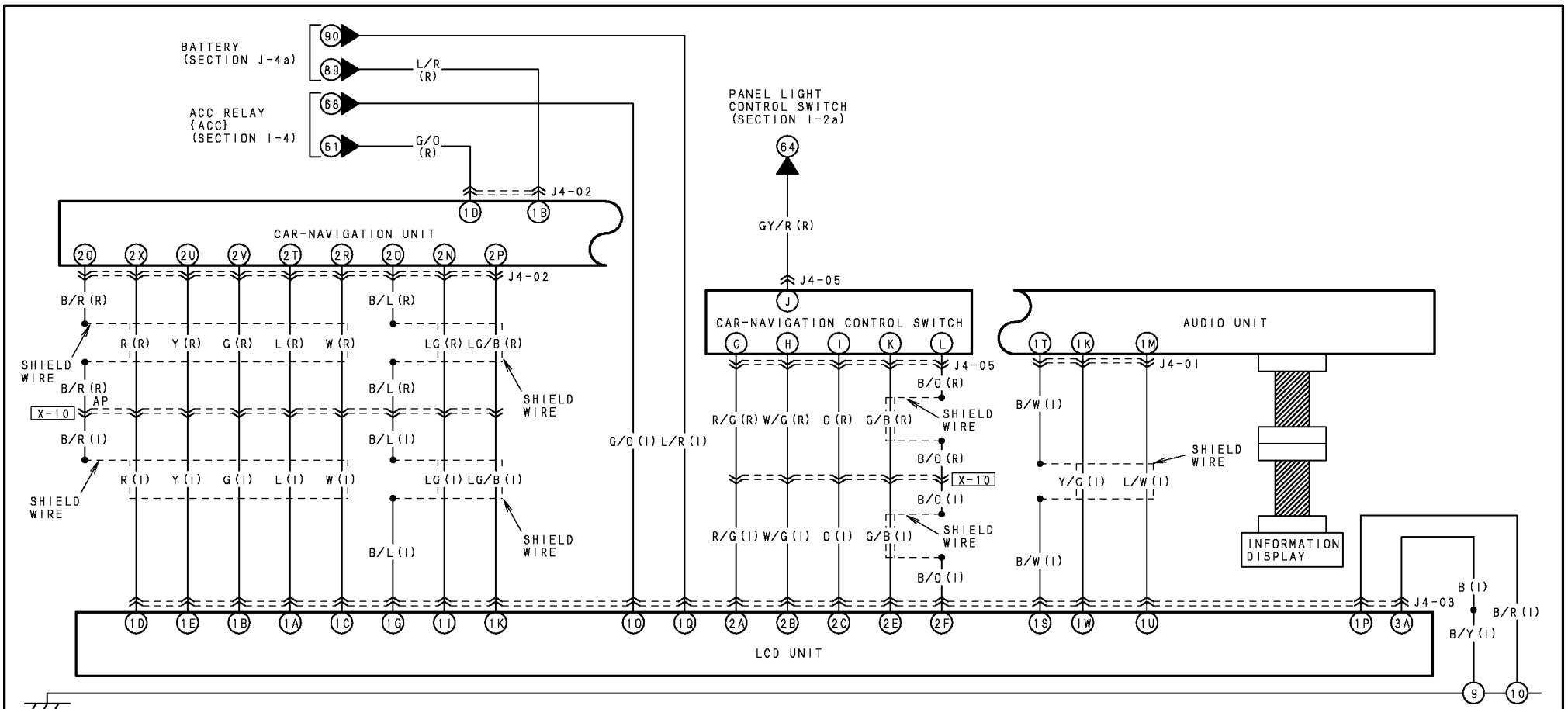


B1-18 AUDIO CONTROL SWITCH (I)
(CLOCK SPRING)

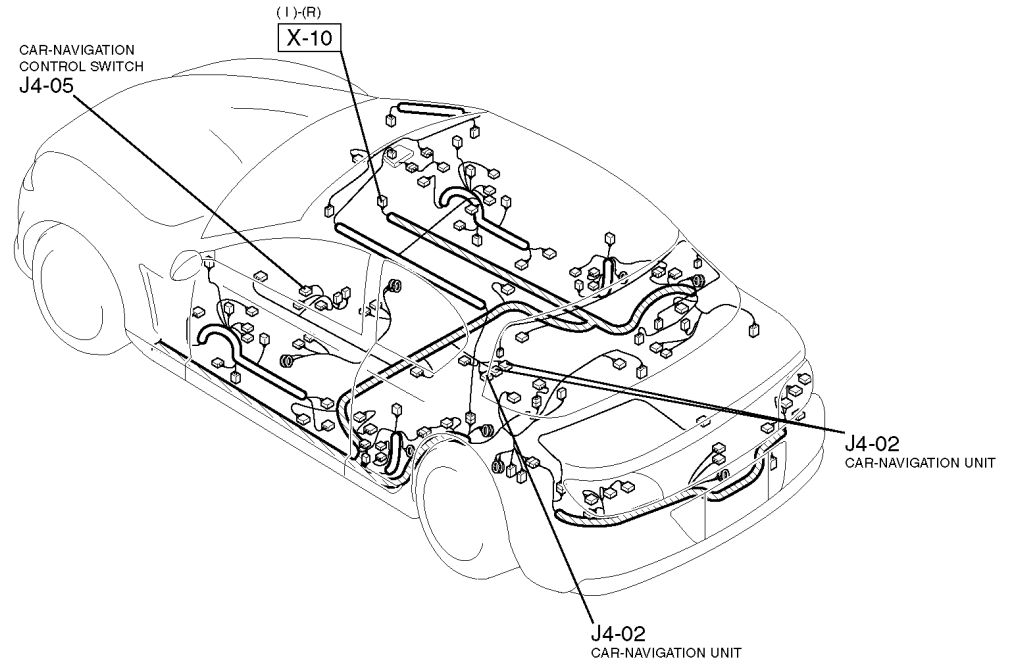
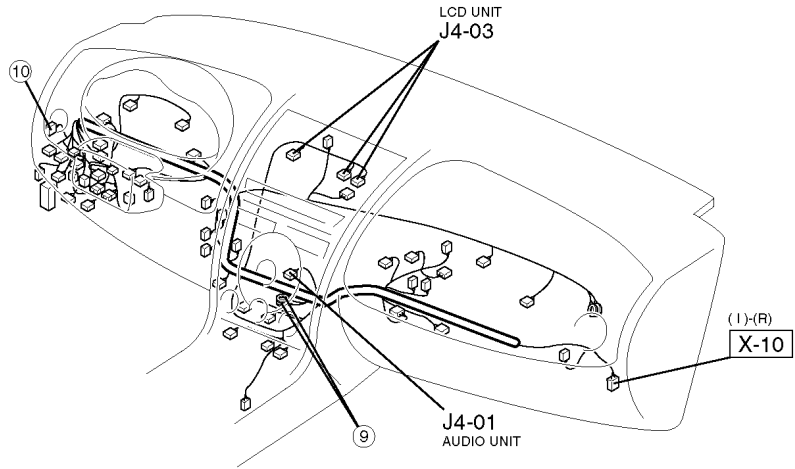


HARNES SYMBOL:  (F)  (E)  (R)

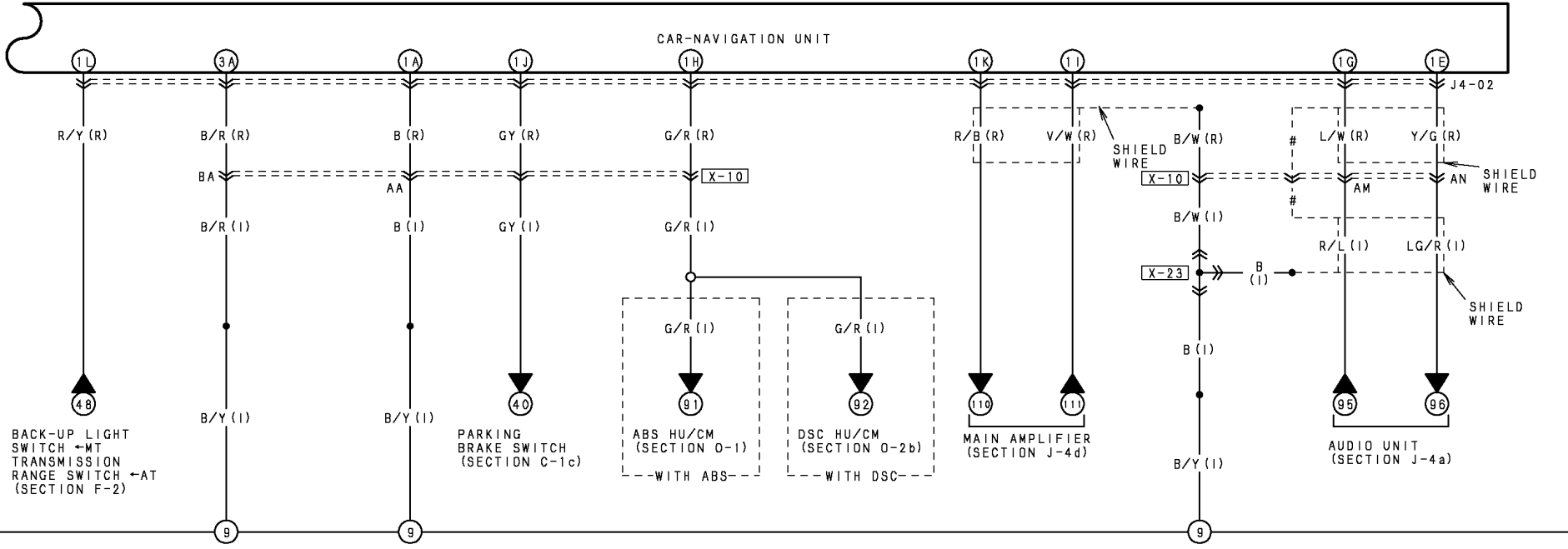




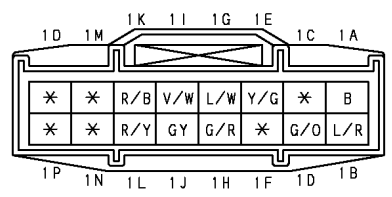
HARNESS SYMBOL:  (F)  (E)  (R)



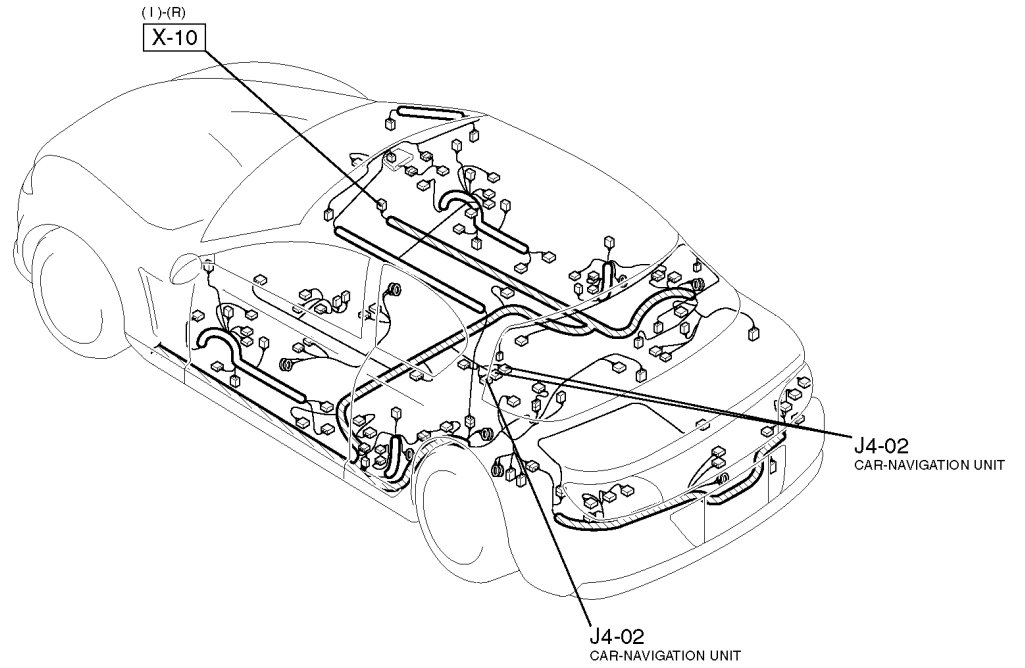
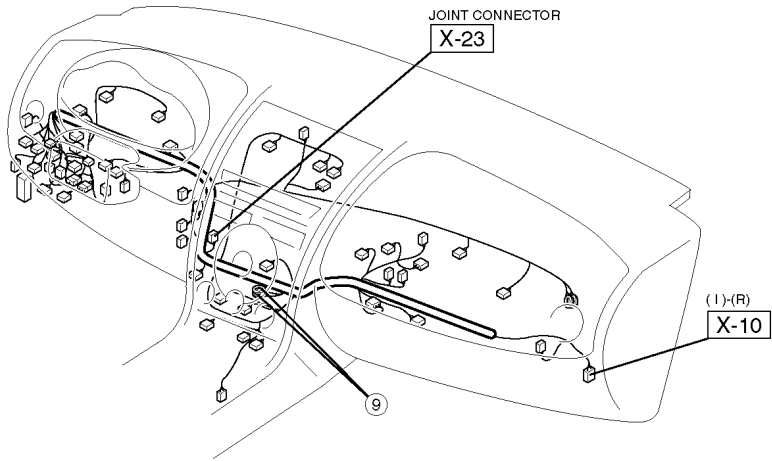
... BARE WIRE

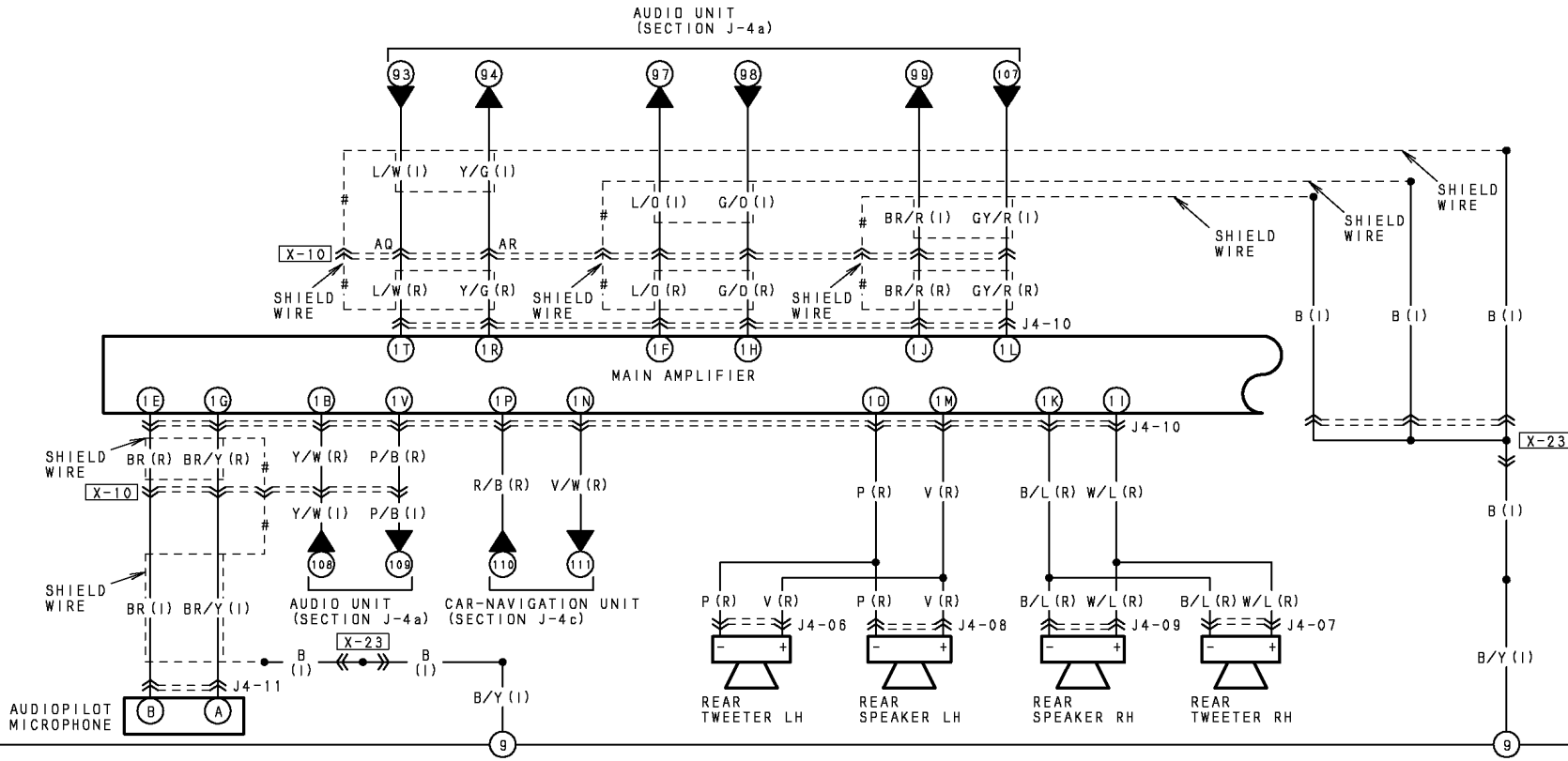


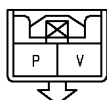
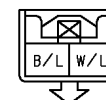
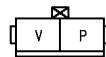
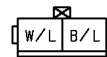
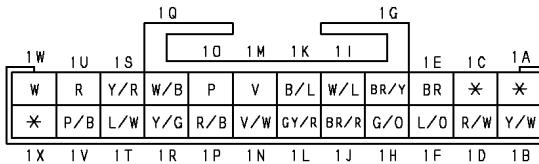
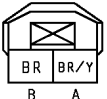
J4-02 CAR-NAVIGATION UNIT (R)



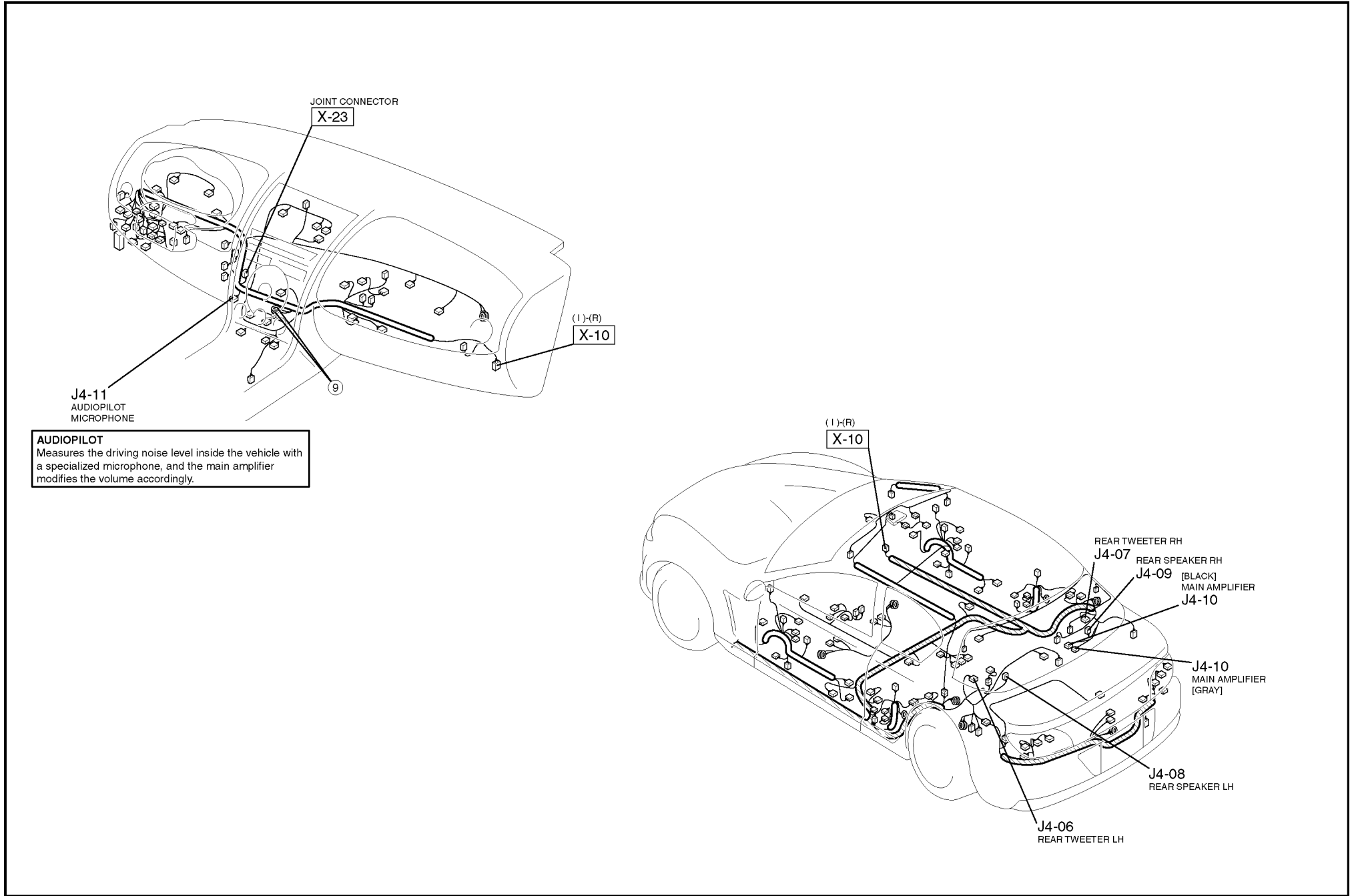
HARNESS SYMBOL:  (F)  (E)  (R)

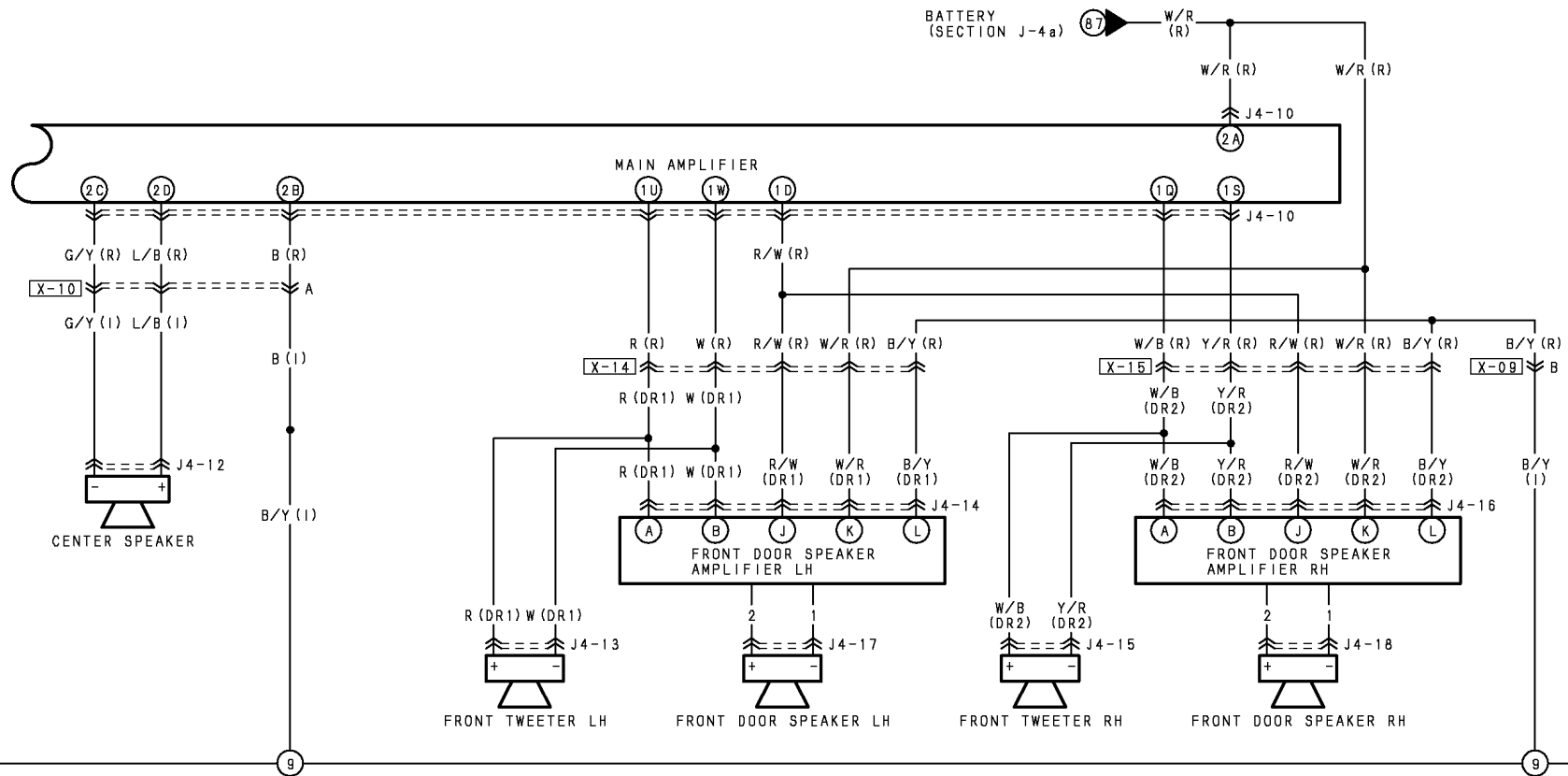




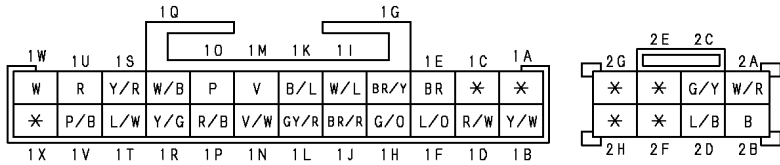
<p>J4-06 REAR TWEETER LH (R)</p> 	<p>J4-07 REAR TWEETER RH (R)</p> 	<p>J4-08 REAR SPEAKER LH (R)</p> 	<p>J4-09 REAR SPEAKER RH (R)</p> 	<p>J4-10 MAIN AMPLIFIER (R)</p> 
<p>J4-11 AUDIOPILOT MICROPHONE (I)</p>  <p>B A</p> <p>*AudioPilot* is a registered trademark of Bose Corporation.</p>				

HARNESS SYMBOL:  (F)  (E)  (R)





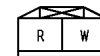
J4-10 MAIN AMPLIFIER (R)



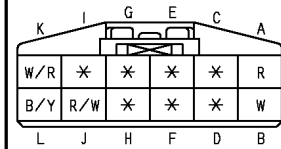
J4-12 CENTER SPEAKER (I)



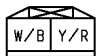
J4-13 FRONT TWEETER LH (DR1)



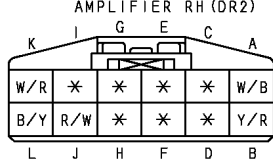
J4-14 FRONT DOOR SPEAKER AMPLIFIER LH (DR1)



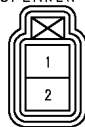
J4-15 FRONT TWEETER RH (DR2)



J4-16 FRONT DOOR SPEAKER AMPLIFIER RH (DR2)



J4-17 FRONT DOOR SPEAKER LH (FRONT DOOR SPEAKER AMPLIFIER LH)



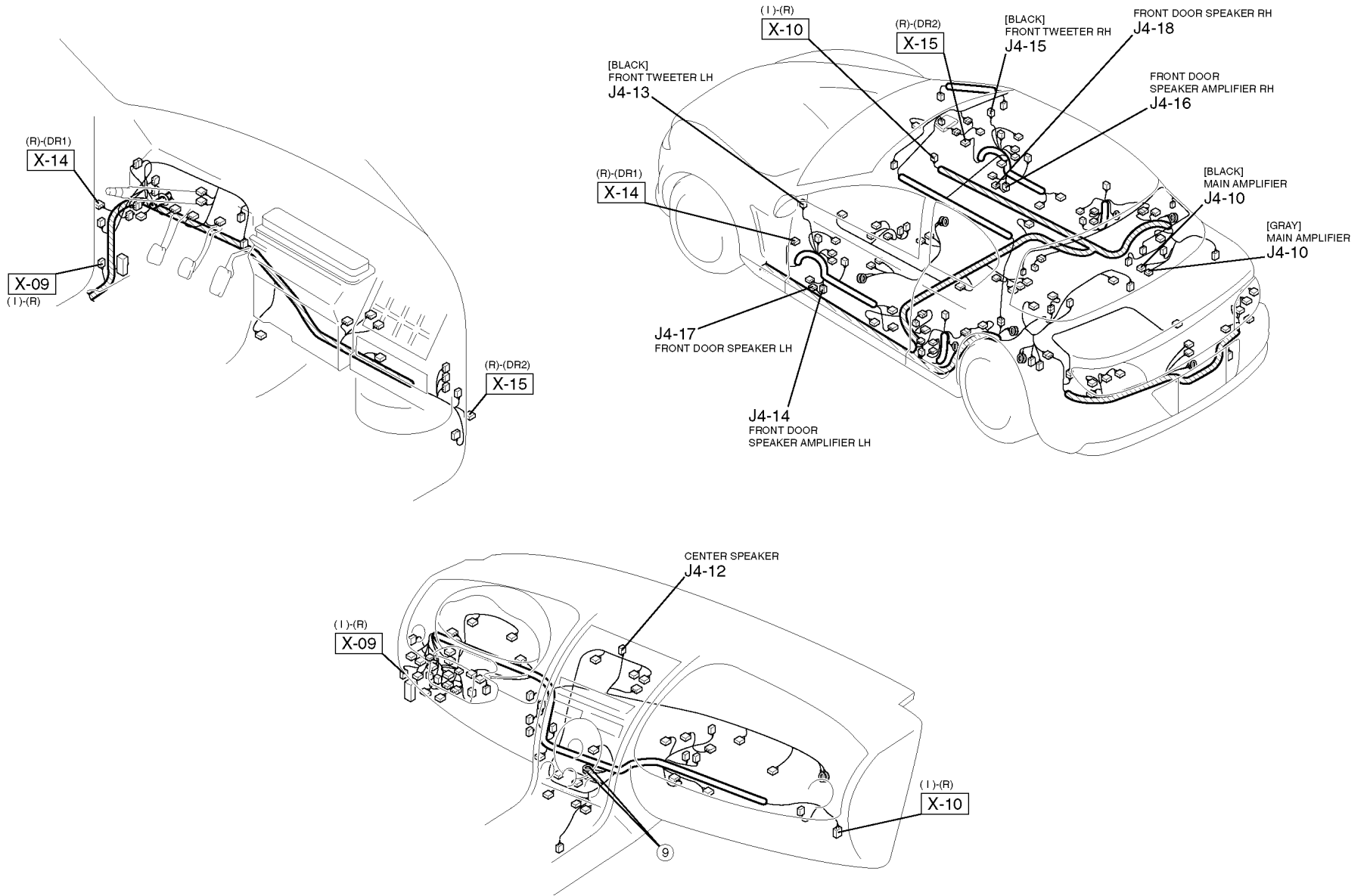
TERMINALS OF THIS CONNECTOR ARE INDICATED BY NUMBERS.

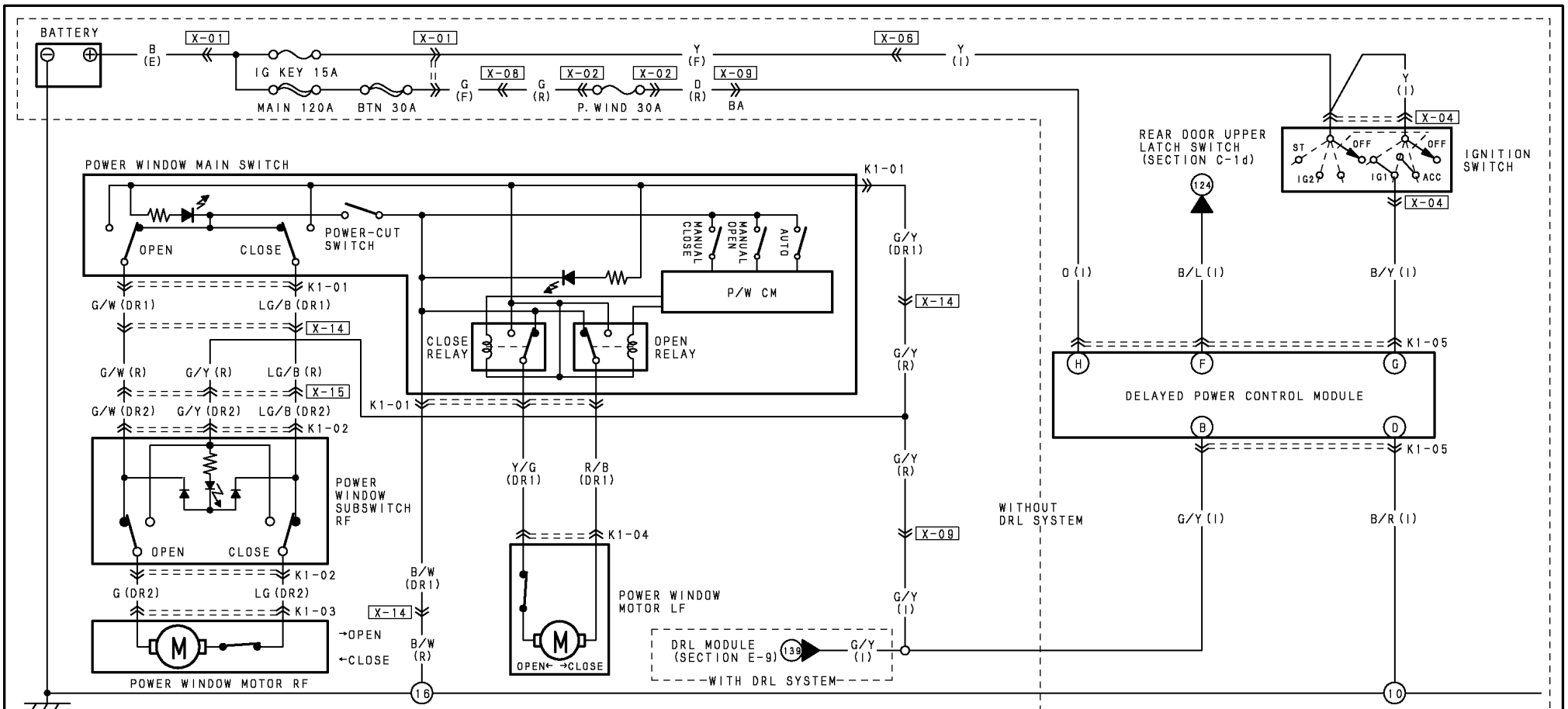
J4-18 FRONT DOOR SPEAKER RH (FRONT DOOR SPEAKER AMPLIFIER RH)



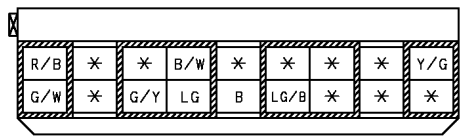
TERMINALS OF THIS CONNECTOR ARE INDICATED BY NUMBERS.

HARNESS SYMBOL:  (F)  (E)  (R)

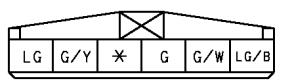




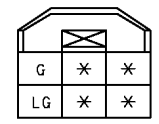
K1-01 POWER WINDOW MAIN SWITCH (DR1)



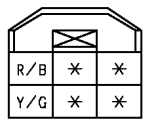
K1-02 POWER WINDOW SUBSWITCH RF (DR2)



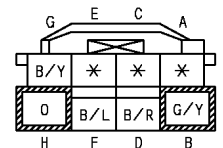
K1-03 POWER WINDOW MOTOR RF (DR2)



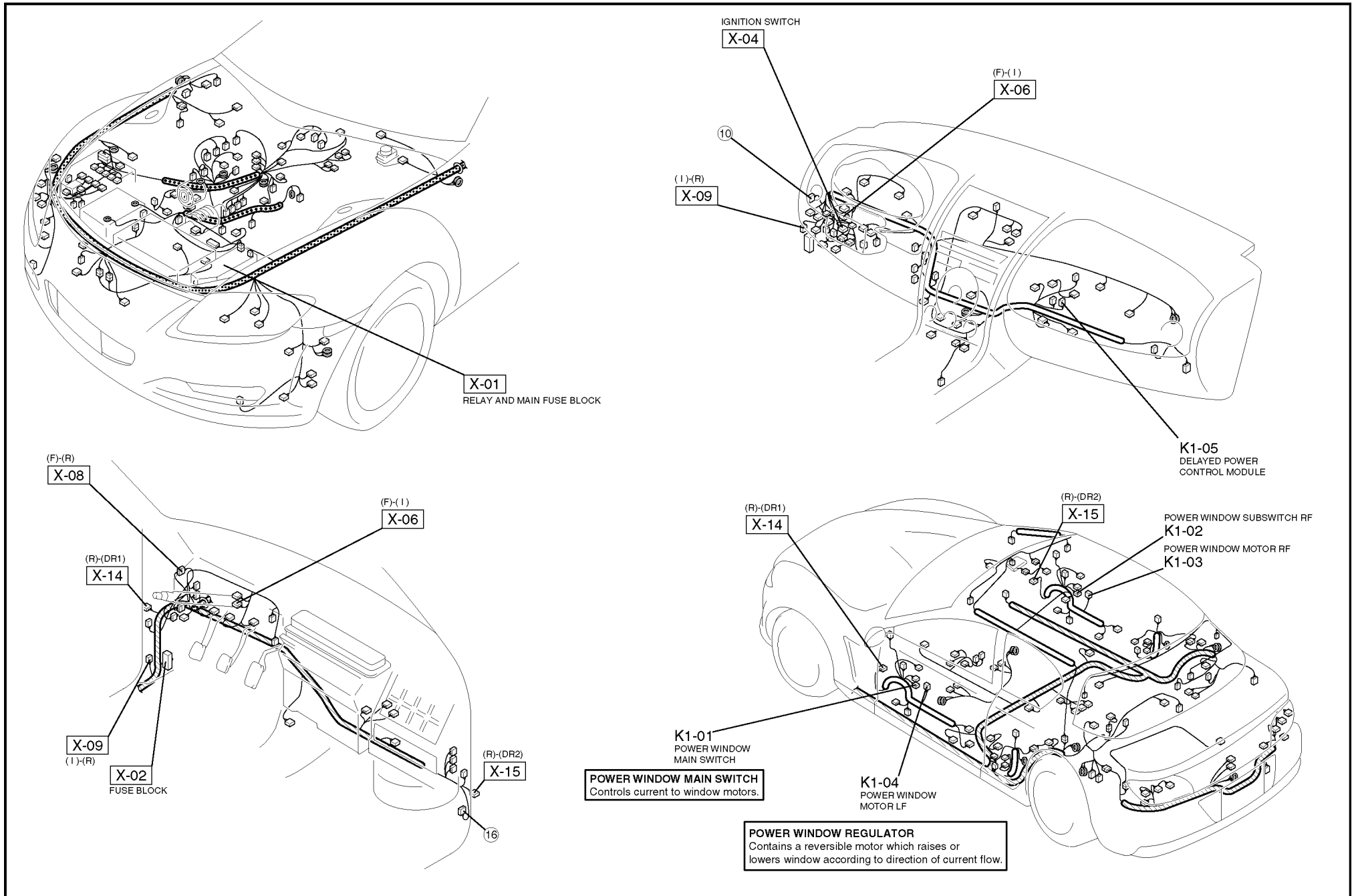
K1-04 POWER WINDOW MOTOR LF (DR1)

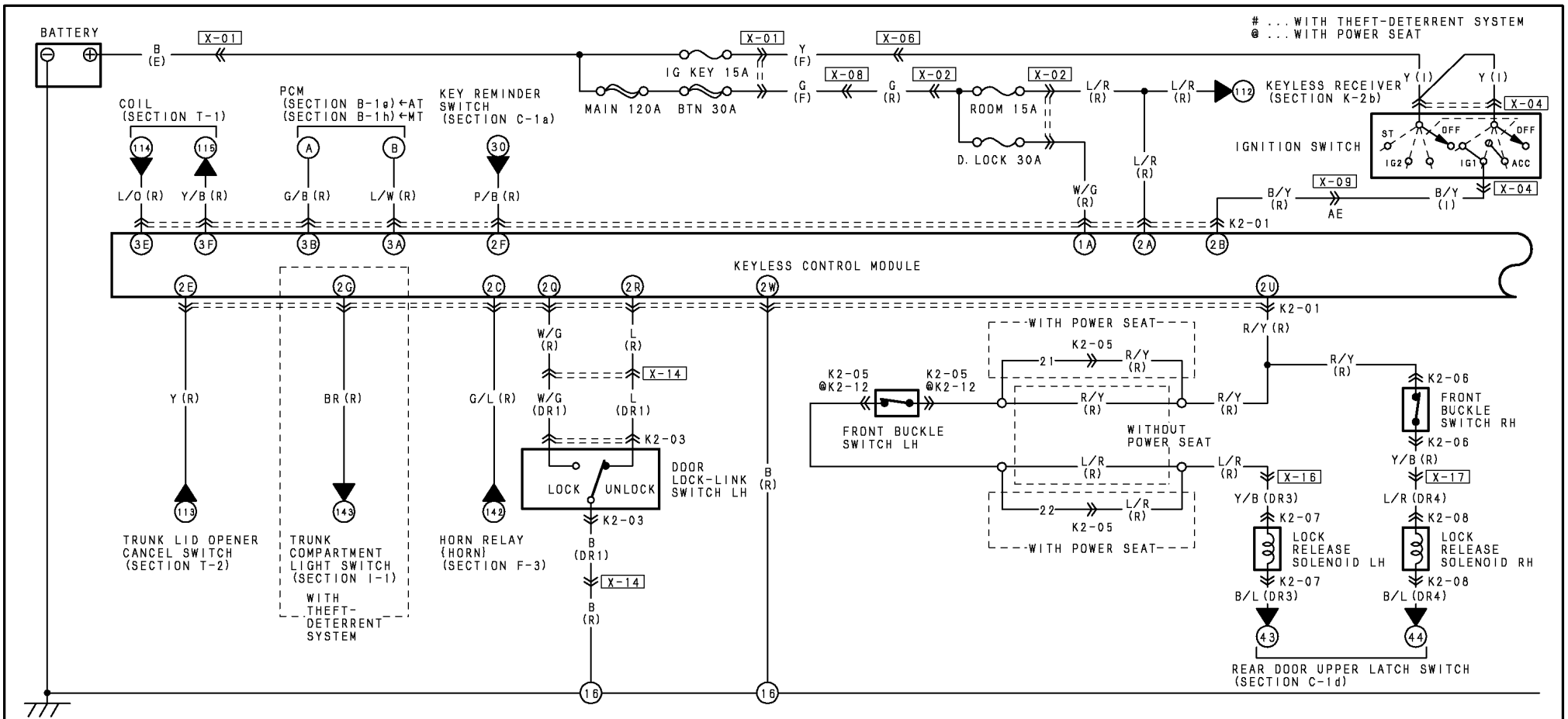


K1-05 DELAYED POWER CONTROL MODULE (I)

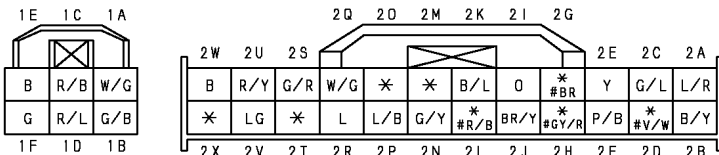


HARNESS SYMBOL:  (F)  (E)  (R)

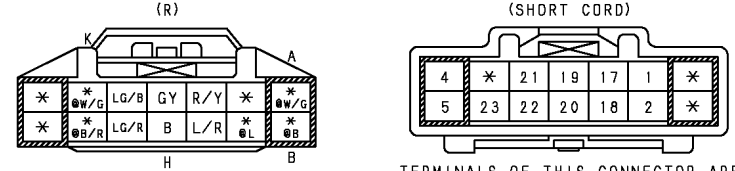




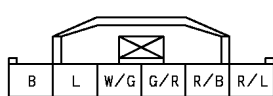
K2-01 KEYLESS CONTROL MODULE (R)



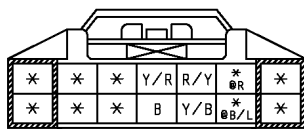
K2-05 REAR (R)-SHORT CORD +WITH POWER SEAT FRONT BUCKLE SWITCH LH (R) +WITHOUT POWER SEAT



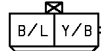
K2-03 DOOR LOCK-LINK SWITCH LH (DR1)



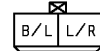
K2-06 FRONT BUCKLE SWITCH RH (R)



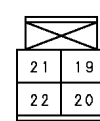
K2-07 LOCK RELEASE SOLENOID LH (DR3)



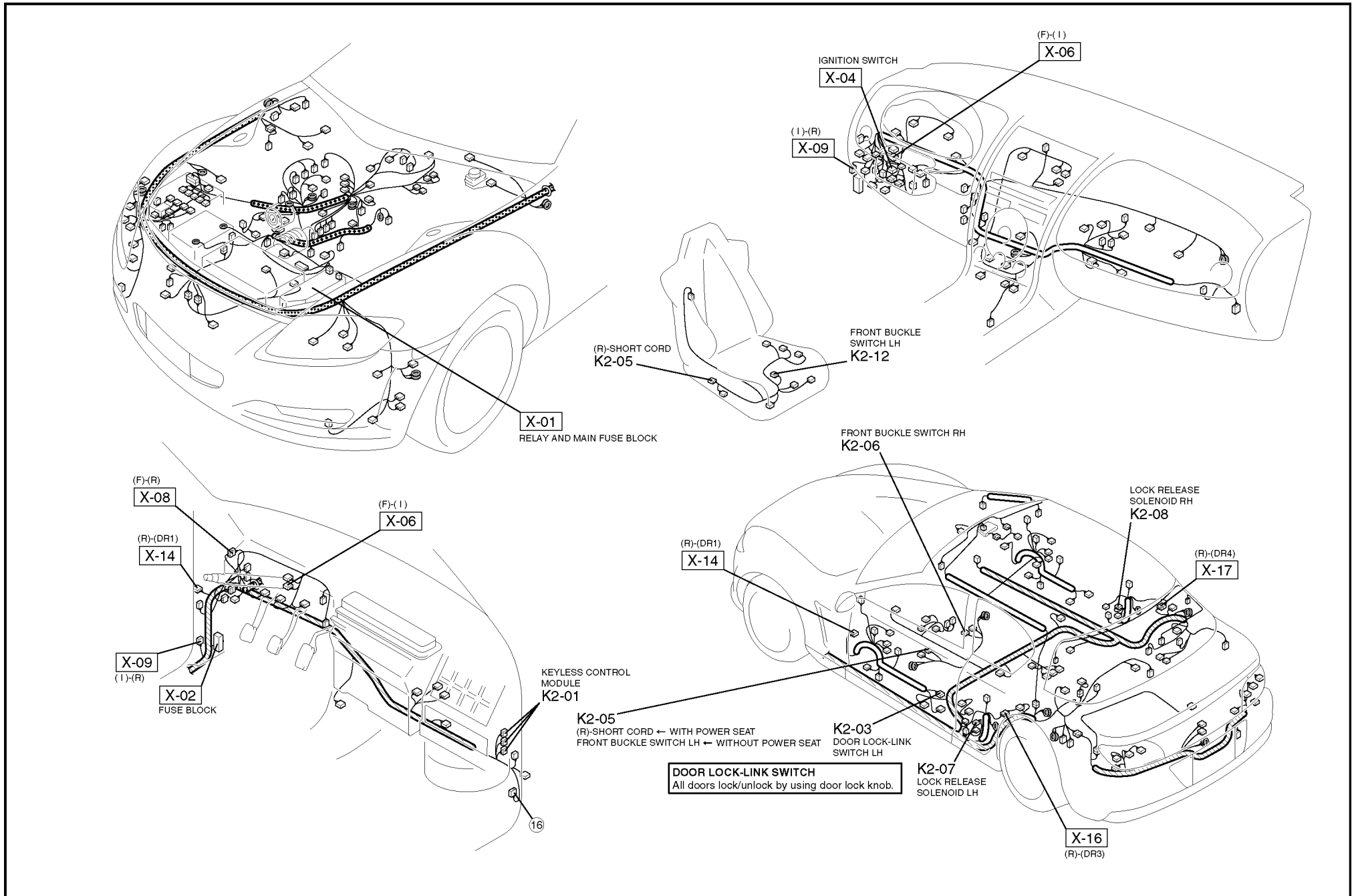
K2-08 LOCK RELEASE SOLENOID RH (DR4)

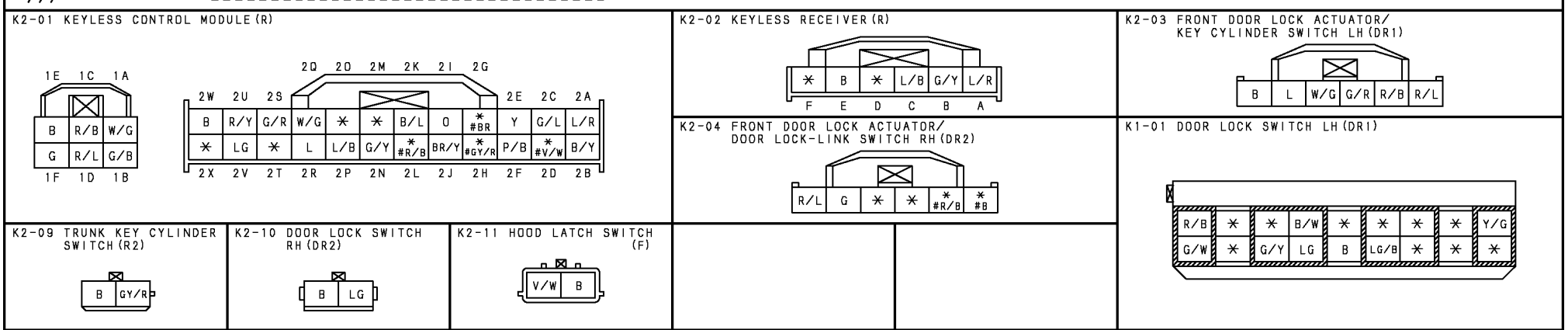
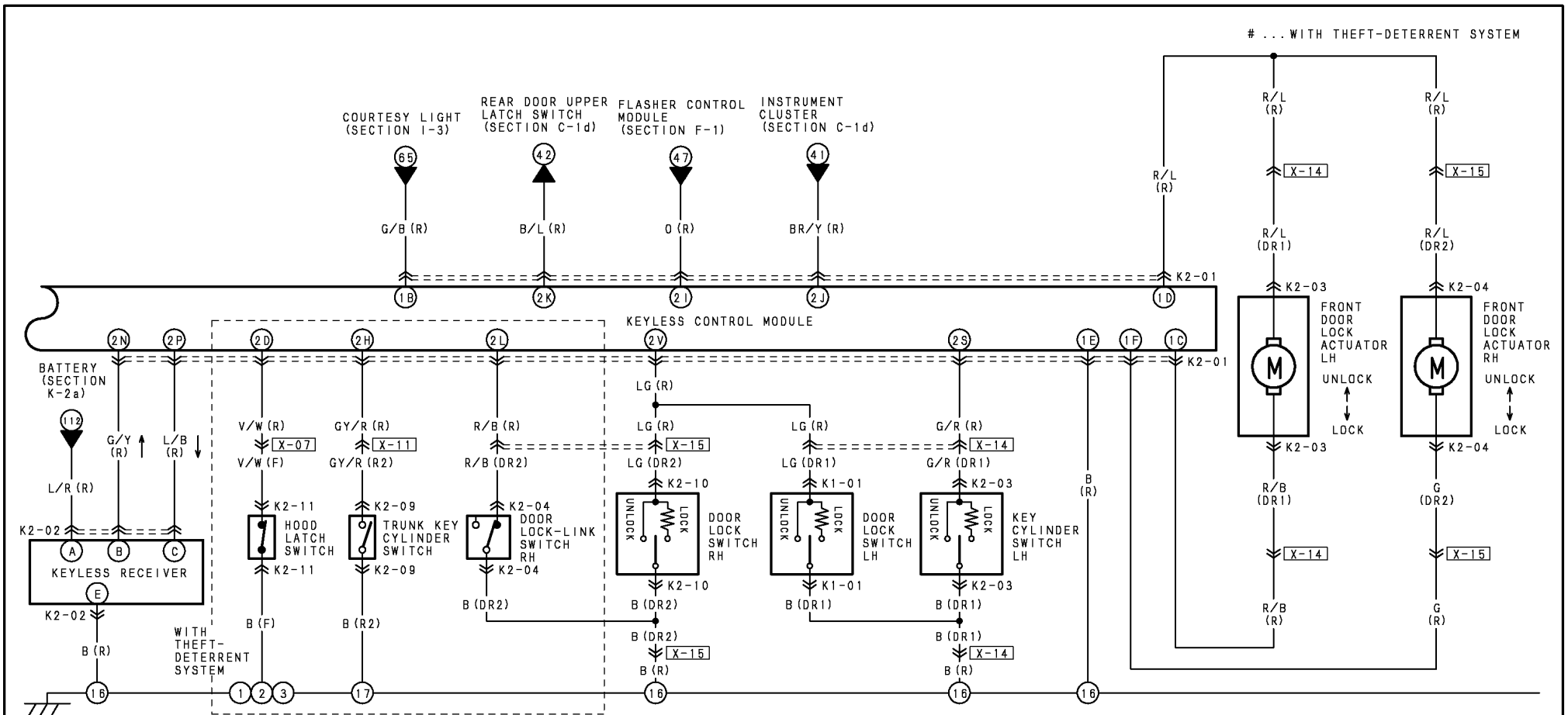


K2-12 FRONT BUCKLE SWITCH LH (SHORT CORD)

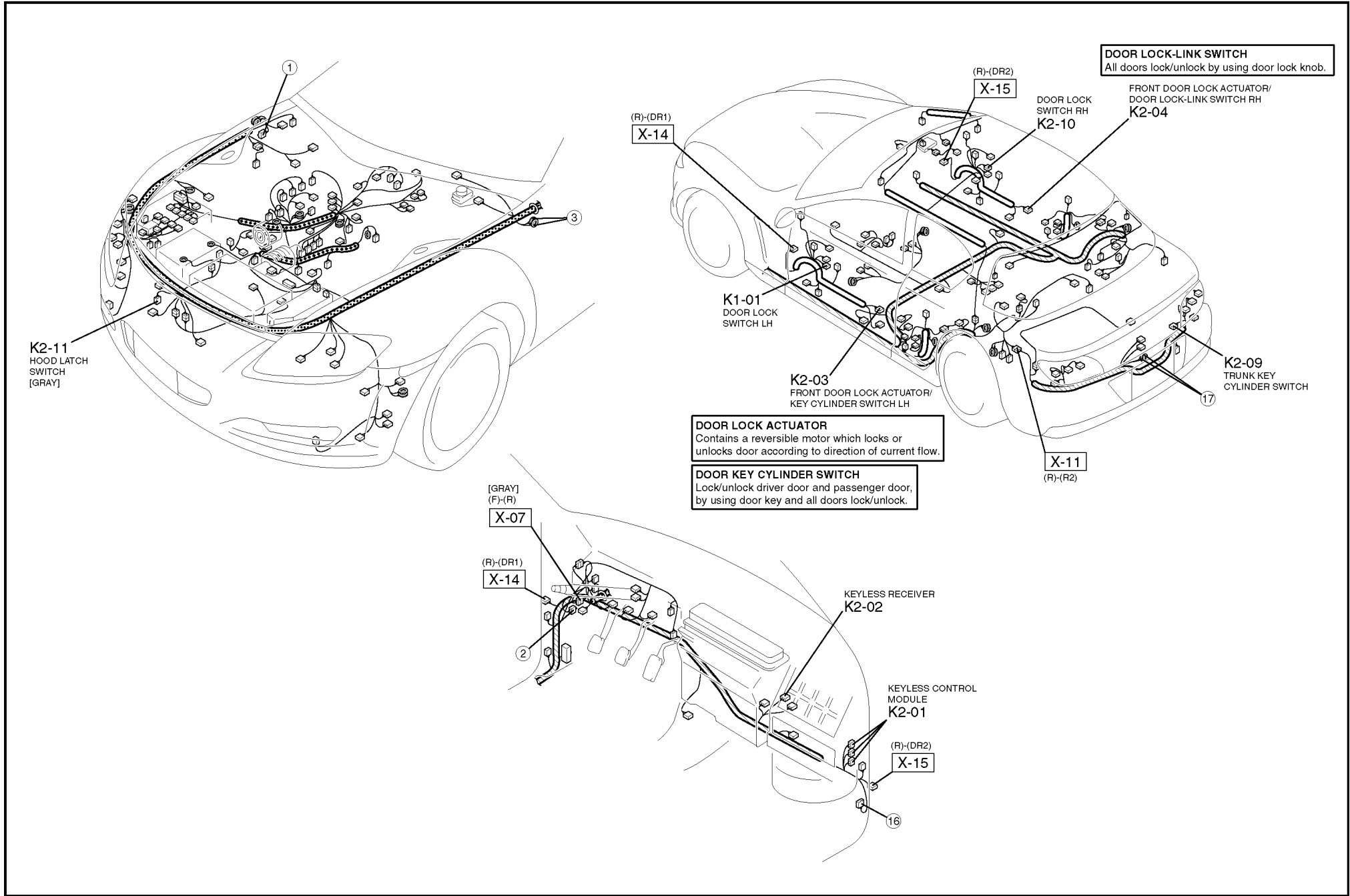


HARNESS SYMBOL:  (F)  (E)  (R)



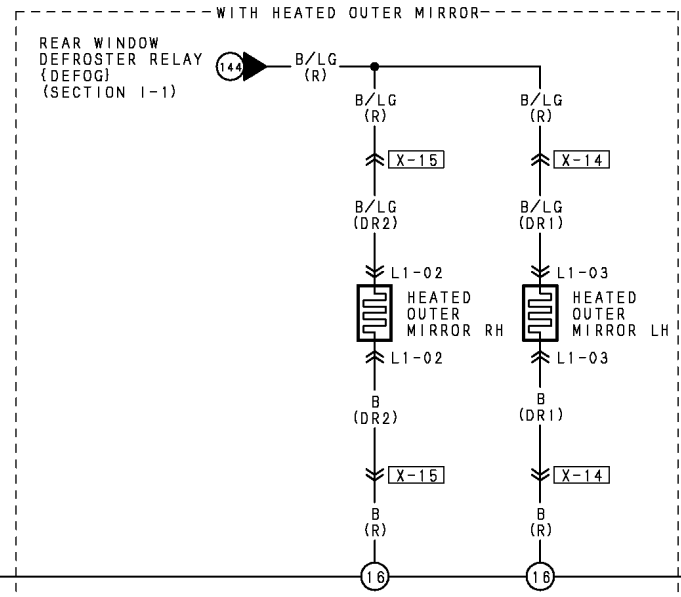
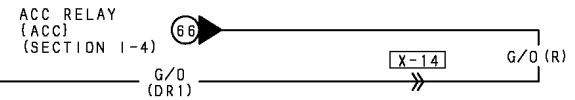
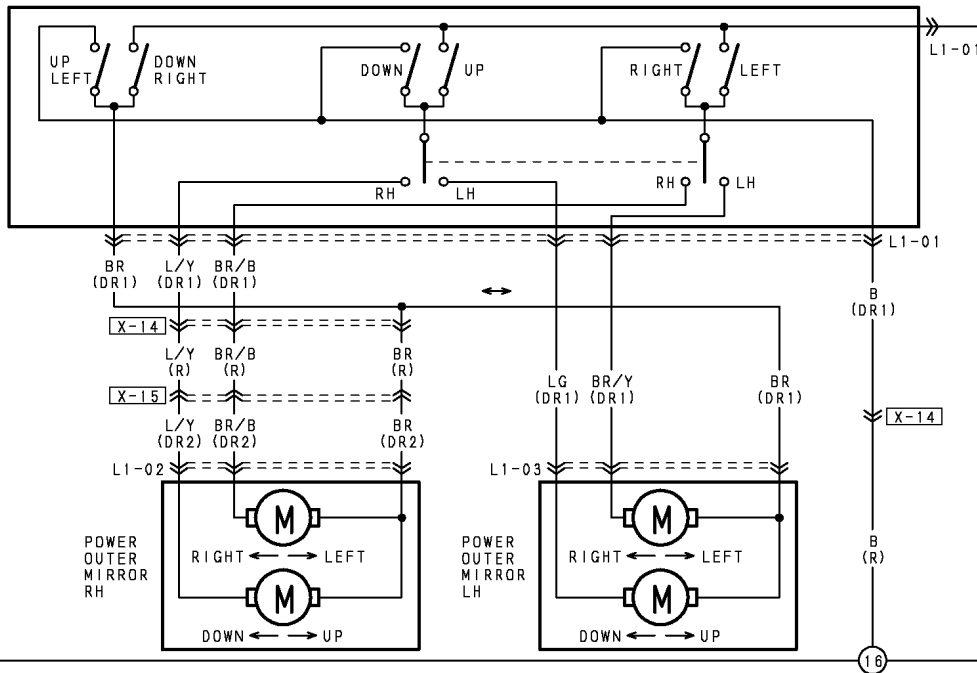


HARNESS SYMBOL:  (F)  (E)  (R)

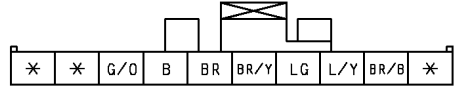


... WITH HEATED OUTER MIRROR

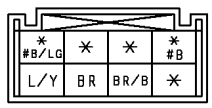
POWER OUTER MIRROR SWITCH



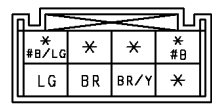
L1-01 POWER OUTER MIRROR SWITCH (DR1)



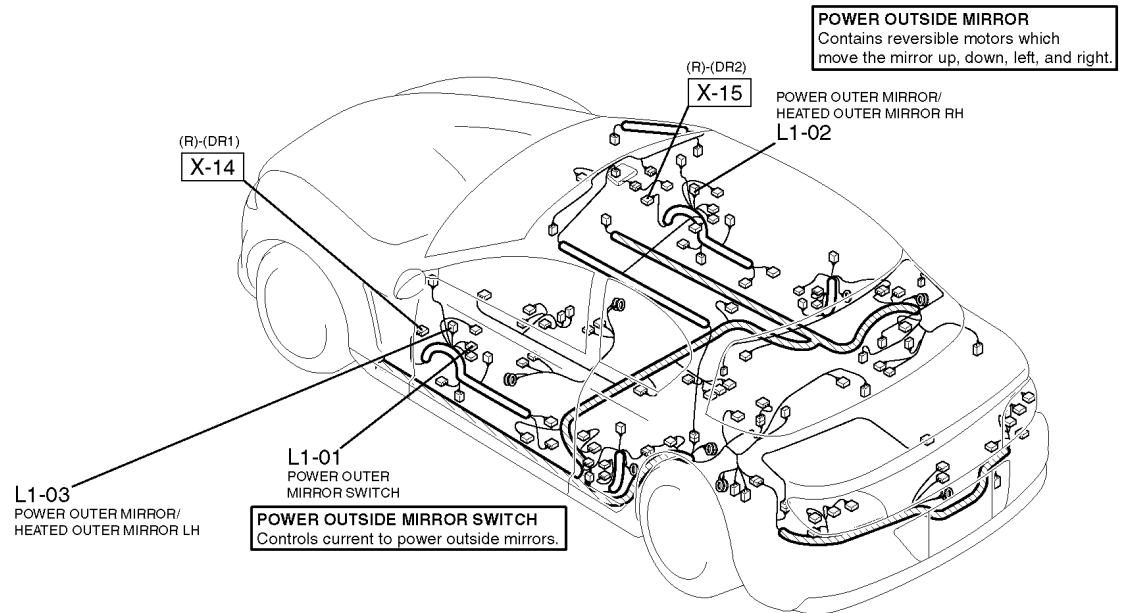
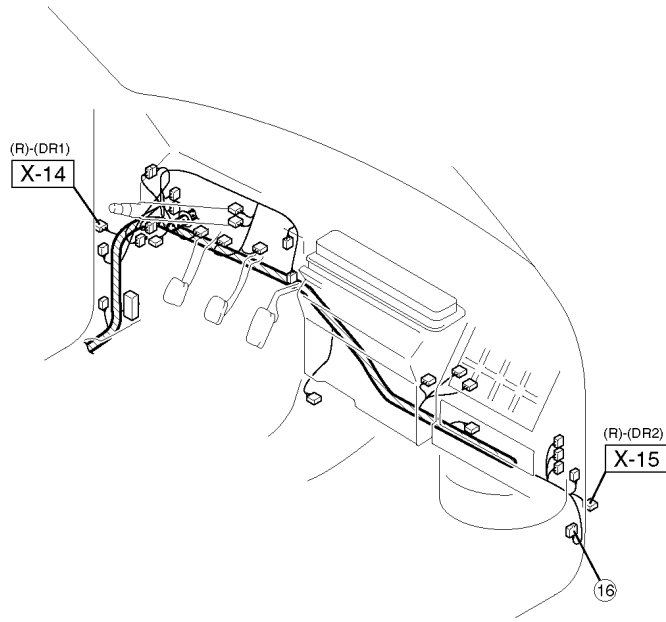
L1-02 POWER OUTER MIRROR/
HEATED OUTER MIRROR RH (DR2)

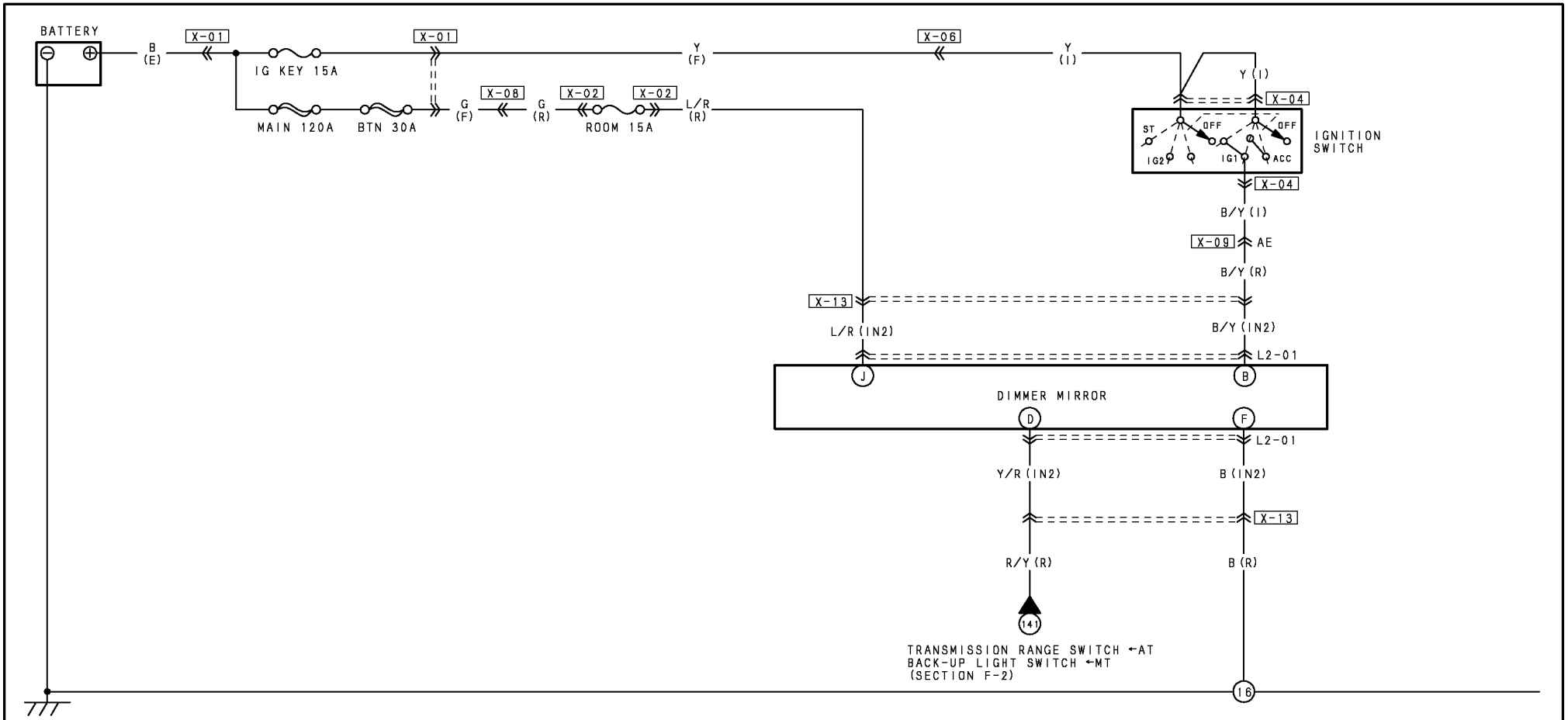


L1-03 POWER OUTER MIRROR/
HEATED OUTER MIRROR LH (DR1)

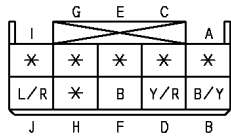


HARNES SYMBOL:  (F)  (E)  (R)

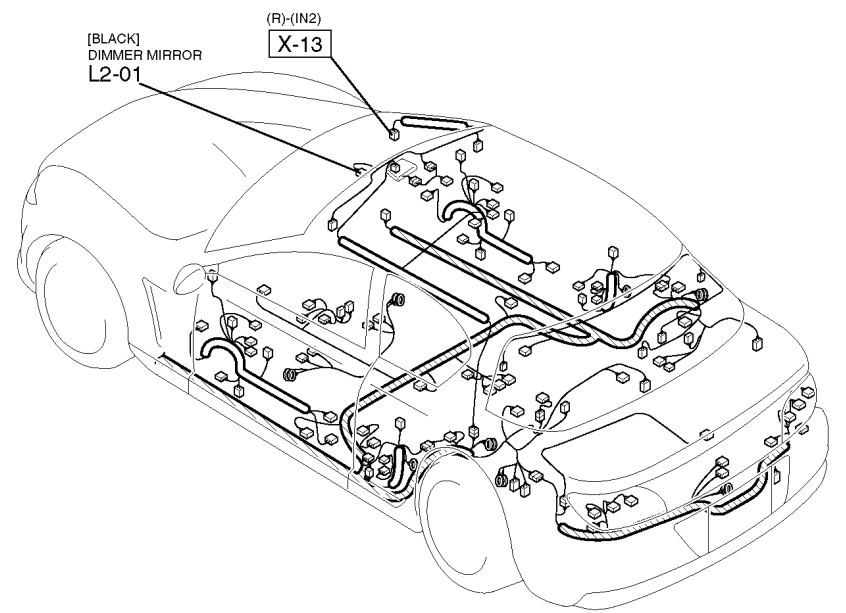
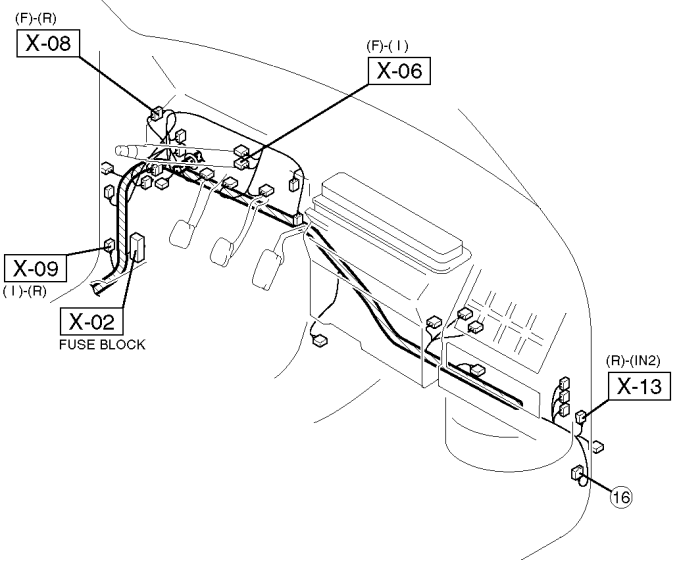
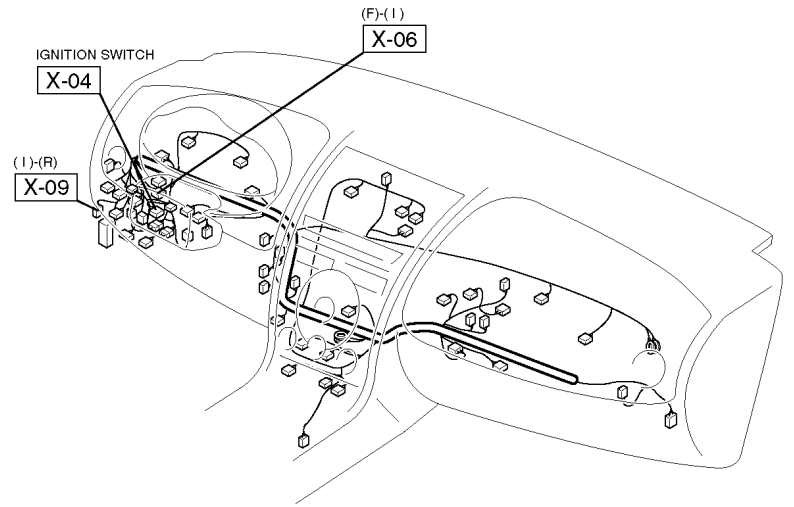
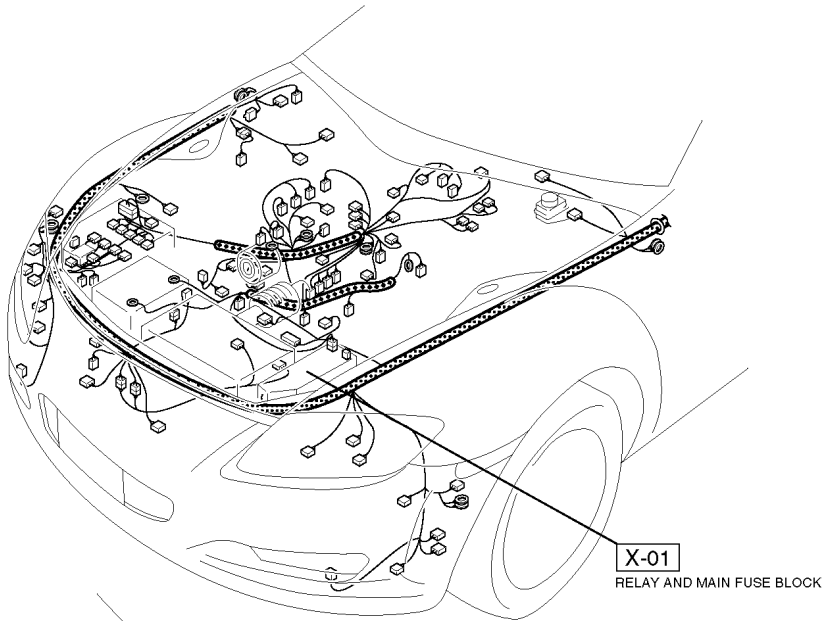


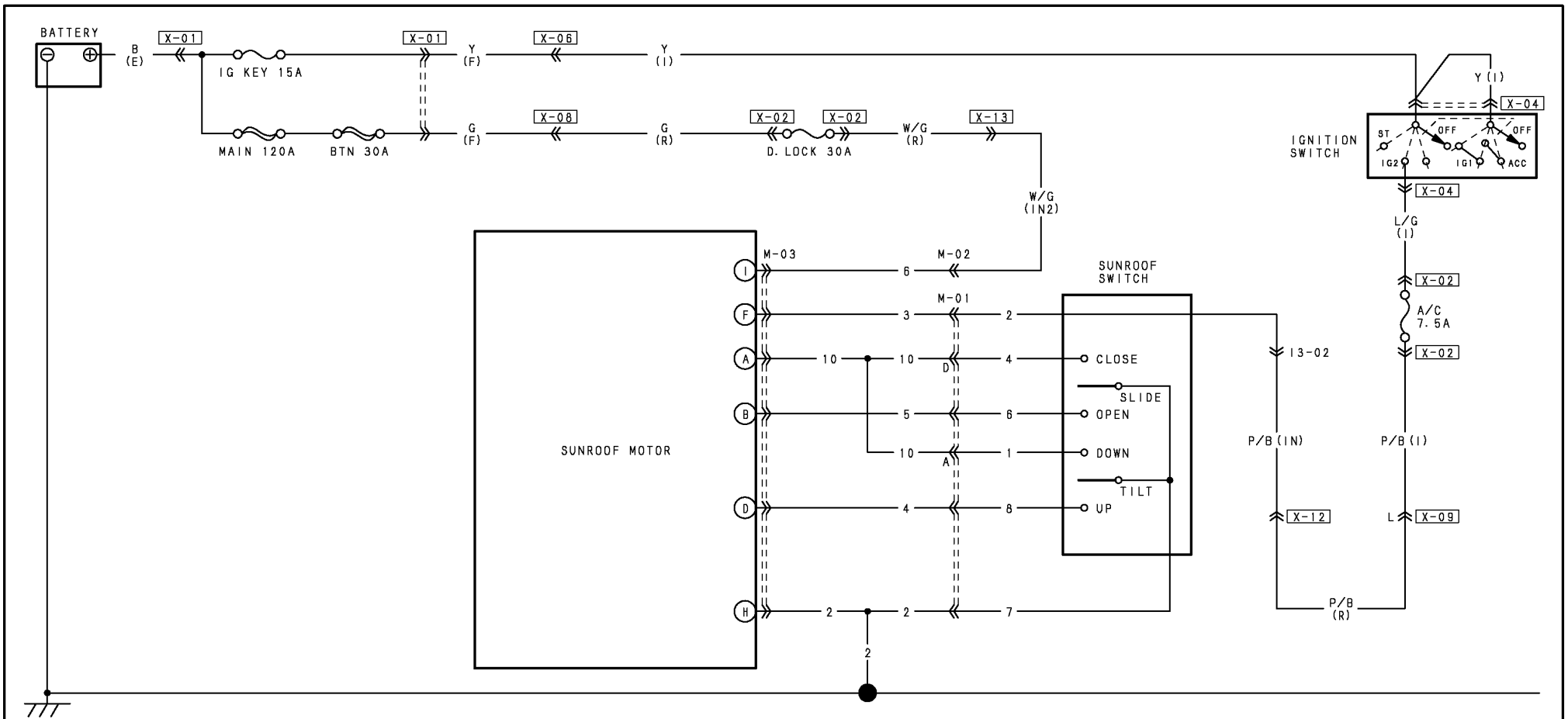


L2-01 DIMMER MIRROR (IN2)

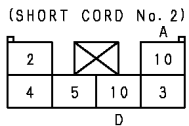
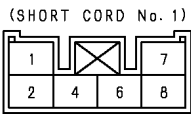


HARNESS SYMBOL:  (F)  (E)  (R)



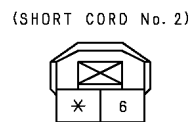
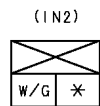


M-01 SHORT CORD No. 1-SHORT CORD No. 2



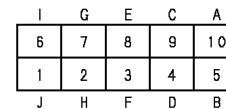
TERMINALS OF THIS CONNECTOR ARE INDICATED BY NUMBERS.

M-02 INTERIOR LIGHT No. 2 (IN2)-SHORT CORD No. 2



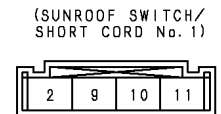
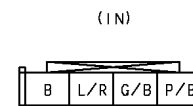
TERMINALS OF THIS CONNECTOR ARE INDICATED BY NUMBERS.

M-03 SUNROOF MOTOR (SHORT CORD No. 2)



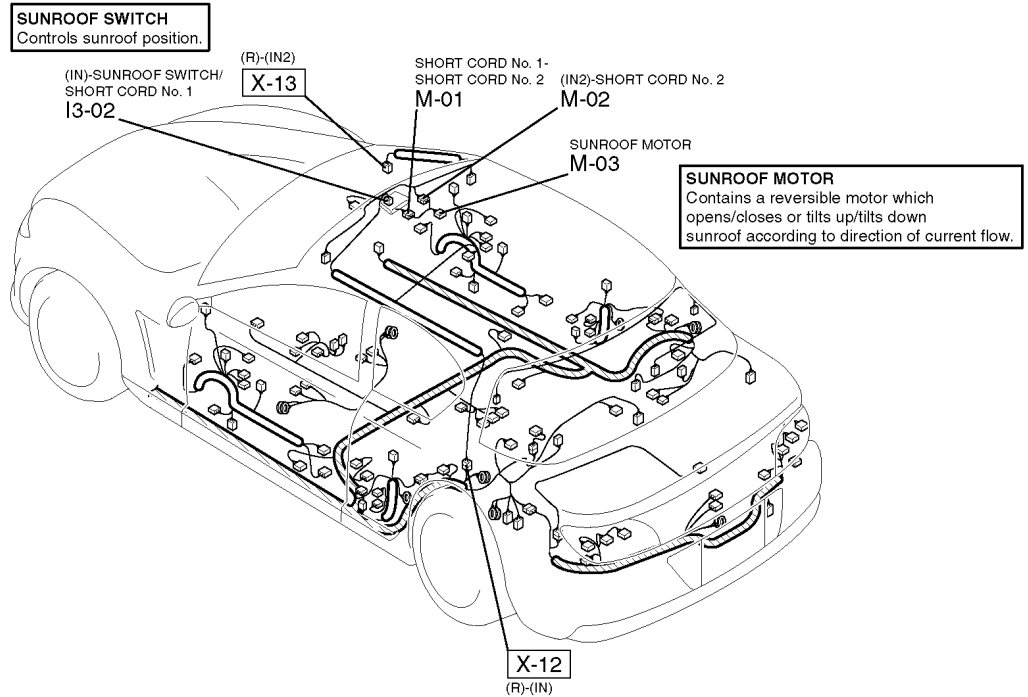
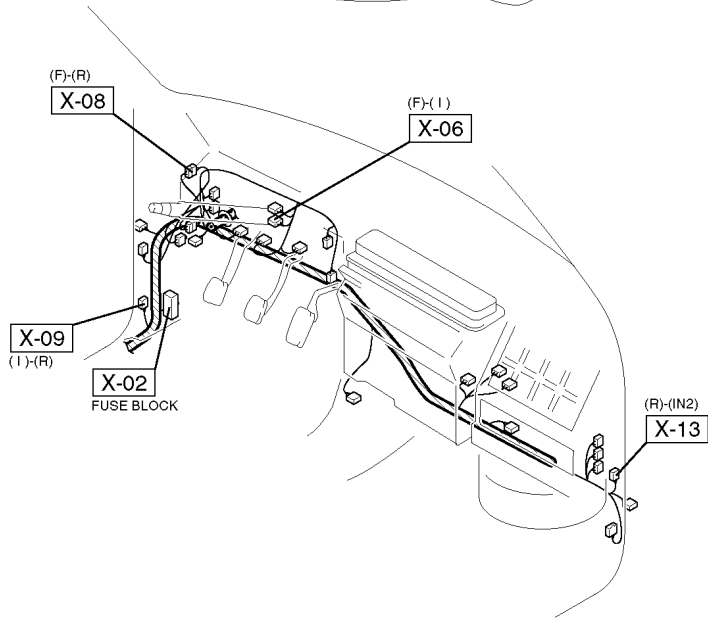
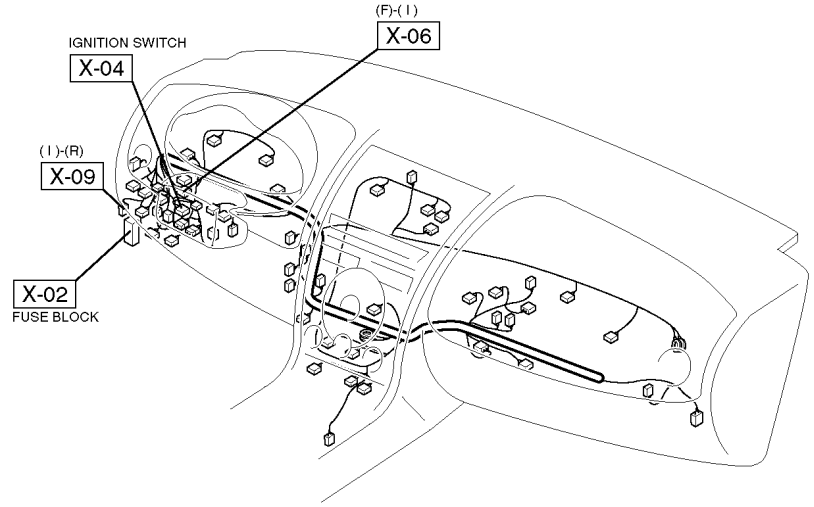
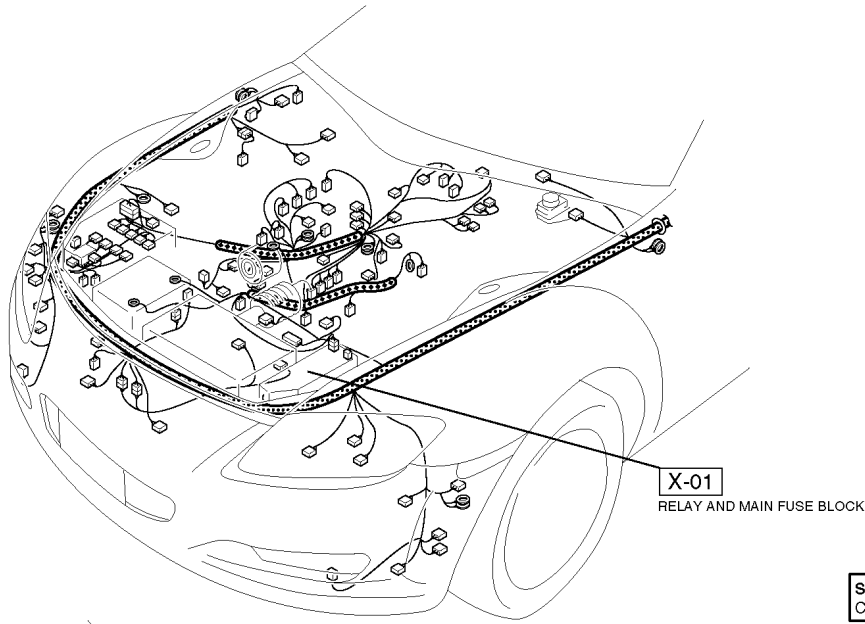
TERMINALS OF THIS CONNECTOR ARE INDICATED BY NUMBERS.

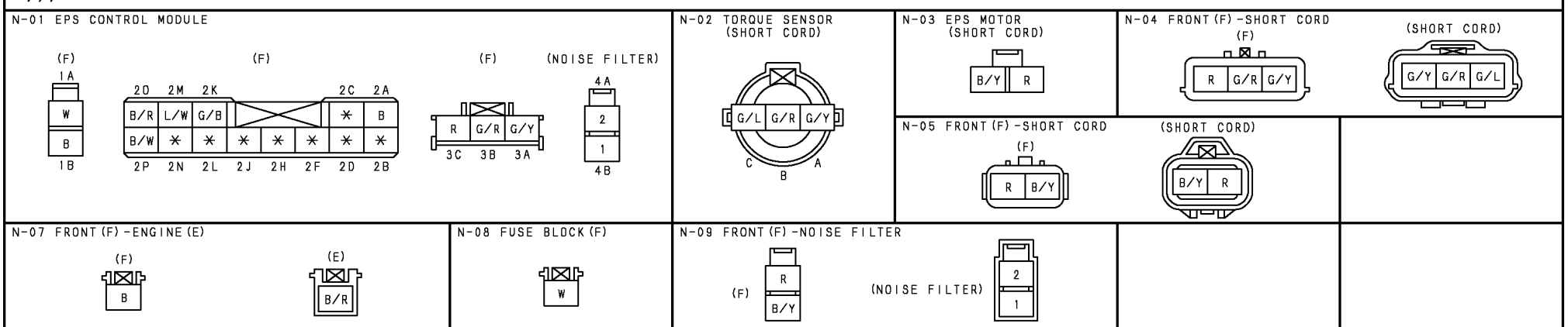
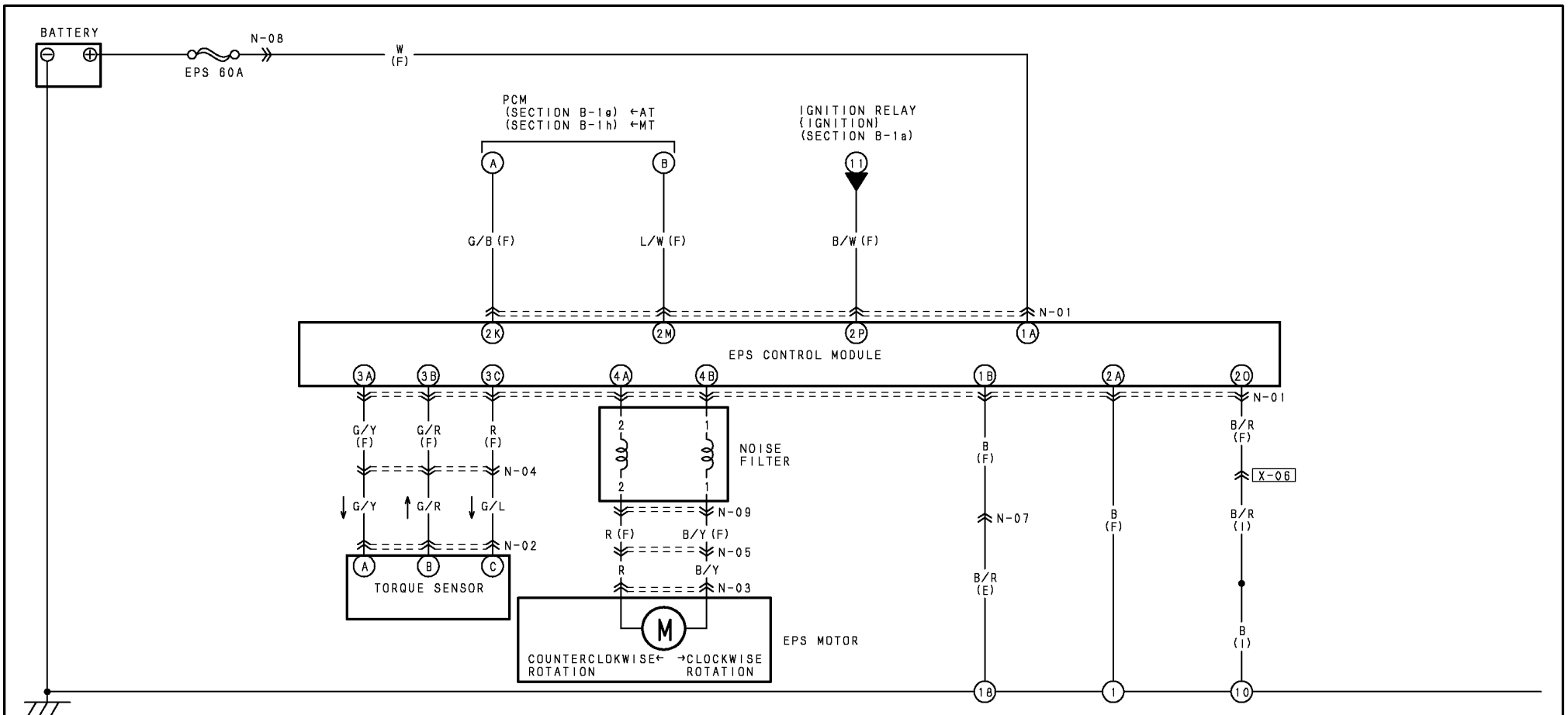
I3-02 INTERIOR LIGHT (IN)-SUNROOF SWITCH/SHORT CORD No. 1



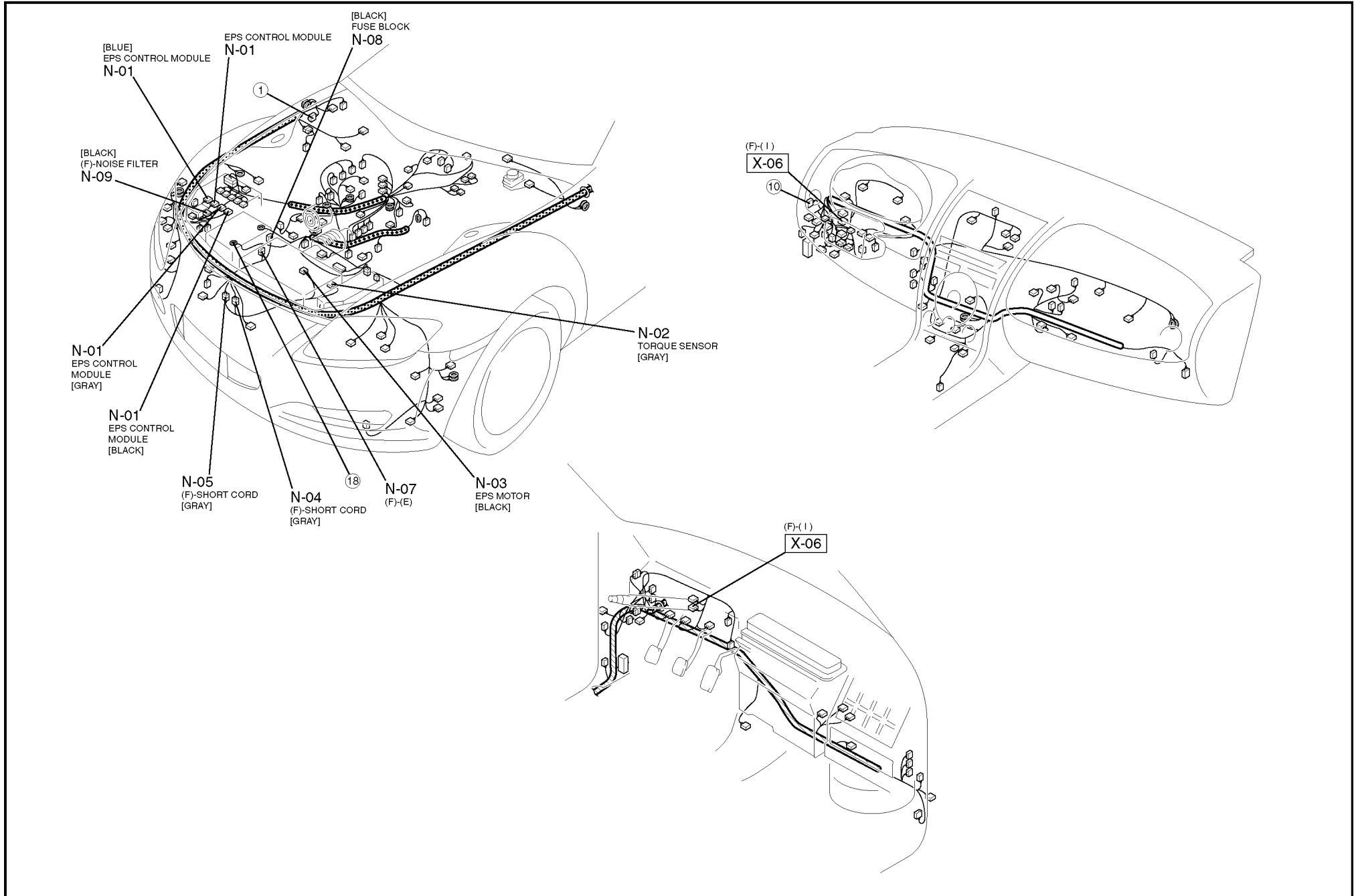
TERMINALS OF THIS CONNECTOR ARE INDICATED BY NUMBERS.

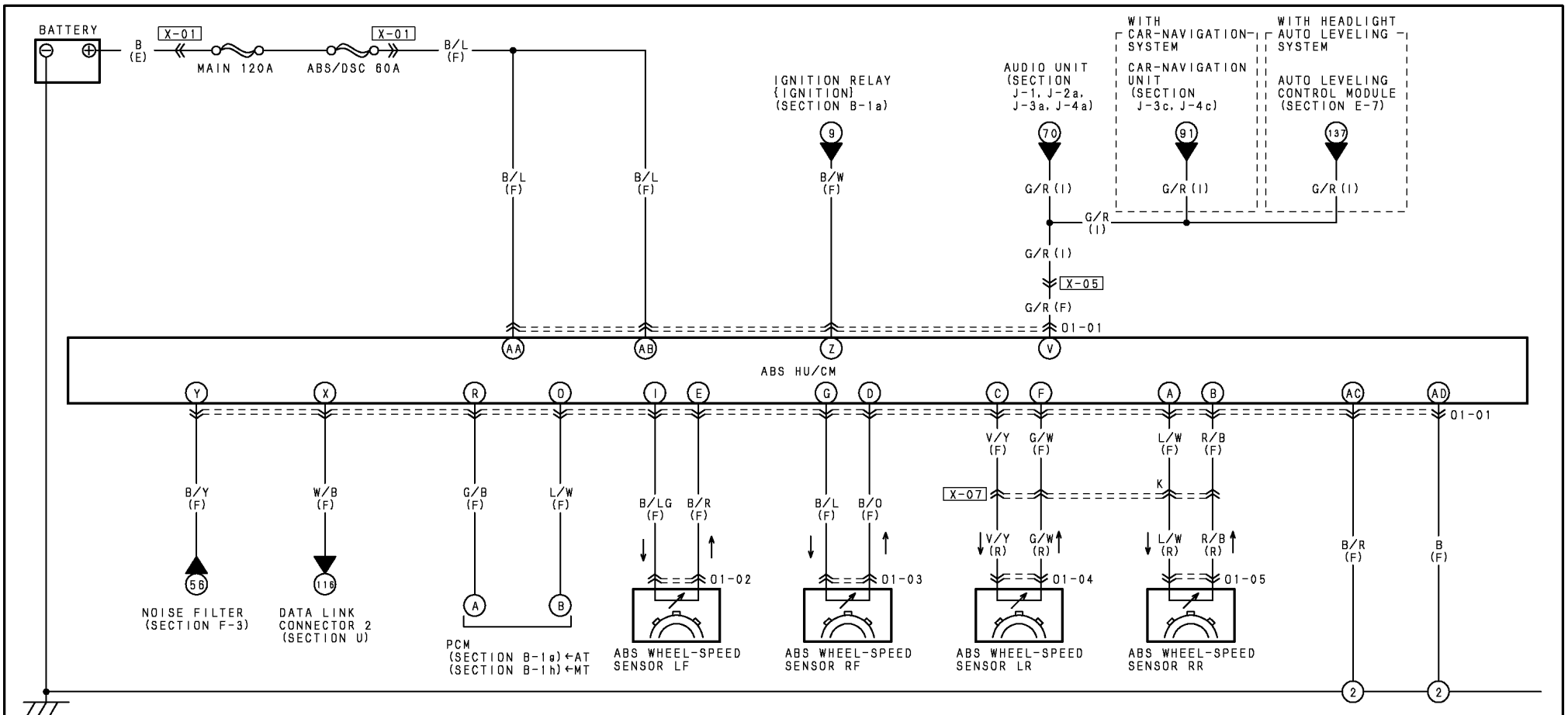
HARNESS SYMBOL:  (F)  (E)  (R)





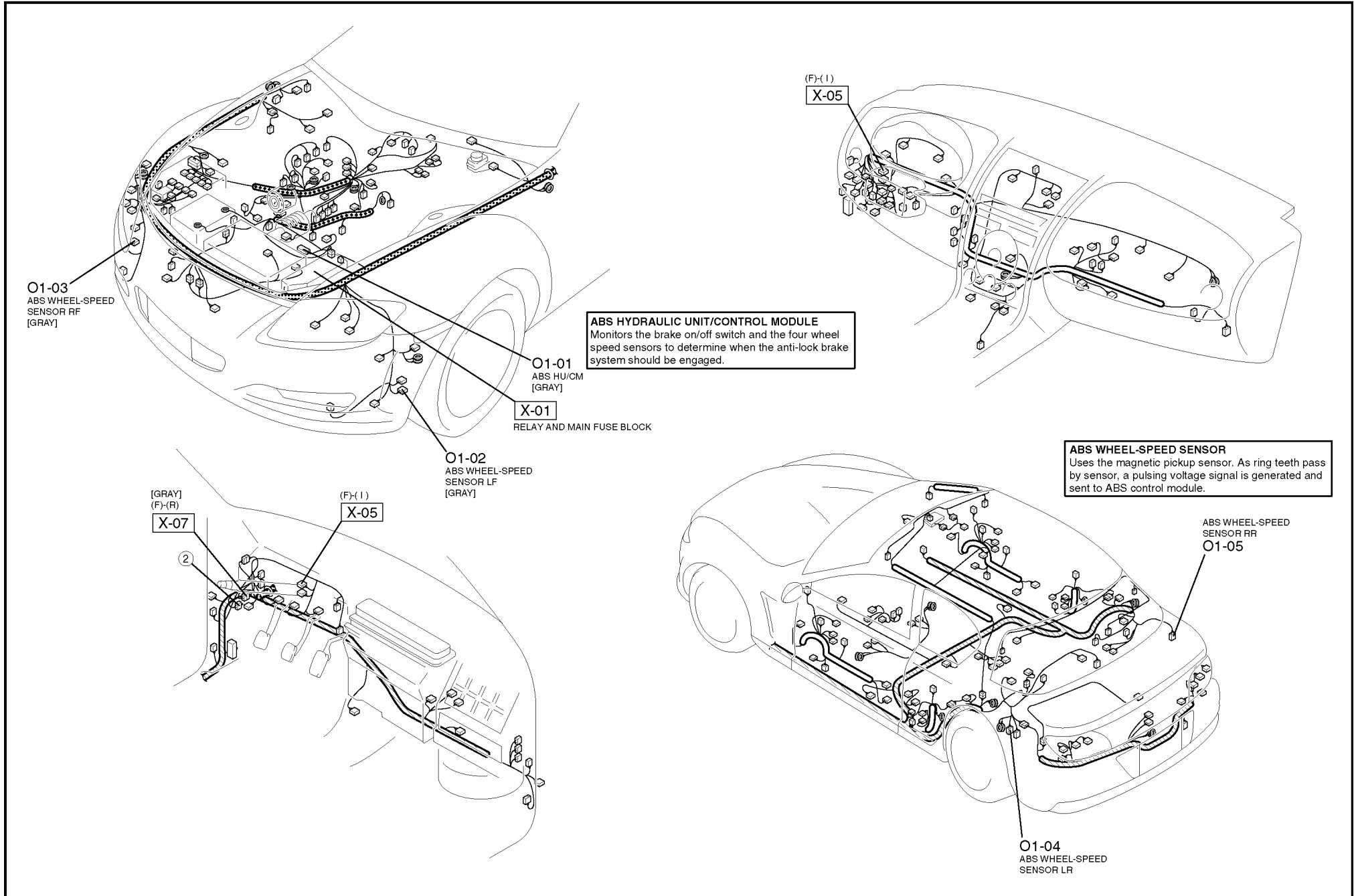
HARNESS SYMBOL:  (F)  (E)  (R)

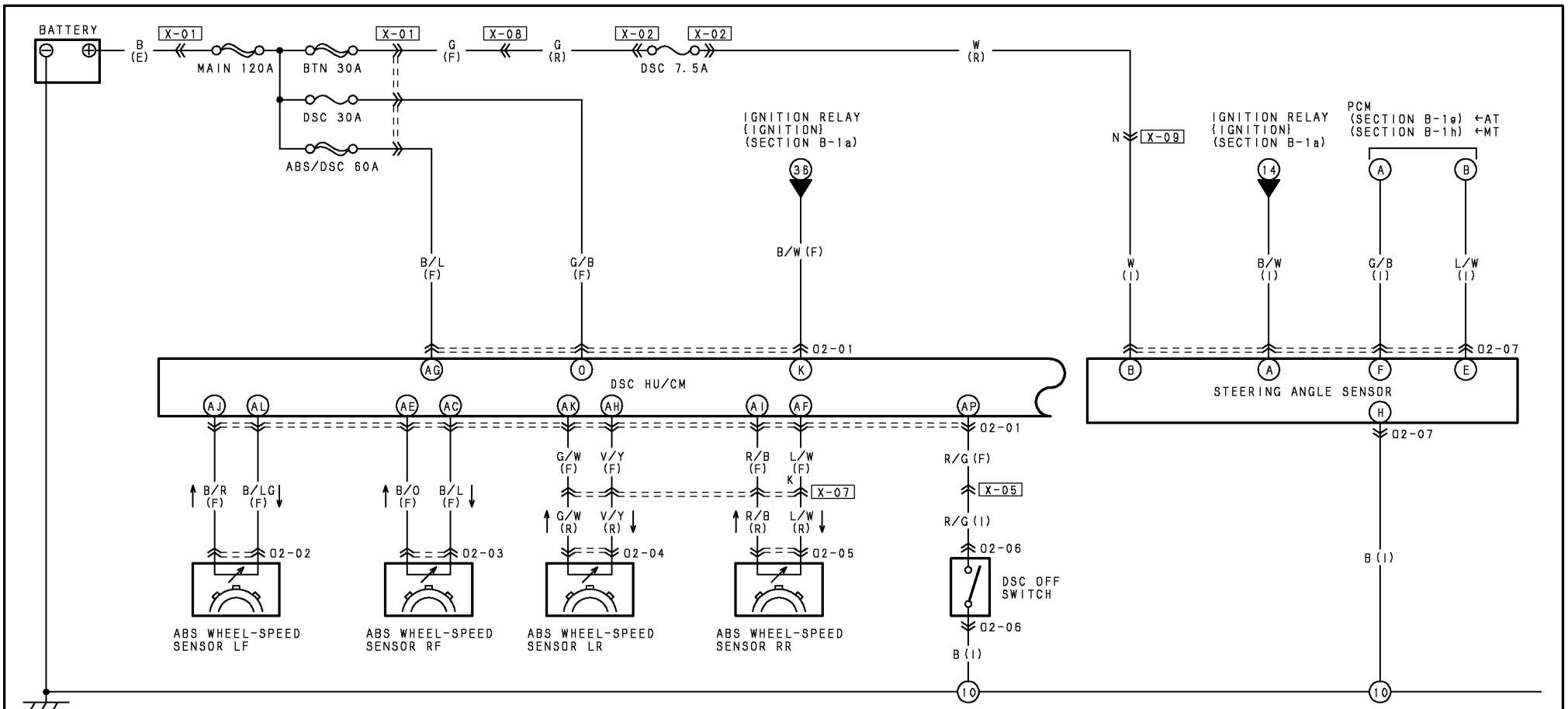




01-01 ABS HU/CM (F)	01-02 ABS WHEEL-SPEED SENSOR LF (F)	01-03 ABS WHEEL-SPEED SENSOR RF (F)	01-04 ABS WHEEL-SPEED SENSOR LR (R)	01-05 ABS WHEEL-SPEED SENSOR RR (R)

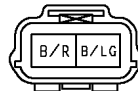
HARNESS SYMBOL:  (F)  (E)  (R)



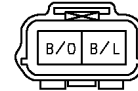


02-01 DSC HU/CM (F)

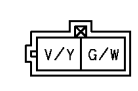
02-02 ABS WHEEL-SPEED SENSOR LF (F)



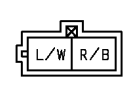
02-03 ABS WHEEL-SPEED SENSOR RF (F)



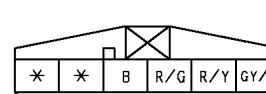
02-04 ABS WHEEL-SPEED SENSOR LR (R)



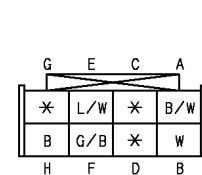
02-05 ABS WHEEL-SPEED SENSOR RR (R)



02-06 DSC OFF SWITCH (I)

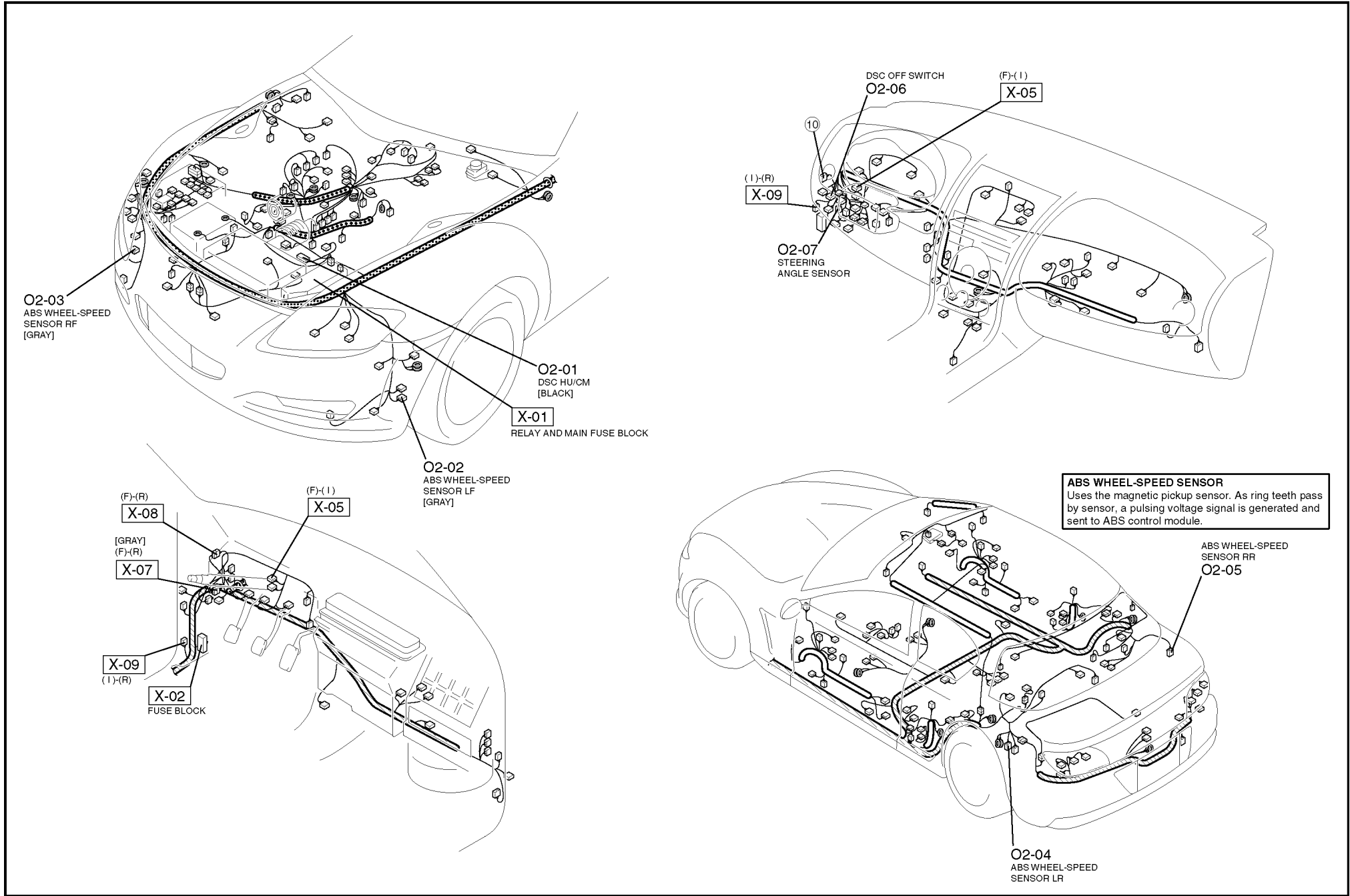


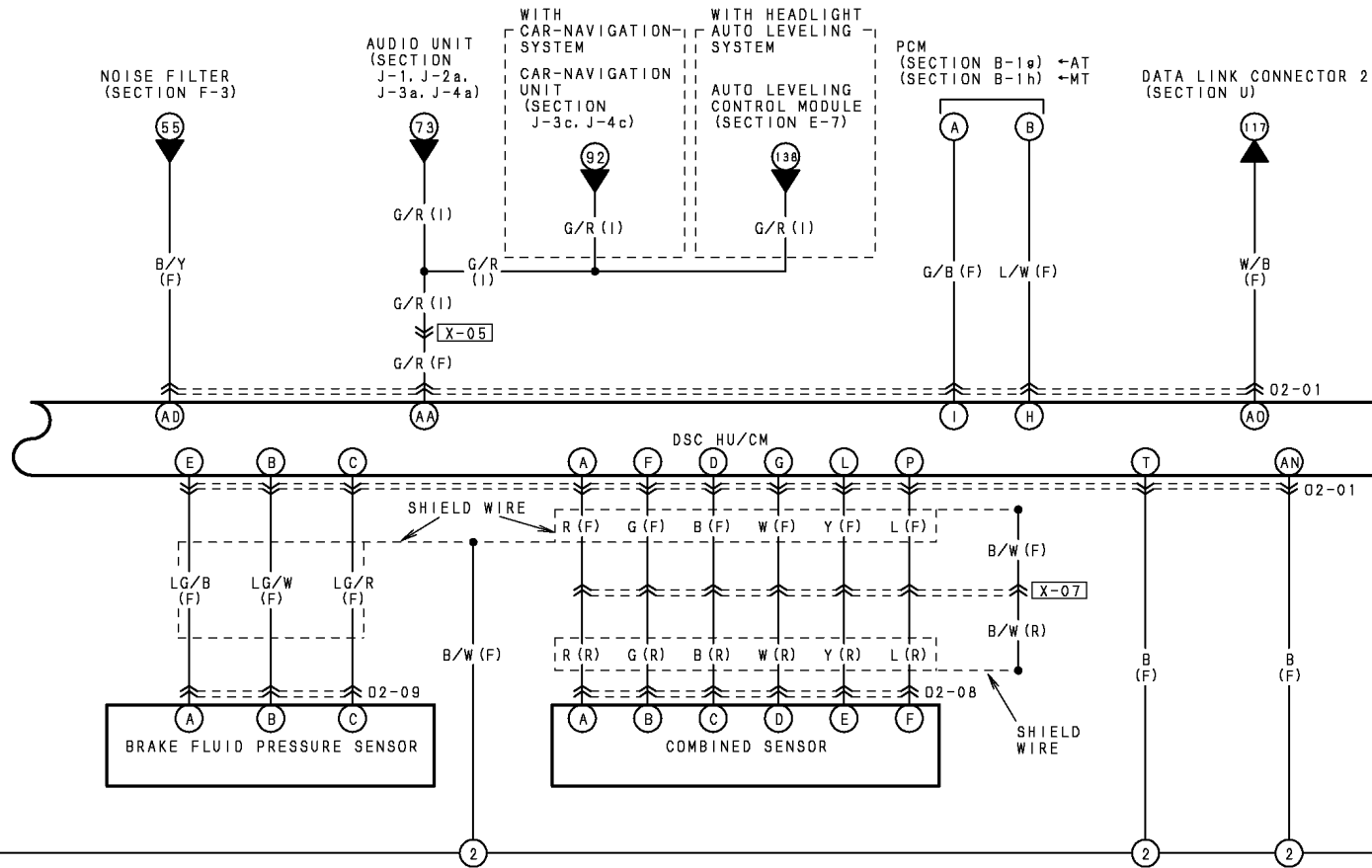
02-07 STEERING ANGLE SENSOR (I)



AN		AC		AB		W		T		D		J		G		D		A	
B		B/L		B/L		*		*		G/B		*		W		B		R	
AO	AL	AJ	AH	AE	AC	Z	X	U	R	P	M	K	G	D	A				
W/B	B/LG	B/R	V/Y	B/O	B/L	*	*	*	*	L	*	B/W	H/L	W/LG	B/LG				
AP	AM	AK	AI	AF	AD	AA	Y	V	S	Q	N	L	I	F	C				
R/G	*	G/W	R/B	L/W	B/Y	G/R	*	*	*	*	*	Y	G/B	F	LG/R				

HARNESS SYMBOL:  (F)  (E)  (R)



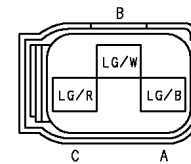
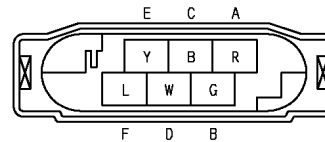


02-01 DSC HU/CM (F)

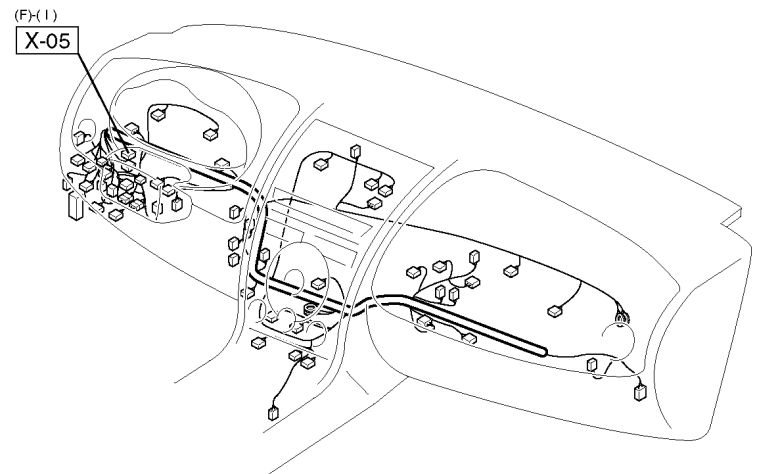
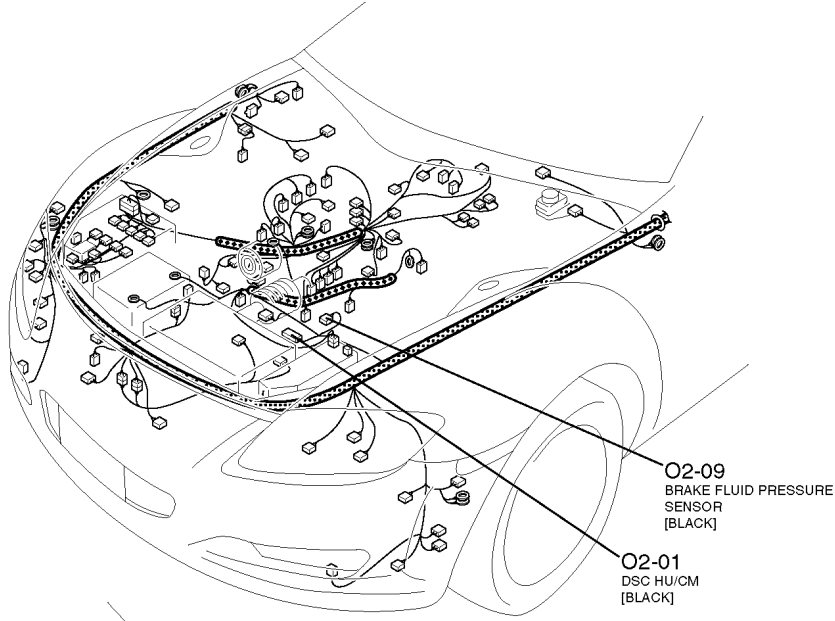
02-08 COMBINED SENSOR (R)

02-09 BRAKE FLUID PRESSURE SENSOR (F)

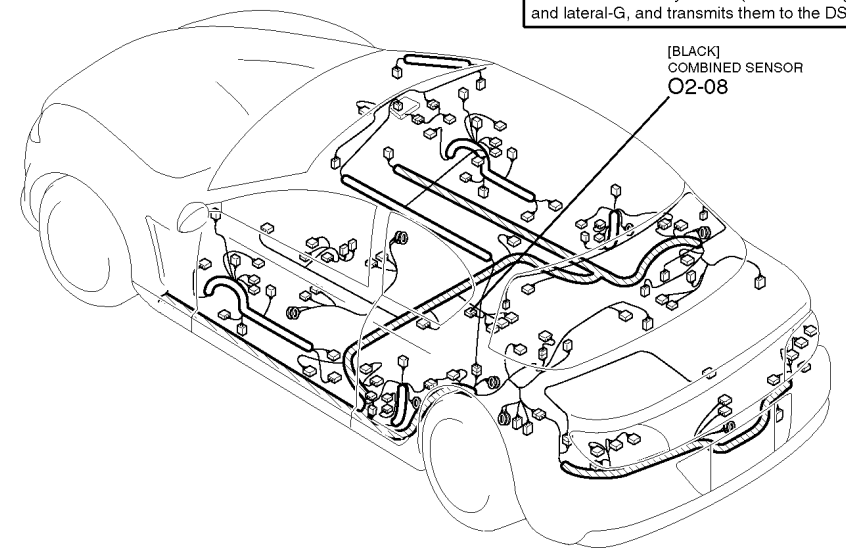
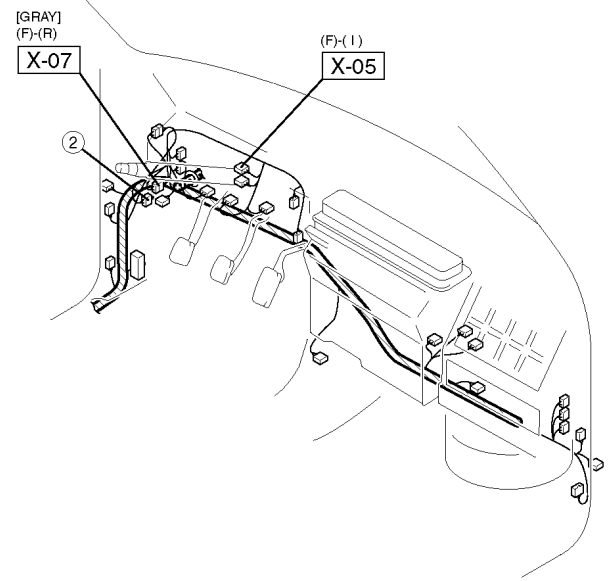
AN		AC		AB		W		T		D		J		G		D		A	
B		B/L		*		*		B		G/B		*		W		B		R	
AO	AL	AJ	AH	AE	AC	Z	X	U	R	P	M	K	G	D	A				
W/B	B/LG	B/R	V/Y	B/D	B/L	*	*	*	*	L	*	B/W	H/L	E	B				
AP	AM	AK	AI	AF	AD	AA	Y	V	S	Q	N	L	I	F	C				
R/G	*	G/W	R/B	L/W	B/Y	G/R	*	*	*	*	*	Y	G/B	G	LG/R				

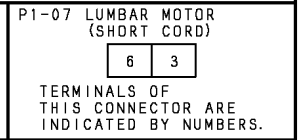
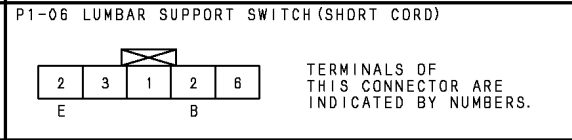
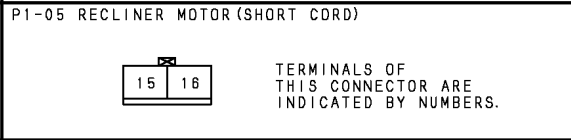
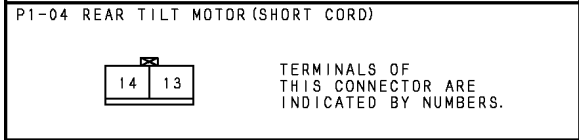
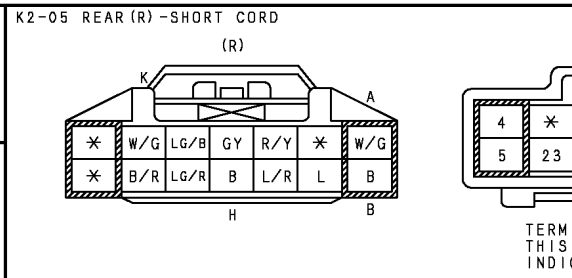
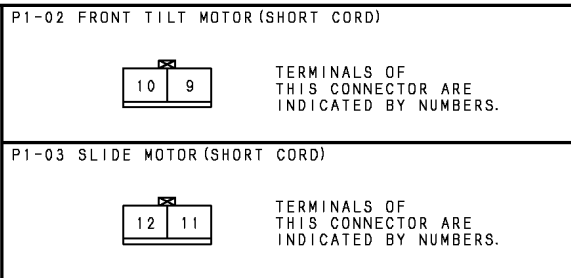
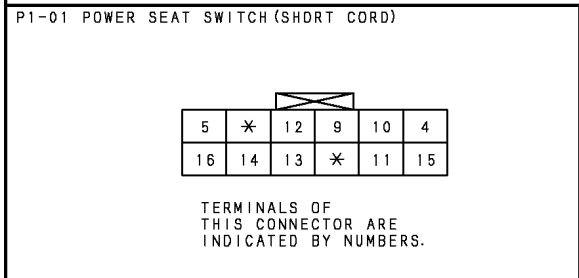
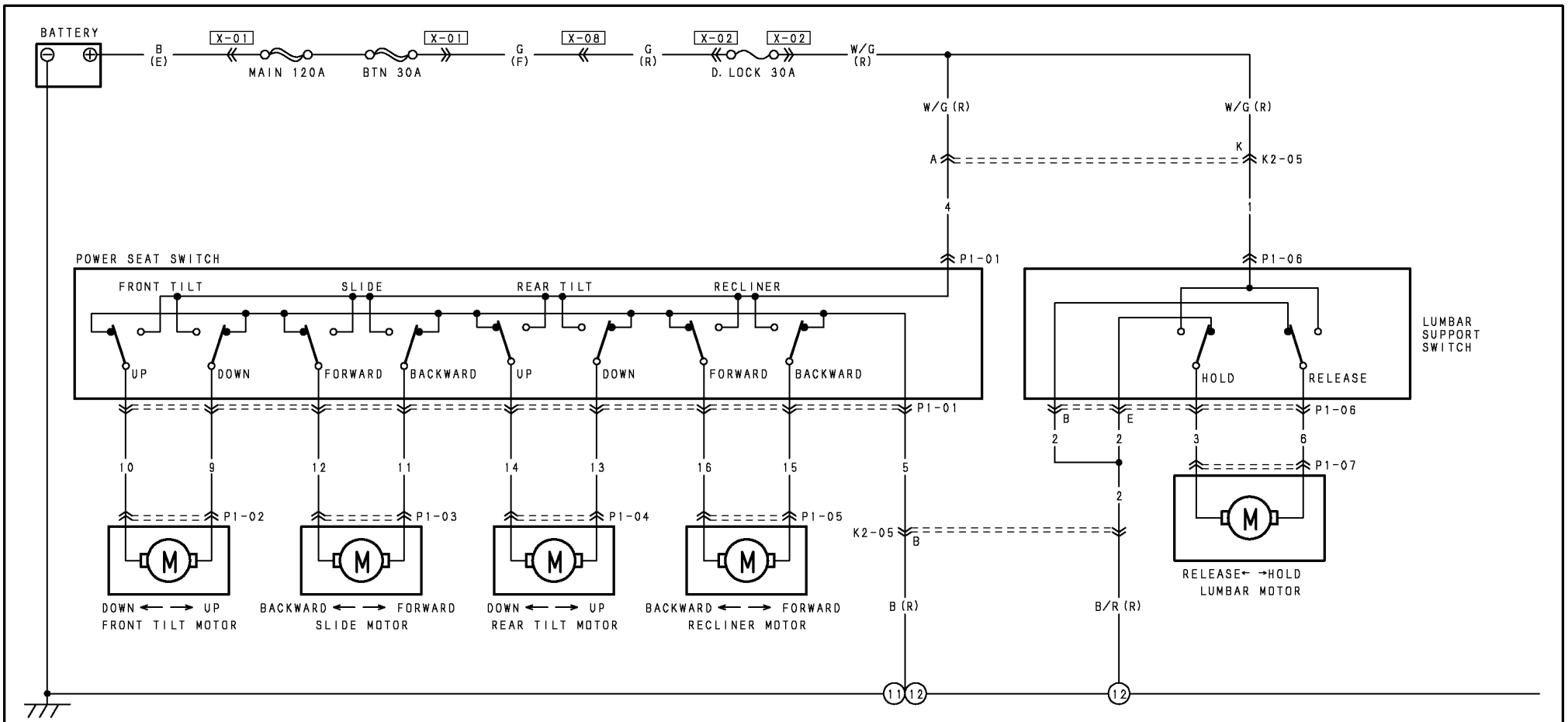


HARNESS SYMBOL:  (F)  (E)  (R)

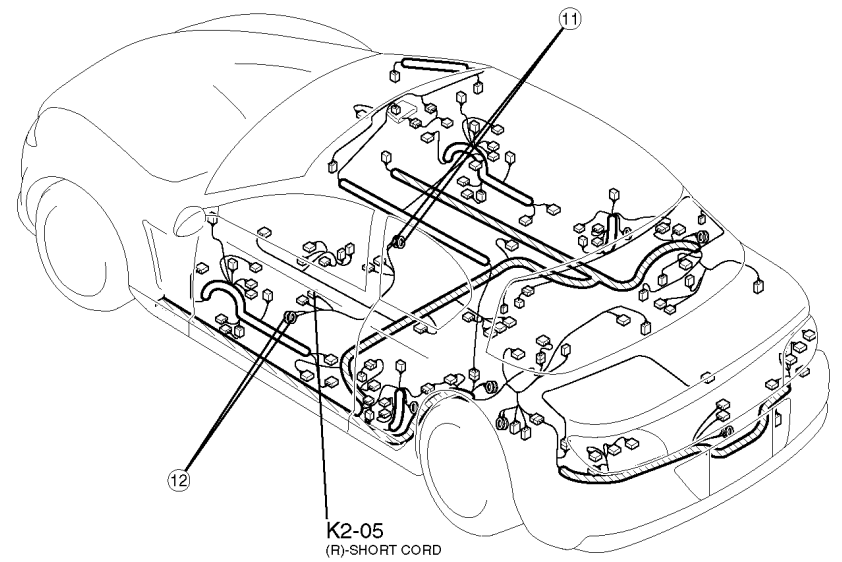
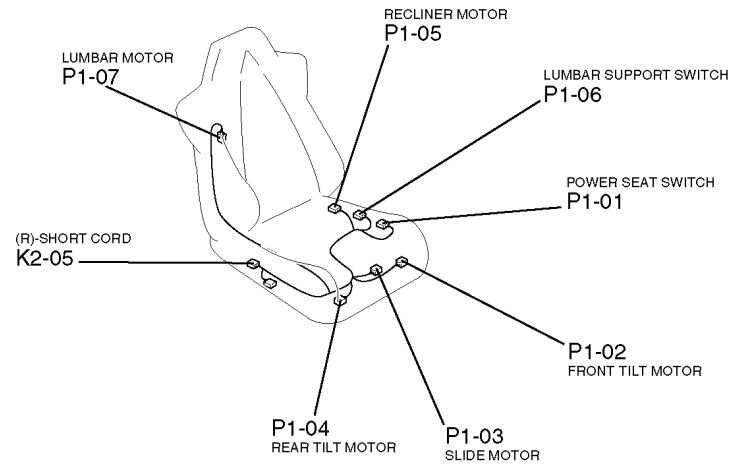
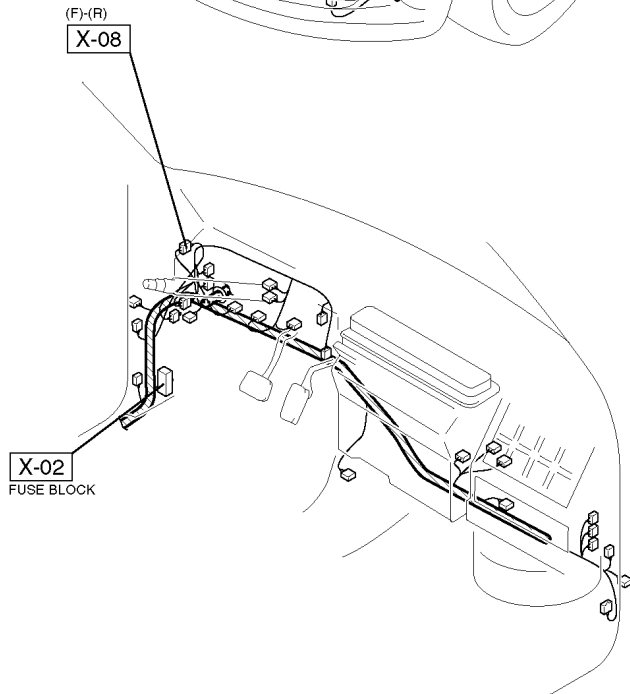
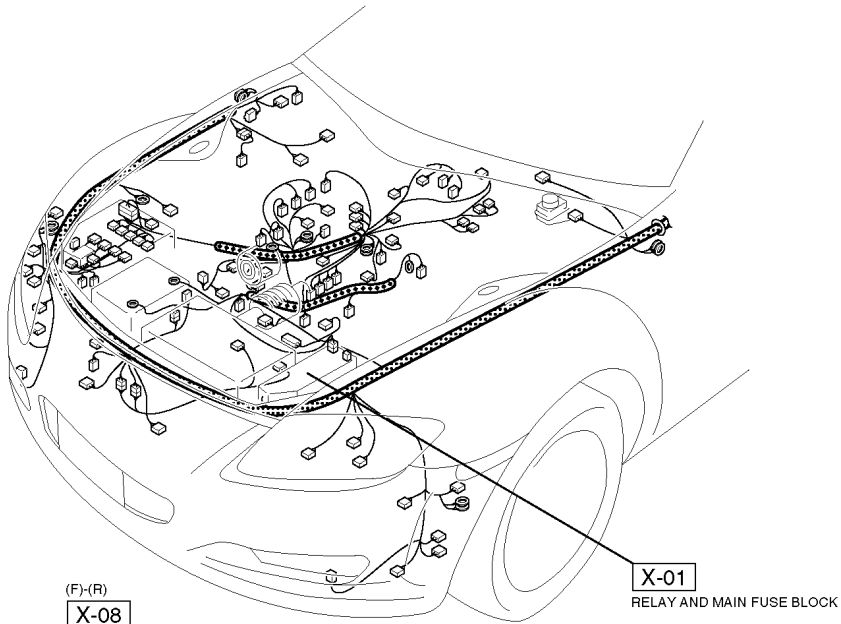


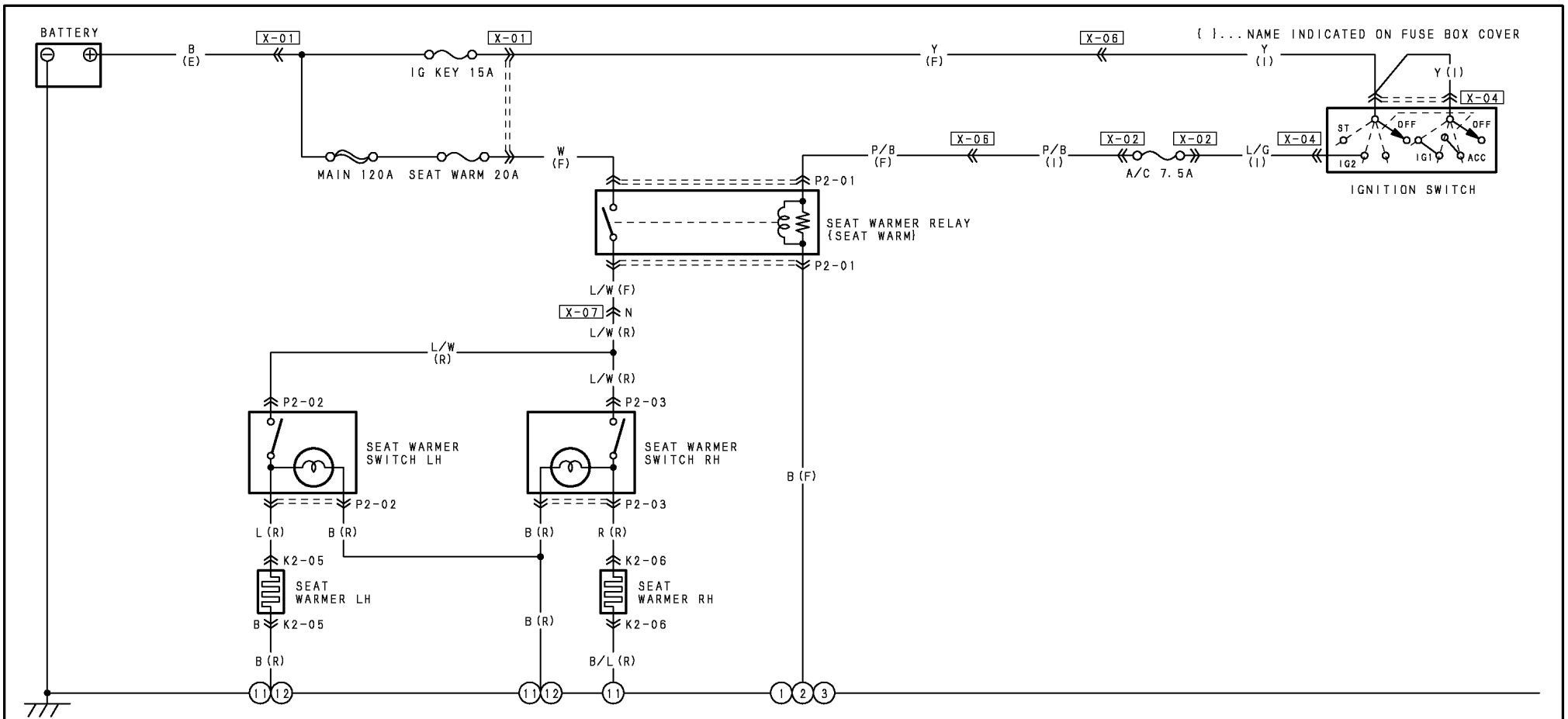
COMBINED SENSOR
Detects the vehicle yaw rate (vehicle turning angular speed) and lateral-G, and transmits them to the DSC HU/CM.

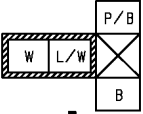
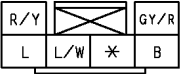
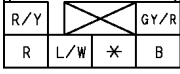
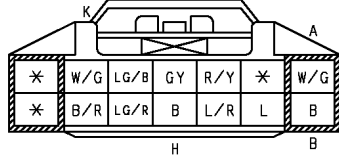
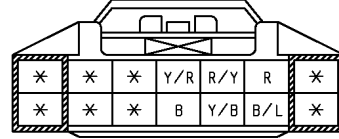




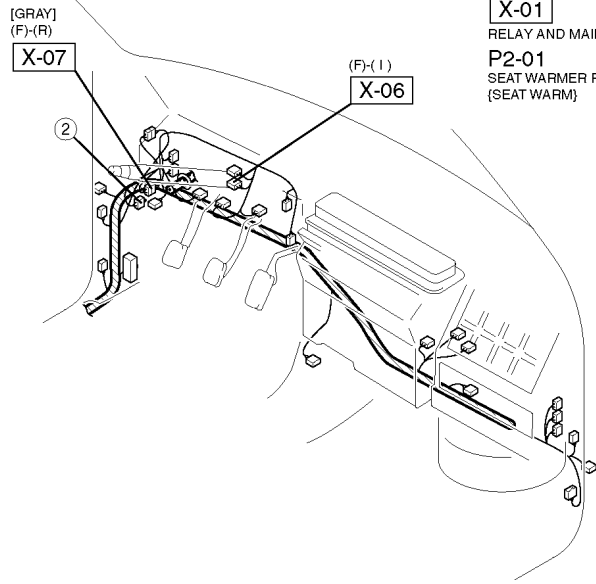
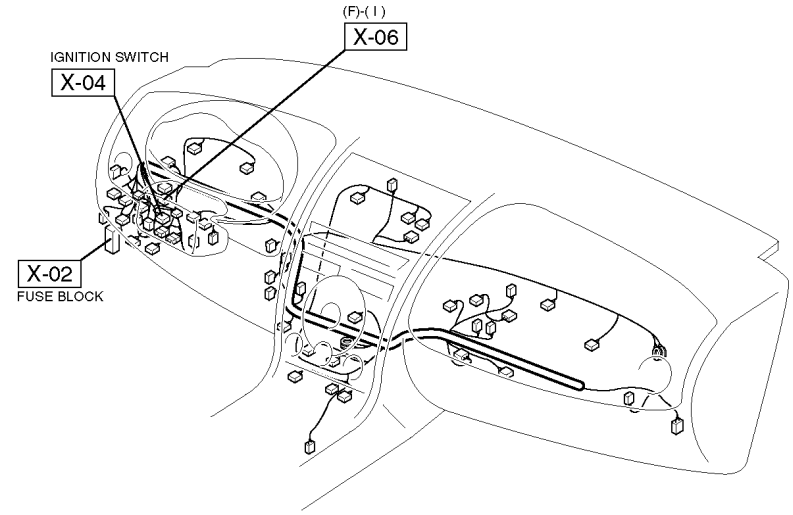
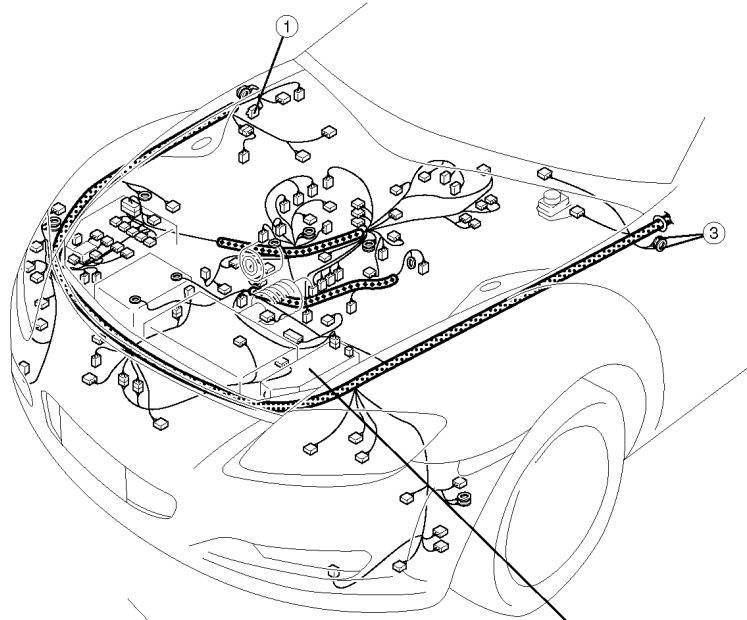
HARNESS SYMBOL:  (F)  (E)  (R)



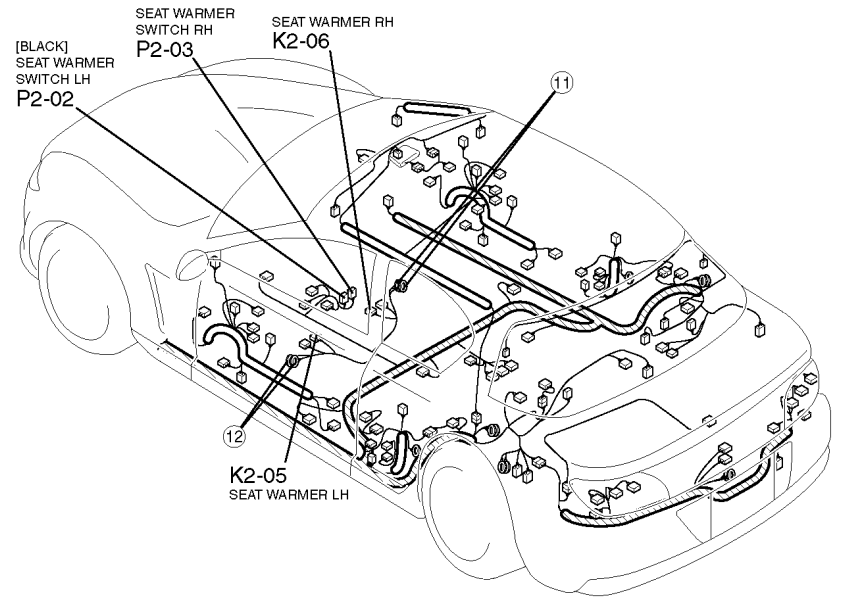


P2-01 SEAT WARMER RELAY (SEAT WARM) (F)	P2-02 SEAT WARMER SWITCH LH (R)	P2-03 SEAT WARMER SWITCH RH (R)	K2-05 SEAT WARMER LH (R)	K2-06 SEAT WARMER RH (R)
 <p>FRONT NOTE: THIS IS THE CONNECTOR AS SEEN FROM THE TERMINAL SIDE.</p>				

HARNESS SYMBOL:  (F)  (E)  (R)



X-01
RELAY AND MAIN FUSE BLOCK
P2-01
SEAT WARMER RELAY
(SEAT WARM)

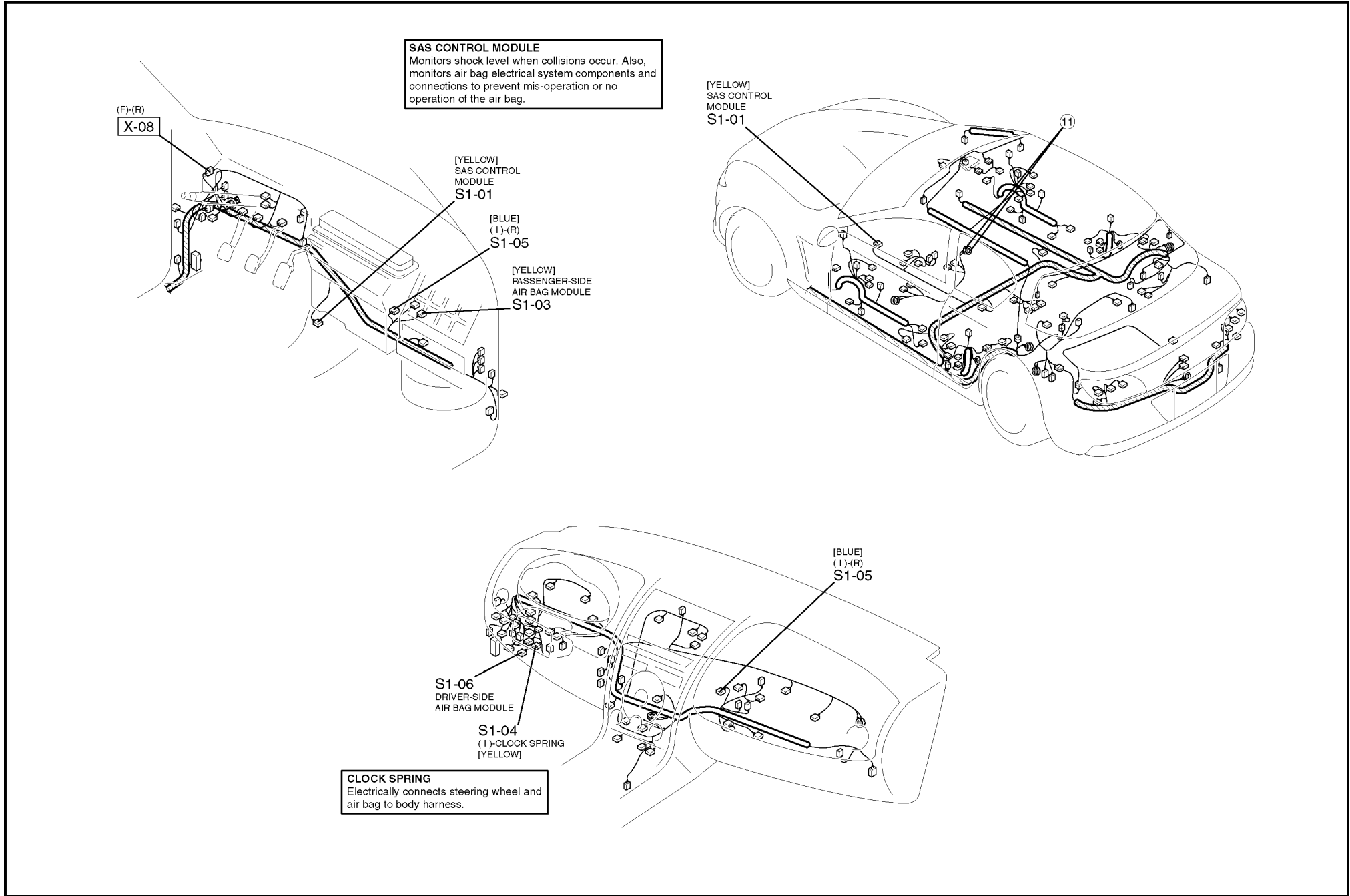


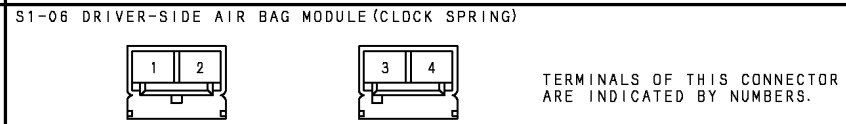
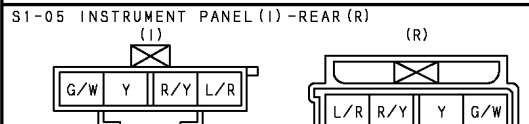
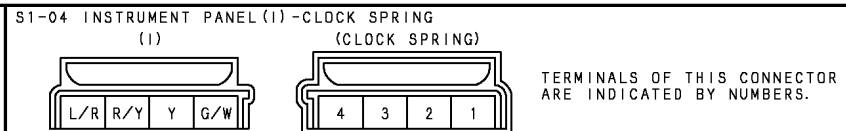
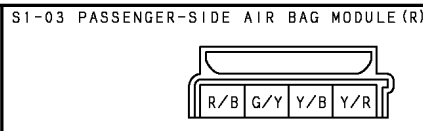
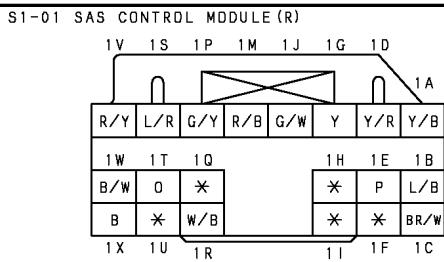
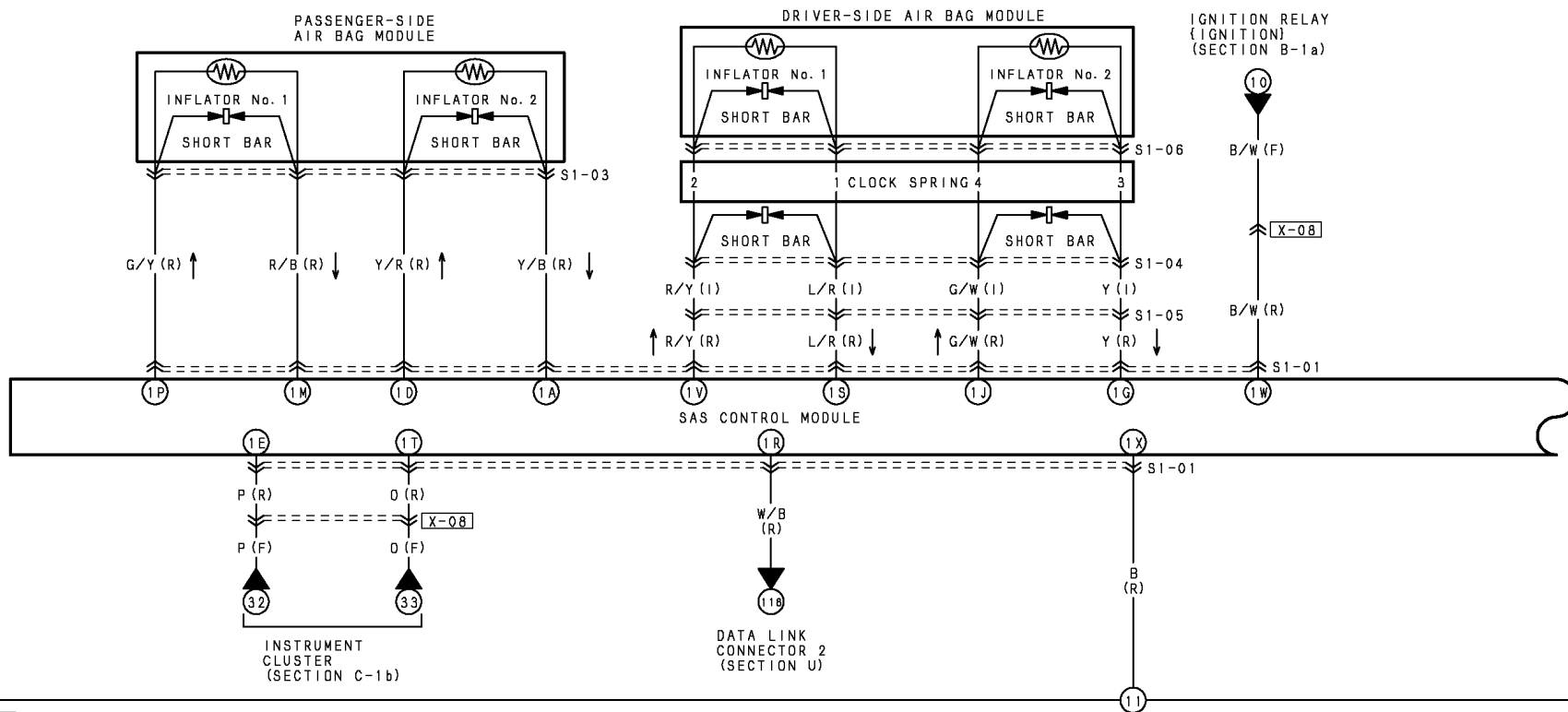
[BLACK]
SEAT WARMER
SWITCH LH
P2-02

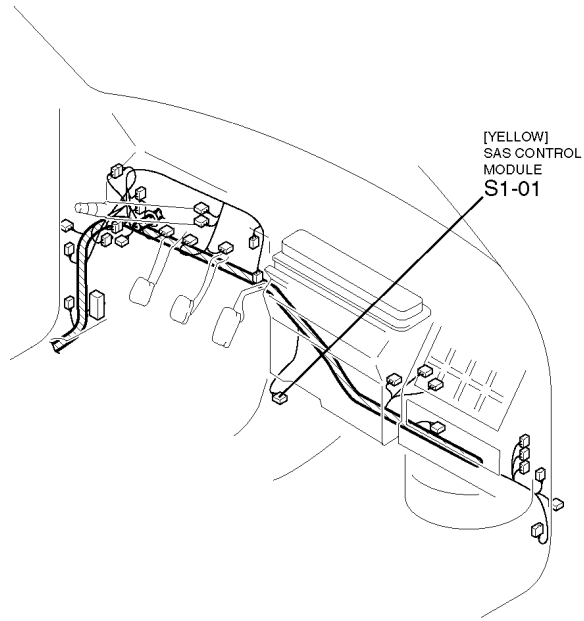
SEAT WARMER
SWITCH RH
P2-03

SEAT WARMER RH
K2-06

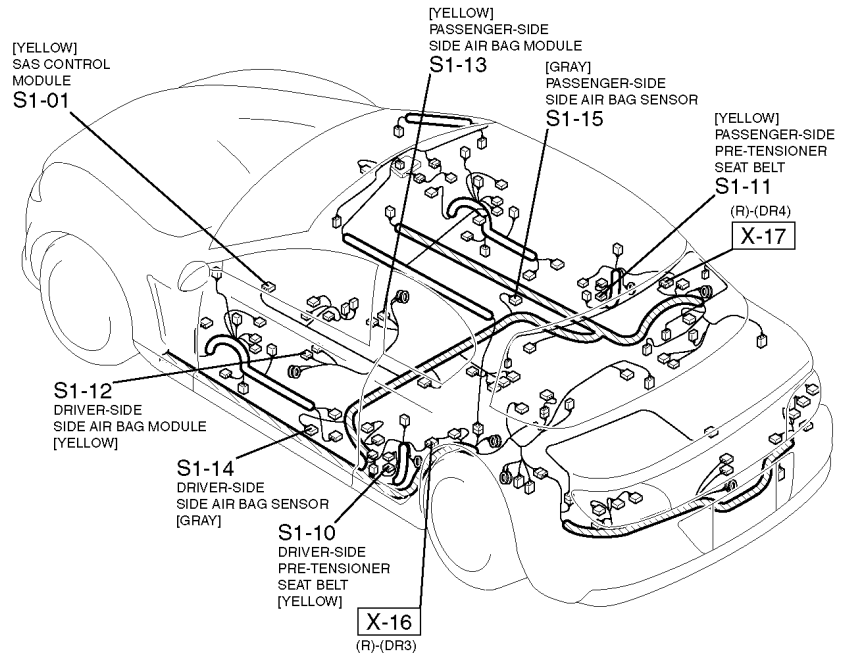
K2-05
SEAT WARMER LH

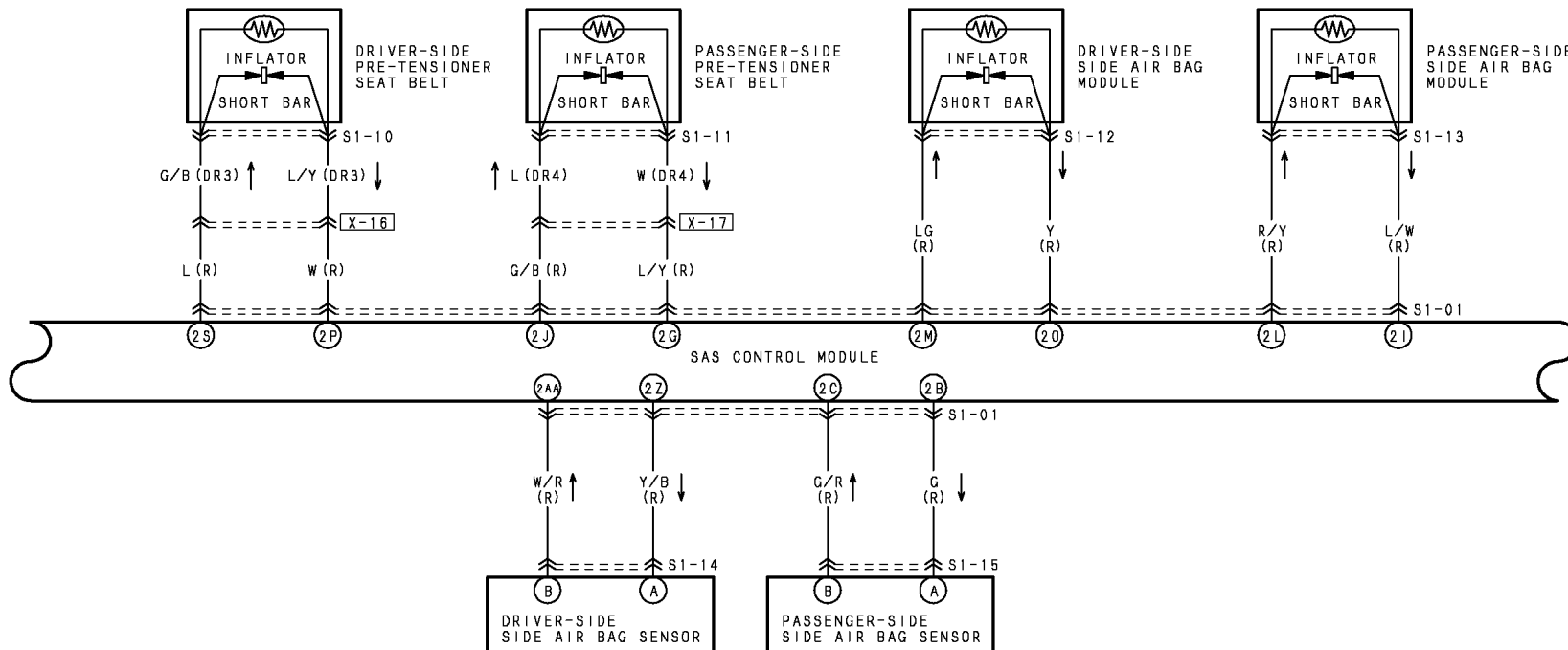




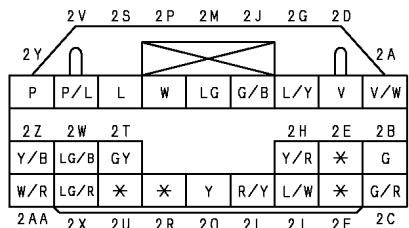


SAS CONTROL MODULE
Monitors shock level when collisions occur. Also, monitors air bag electrical system components and connections to prevent mis-operation or no operation of the air bag.

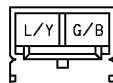




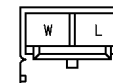
S1-01 SAS CONTROL MODULE (R)



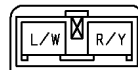
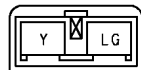
S1-10 DRIVER-SIDE PRE-TENSIONER SEAT BELT (DR3)



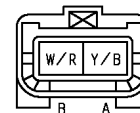
S1-11 PASSENGER-SIDE PRE-TENSIONER SEAT BELT (DR4)



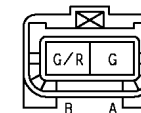
S1-12 DRIVER-SIDE SIDE AIR BAG MODULE (R) S1-13 PASSENGER-SIDE SIDE AIR BAG MODULE (R)

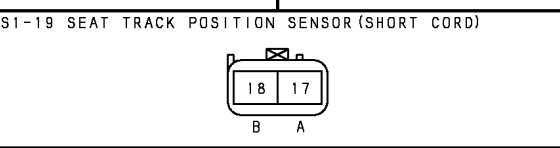
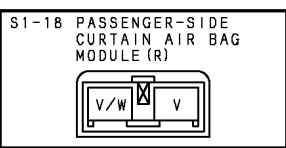
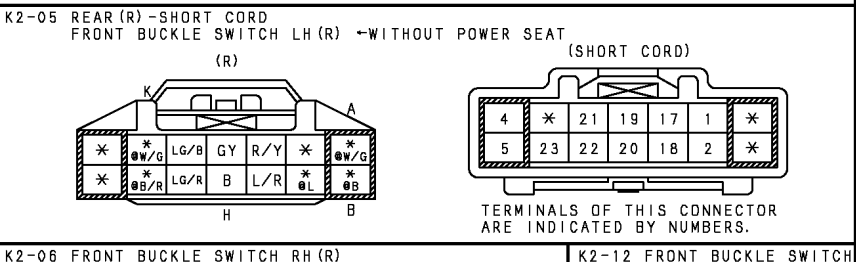
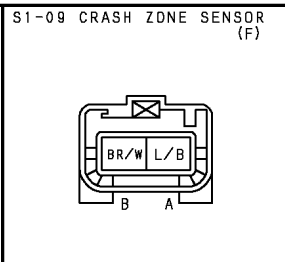
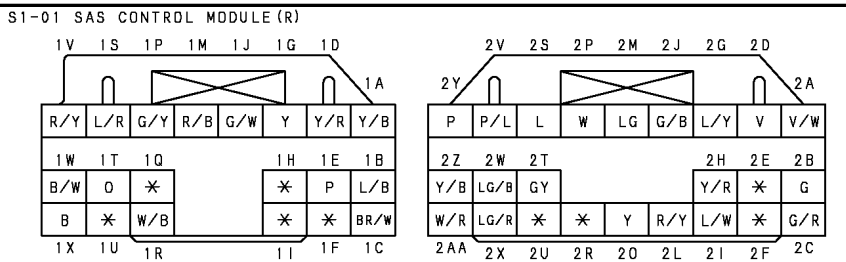
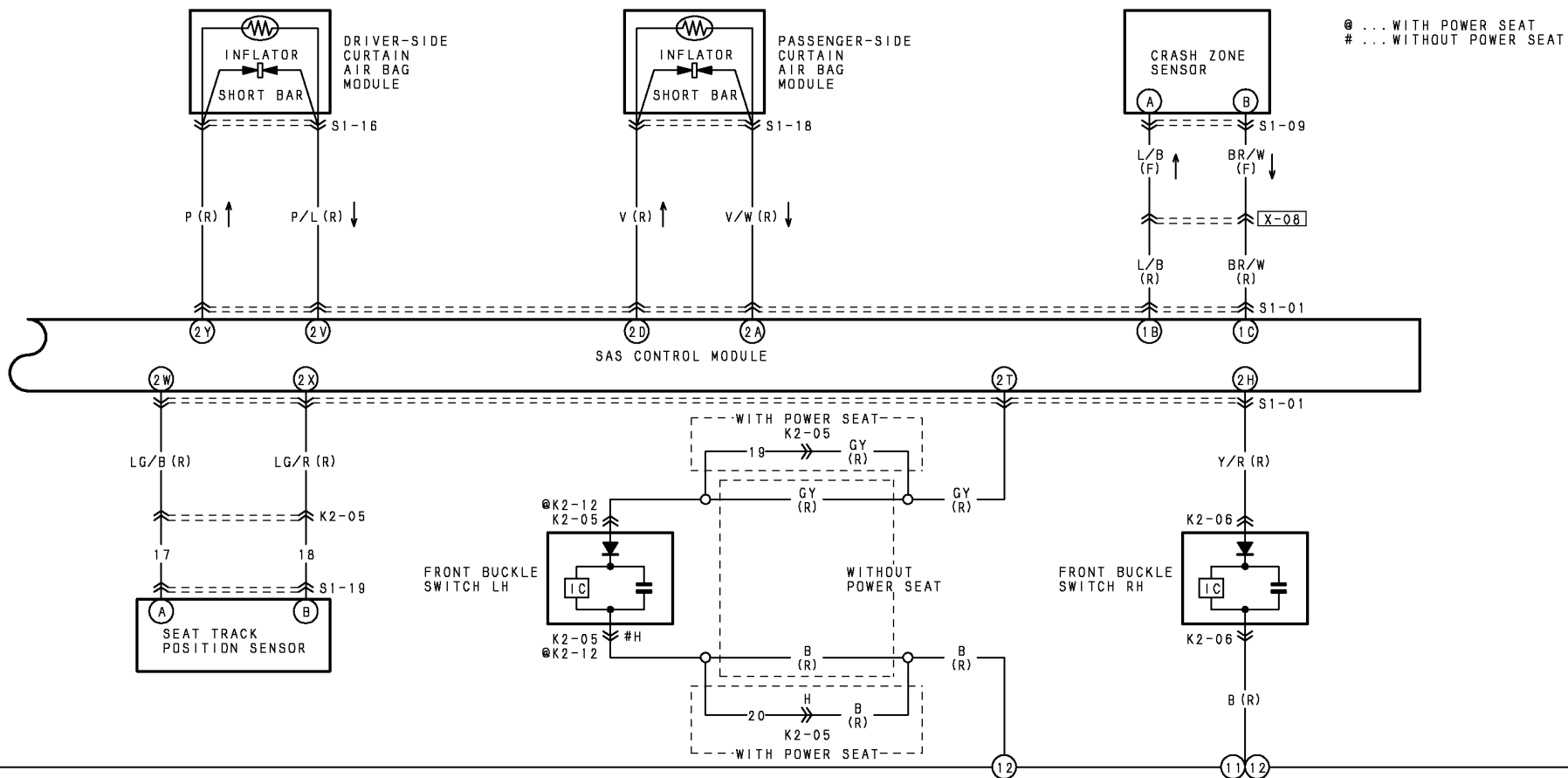


S1-14 DRIVER-SIDE SIDE AIR BAG SENSOR (R)

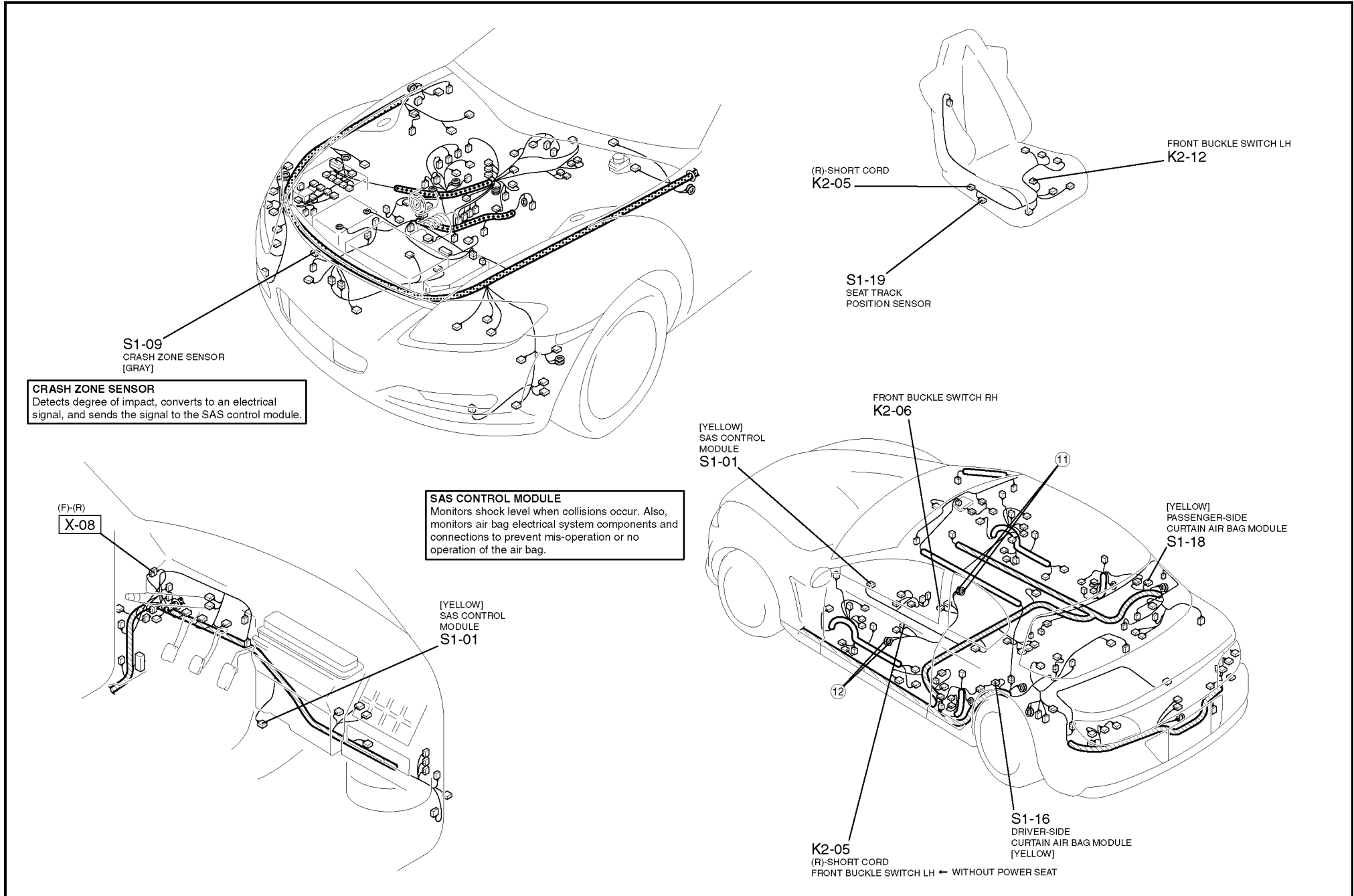


S1-15 PASSENGER-SIDE SIDE AIR BAG SENSOR (R)



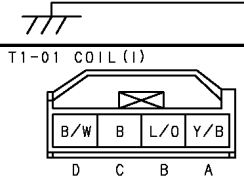
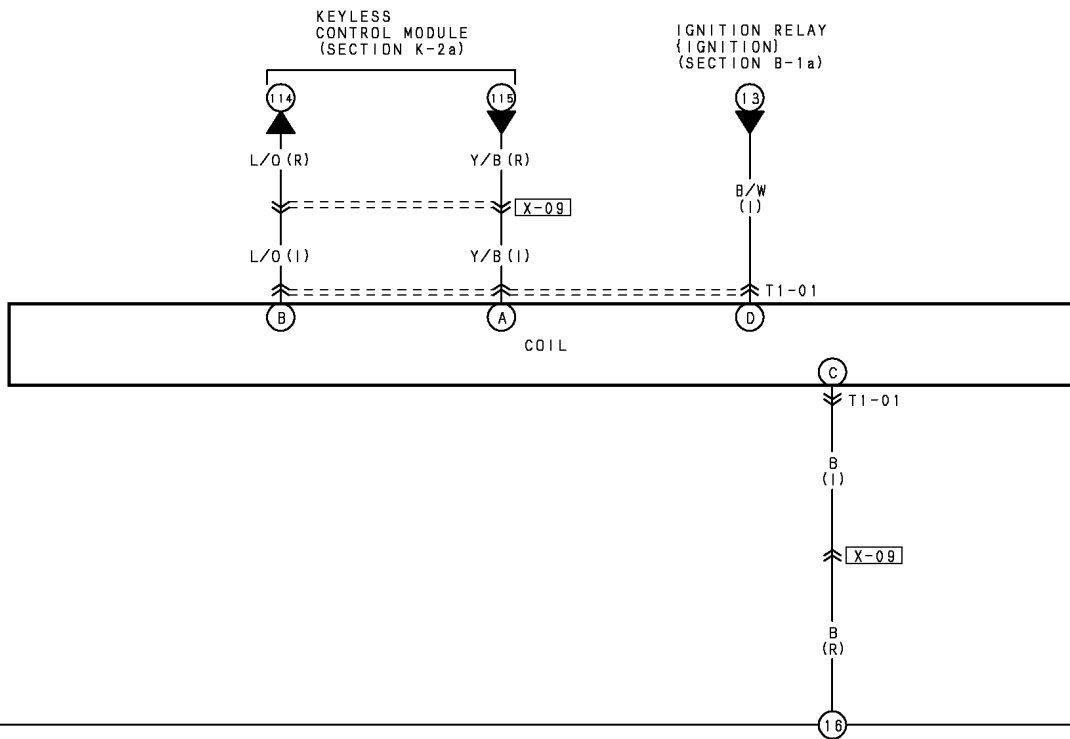


HARNESS SYMBOL:  (F)  (E)  (R)



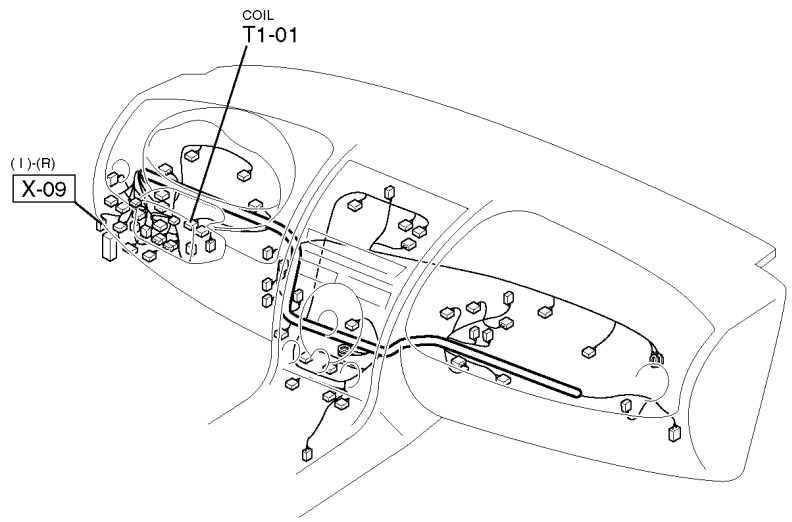
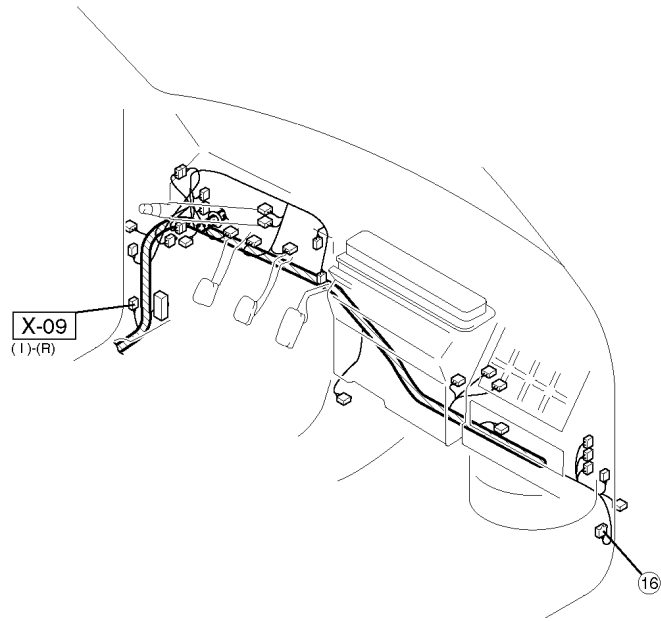
CRASH ZONE SENSOR
 Detects degree of impact, converts to an electrical signal, and sends the signal to the SAS control module.

SAS CONTROL MODULE
 Monitors shock level when collisions occur. Also, monitors air bag electrical system components and connections to prevent mis-operation or no operation of the air bag.

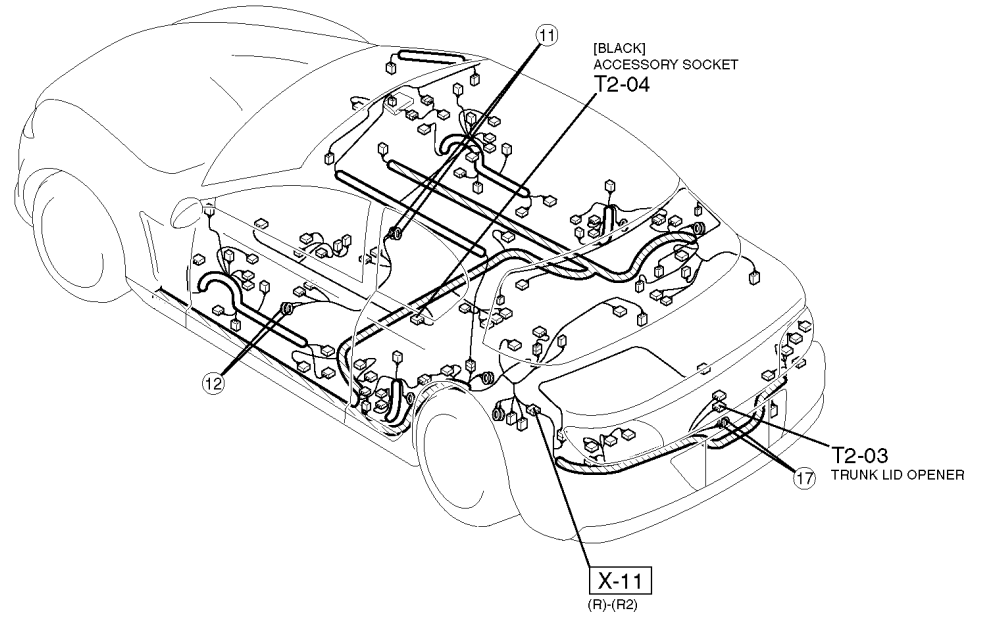
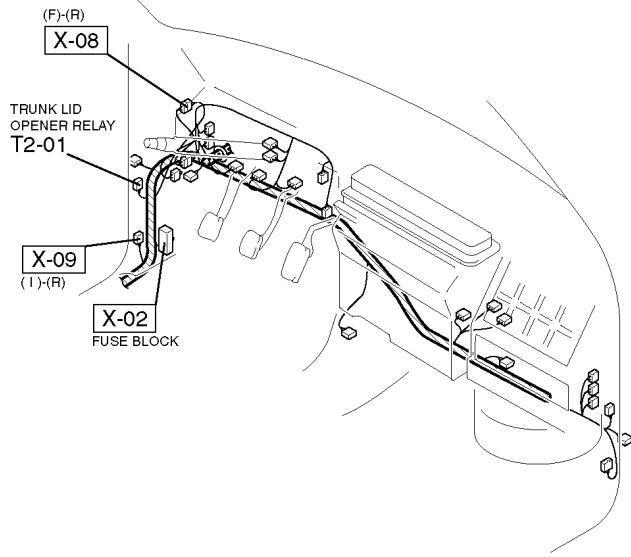
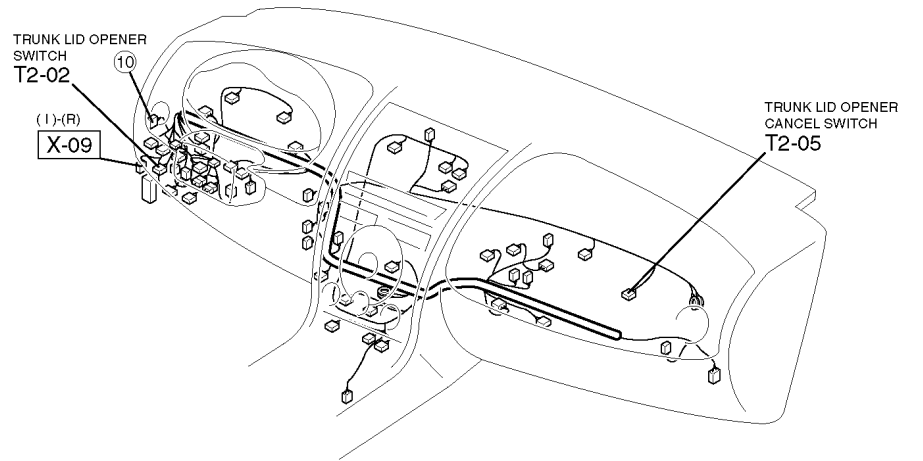
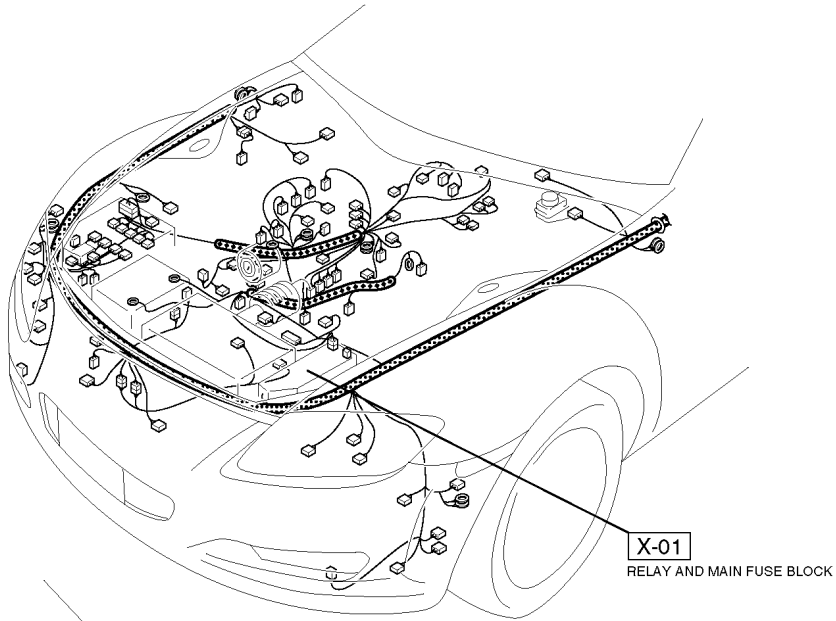


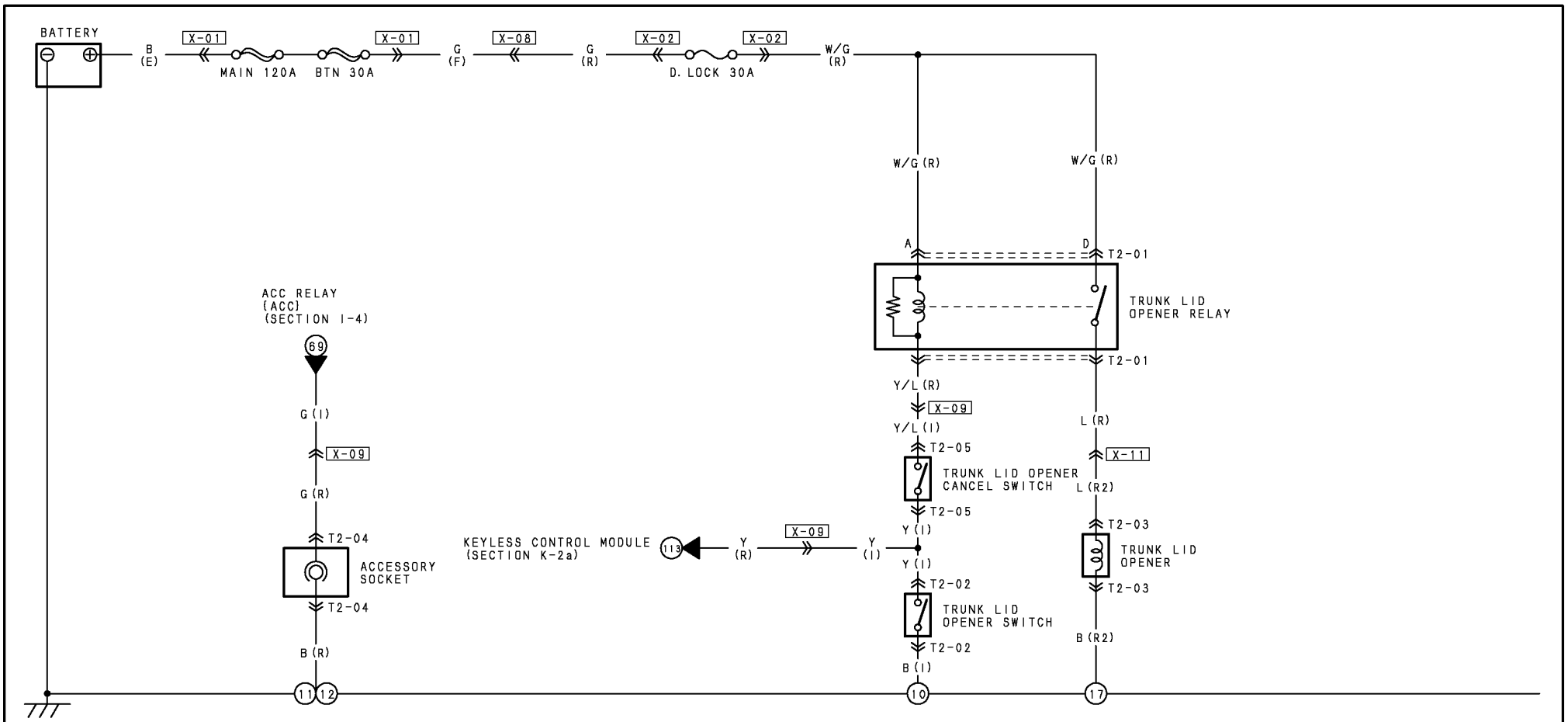
T1-01 COIL (I)						

HARNESS SYMBOL:  (F)  (E)  (R)

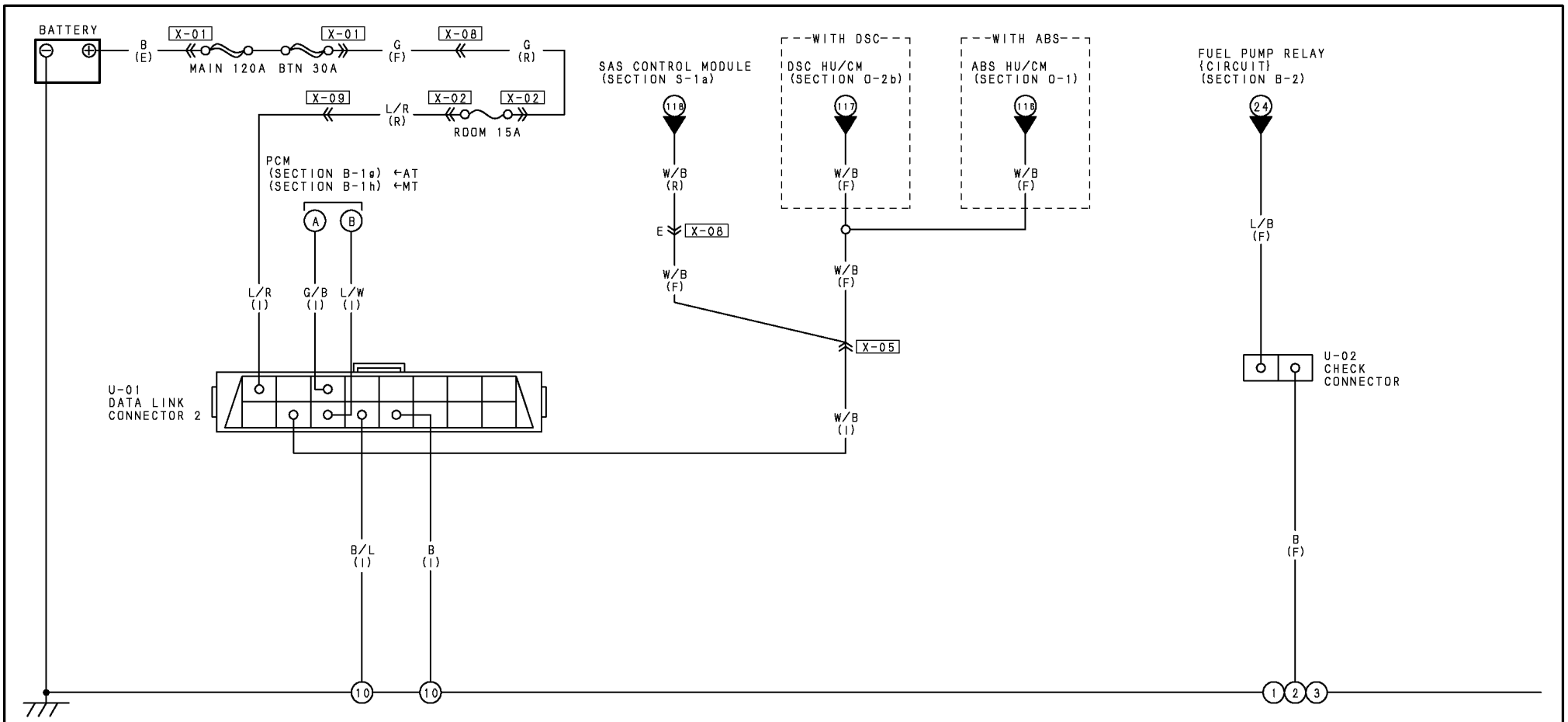


HARNESS SYMBOL:  (F)  (E)  (R)



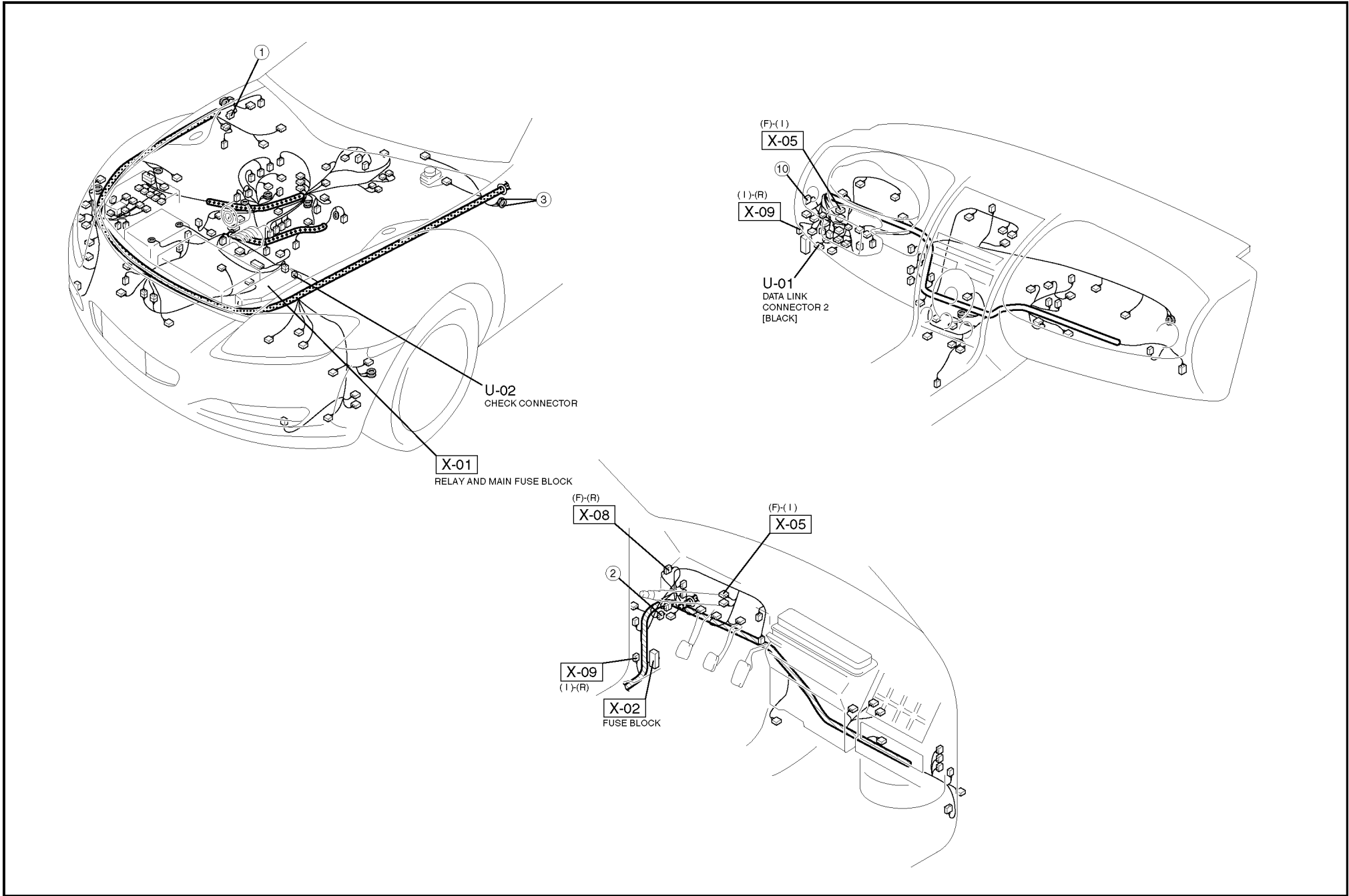


<p>T2-01 TRUNK LID OPENER RELAY (R)</p>	<p>T2-02 TRUNK LID OPENER SWITCH (I)</p>	<p>T2-03 TRUNK LID OPENER (R2)</p>	<p>T2-04 ACCESSORY SOCKET (R)</p>	<p>T2-05 TRUNK LID OPENER CANCEL SWITCH (I)</p>		



<p>U-01 DATA LINK CONNECTOR 2 (I)</p> <p>NOTE: THIS IS THE CONNECTOR AS SEEN FROM THE TERMINAL SIDE.</p>	<p>U-02 CHECK CONNECTOR (F)</p> <p>NOTE: THIS IS THE CONNECTOR AS SEEN FROM THE TERMINAL SIDE.</p>			

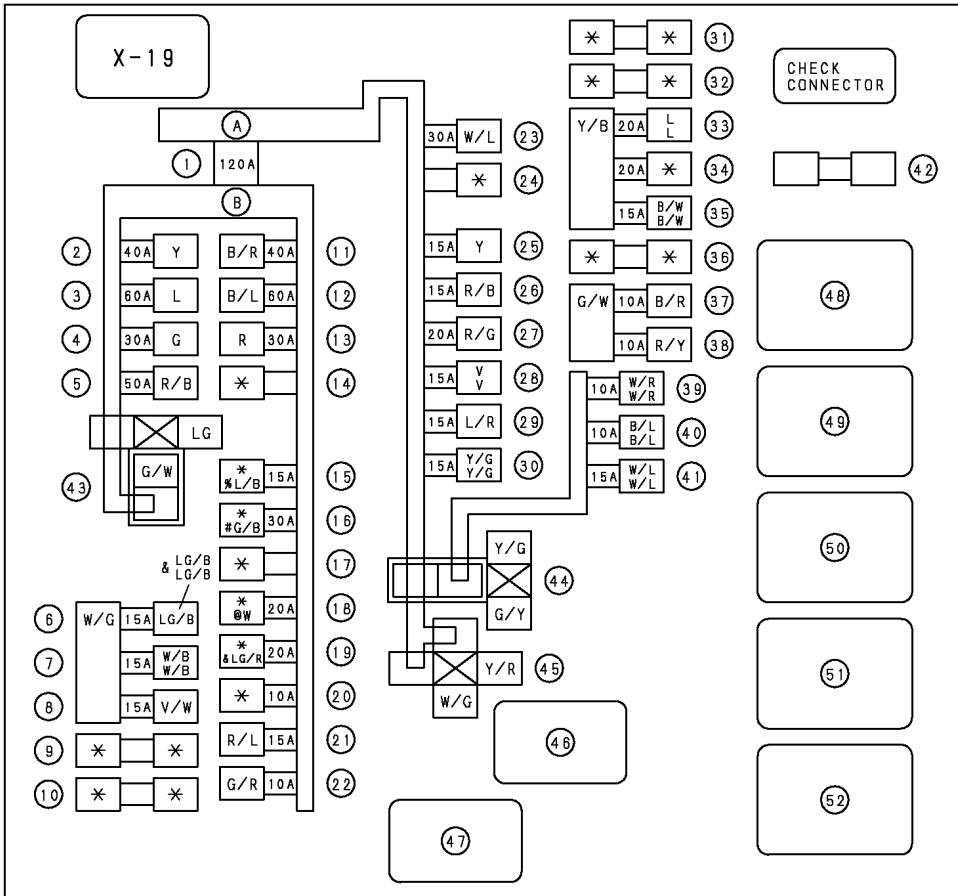
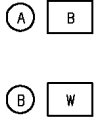
HARNESS SYMBOL:  (F)  (E)  (R)



X-01 RELAY AND MAIN FUSE BLOCK

(F)

(E)



... WITH DSC
 @ ... WITH SEAT WARMER
 % ... WITH DRL SYSTEM
 & ... WITH HEADLIGHT CLEANER SYSTEM

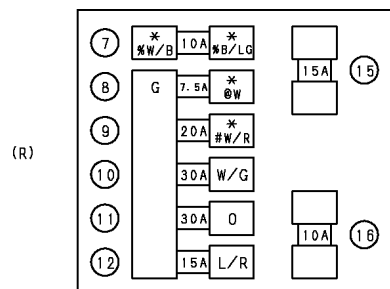
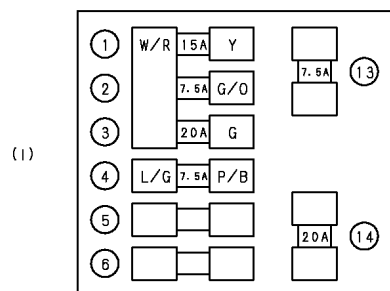
- | | | |
|---------------|--------------|---|
| ① MAIN | ②① FOG | ④① EGI INJ |
| ② HEATER | ②② A/C MAG | ④② — |
| ③ AIR PUMP | ②③ IG | ④③ TNS RELAY {TAIL} |
| ④ BTN | ②④ — | ④④ MAIN RELAY {EGI} |
| ⑤ DEFOG | ②⑤ IG KEY | ④⑤ HEADLIGHT RELAY {HEAD} |
| ⑥ HEAD | ②⑥ STOP | ④⑥ STARTER RELAY {ST} |
| ⑦ HEAD LOW R | ②⑦ FUEL PUMP | ④⑦ IGNITION RELAY {IGNITION} |
| ⑧ HEAD LOW L | ②⑧ HORN | ④⑧ ACC RELAY {ACC} |
| ⑨ — | ②⑨ HAZARD | ④⑨ HORN RELAY {HORN} |
| ⑩ — | ③⑩ ETV | ⑤⑩ FRONT FOG LIGHT RELAY {FOG} |
| ⑪ FAN | ③① — | ⑤① — |
| ⑫ ABS/DSC | ③② — | ⑤② DRIVE-BY-WIRE RELAY {ETV} |
| ⑬ ACC | ③③ WIPER | ⑤③ COOLING FAN RELAY No. 2 {COOLING FAN2} |
| ⑭ — | ③④ (P. WIND) | ⑤④ BLOWER RELAY {HEATER} |
| ⑮ (DRL) | ③⑤ ENGINE | ⑤⑤ FUEL PUMP SPEED CONTROL RELAY {HIGH PRESSURE} {FUEL} |
| ⑯ (DSC) | ③⑥ — | ⑤⑥ COOLING FAN RELAY No. 1 {COOLING FAN1} |
| ⑰ — | ③⑦ TAIL | ⑤⑦ (SEAT WARMER RELAY) {SEAT WARM} |
| ⑱ (SEAT WARM) | ③⑧ ILLUMI | ⑤⑧ FUEL PUMP RELAY {LOW PRESSURE} {CIRCUIT} |
| ⑲ (H/CLEAN) | ③⑨ EGI COMP1 | ⑤⑨ A/C RELAY {AIR COND} |
| ⑳ (R. FOG) | ④⑩ EGI COMP2 | ⑤⑩ REAR WINDOW DEFROSTER RELAY {DEFOG} |
| | | ⑤⑪ COOLING FAN RELAY No. 3 {COOLING FAN3} |



NOTE: THIS IS THE CONNECTOR AS SEEN FROM THE TERMINAL SIDE.

{ } NAME INDICATED ON FUSE BOX COVER
 () EQUIPPED ONLY WITH THE RELATED SYSTEM

X-02 FUSE BLOCK

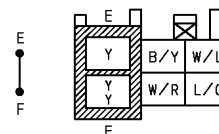


... WITH BOSE
 @ ... WITH DSC
 % ... WITH HEATED OUTER MIRROR

- ① CIGAR
- ② ACC
- ③ (PWR)
- ④ A/C
- ⑤ —
- ⑦ (M. DEF)
- ⑧ (DSC)
- ⑨ (AUDIO)
- ⑩ D. LOCK
- ⑪ P. WIND
- ⑫ ROOM
- ⑬ SPARE
- ⑭ SPARE
- ⑮ SPARE
- ⑯ SPARE

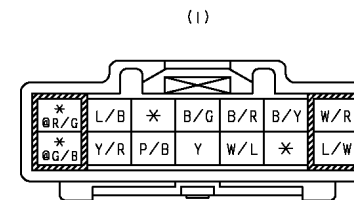
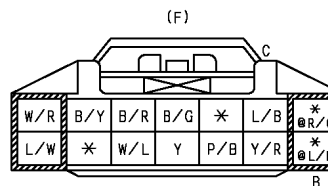
NOTE: THIS IS THE CONNECTOR AS SEEN FROM THE TERMINAL SIDE. () EQUIPPED ONLY WITH THE RELATED SYSTEM

X-04 IGNITION SWITCH (I)

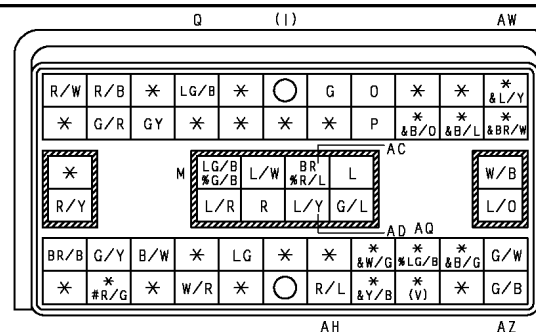
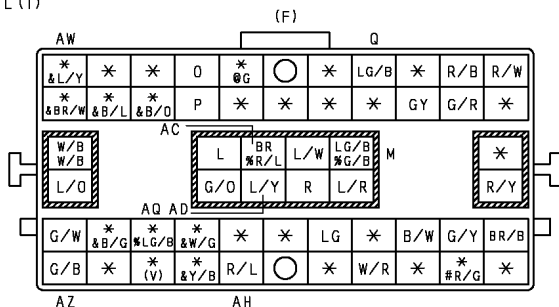


X-06 FRONT (F) - INSTRUMENT PANEL (I)

@ ... WITH DRL SYSTEM

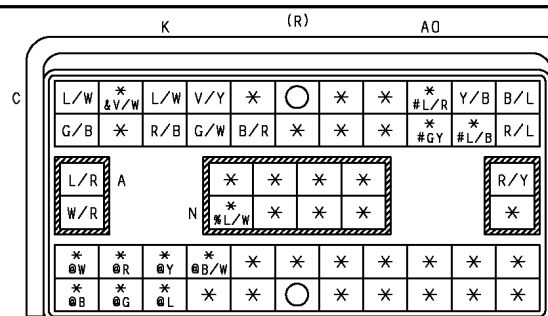
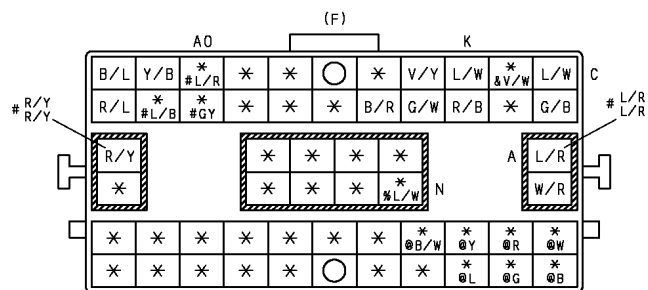


X-05 FRONT (F) - INSTRUMENT PANEL (I)



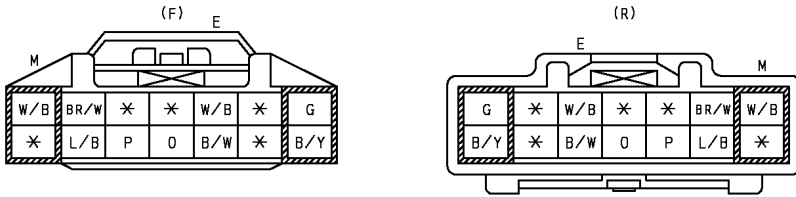
... WITH DSC
 @ ... AT
 % ... WITH DRL SYSTEM
 & ... WITH HEADLIGHT AUTO LEVELING SYSTEM
 () ... WITH HEADLIGHT CLEANER SYSTEM

X-07 FRONT (F) - REAR (R)



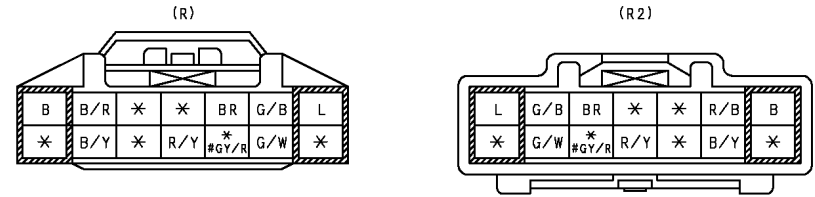
... AT
 & ... WITH THEFT-DETERRENT SYSTEM
 % ... WITH SEAT WARMER
 @ ... WITH DSC

X-08 FRONT (F) - REAR (R)

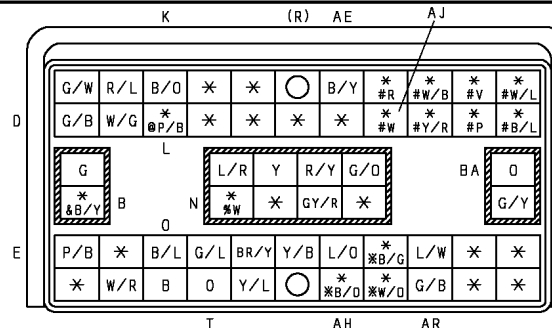
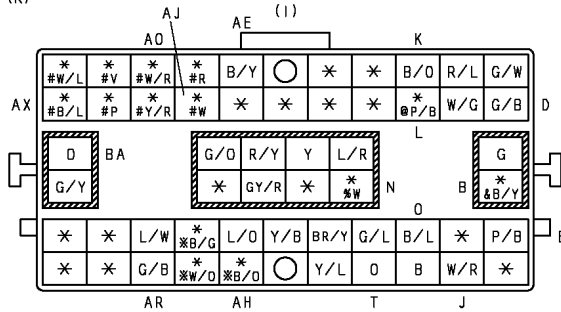


X-11 REAR (R) - REAR No. 2 (R2)

... WITH THEFT-DETERRENT SYSTEM

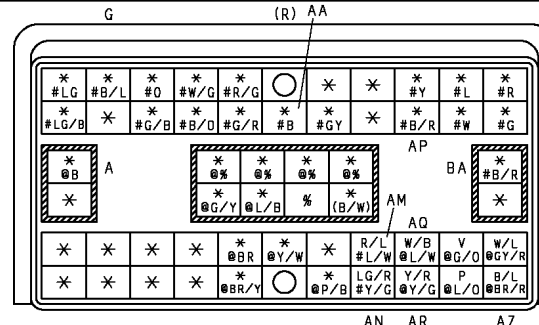
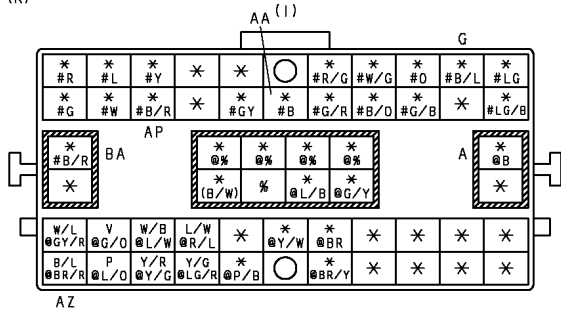


X-09 INSTRUMENT PANEL (I) - REAR (R)



... WITHOUT CAR-NAVIGATION SYSTEM AND BOSE
 @ ... WITH SLIDING SUNROOF
 % ... WITH DSC
 & ... WITH BOSE
 * ... WITH HEADLIGHT AUTO LEVELING SYSTEM

X-10 INSTRUMENT PANEL (I) - REAR (R)



... WITH CAR-NAVIGATION SYSTEM
 @ ... WITH BOSE
 () ... WITH CAR-NAVIGATION SYSTEM AND BOSE
 % ... BARE WIRE

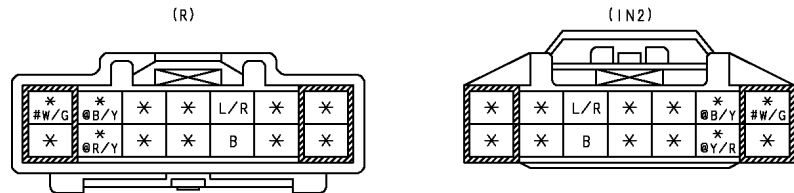
X-12 REAR (R) - INTERIOR LIGHT (IN)

... WITH SLIDING SUNROOF

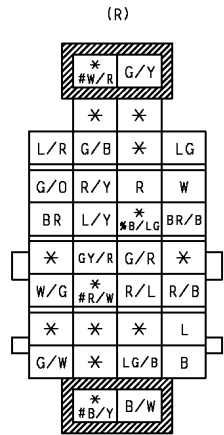


X-13 REAR (R) - INTERIOR LIGHT No. 2 (IN2)

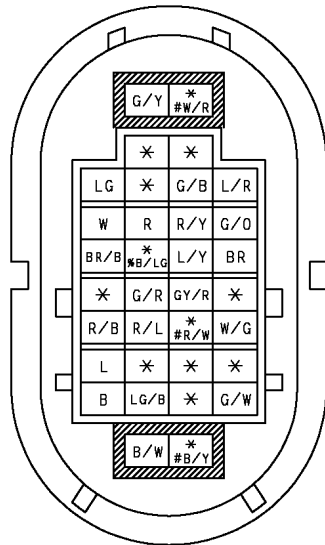
@ ... WITH DIMMER MIRROR
 # ... WITH SLIDING SUNROOF (IN2)



X-14 REAR (R) - DDDR No. 1 (DR1)

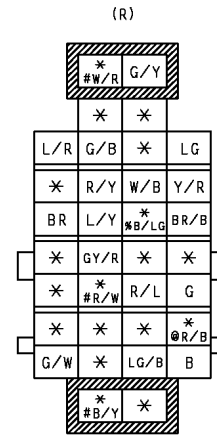


(DR1)

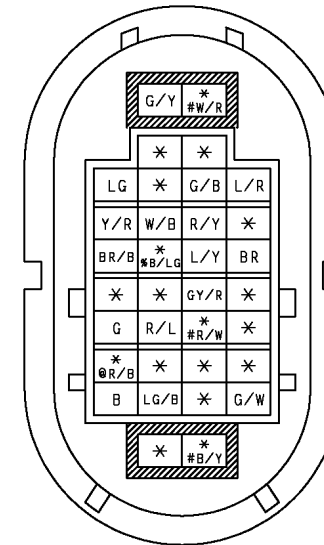


* ... WITH HEATED
OUTER MIRROR
... WITH BOSE

X-15 REAR (R) - DOOR No. 2 (DR2)

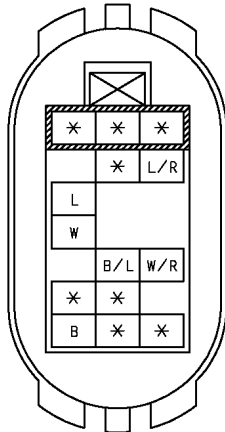


(DR2)

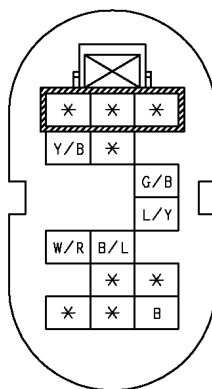


* ... WITH HEATED
OUTER MIRROR
... WITH BOSE
@ ... WITH THEFT-DETERRENT
SYSTEM

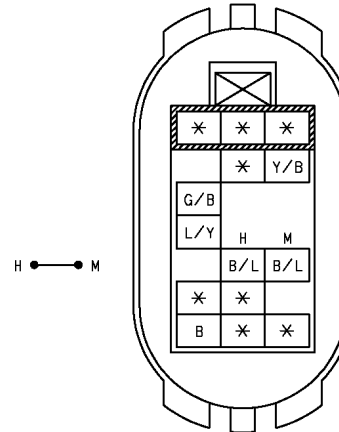
X-16 REAR (R) - DOOR No. 3 (DR3) (R)



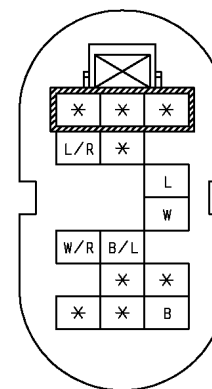
(DR3)



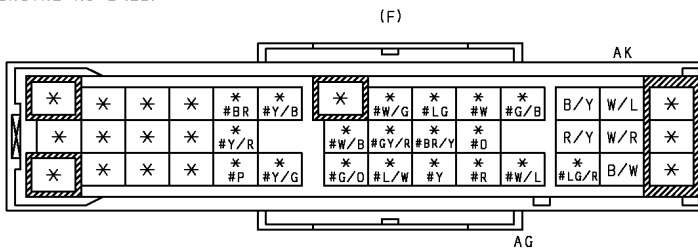
X-17 REAR (R) - DOOR No. 4 (DR4) (R)



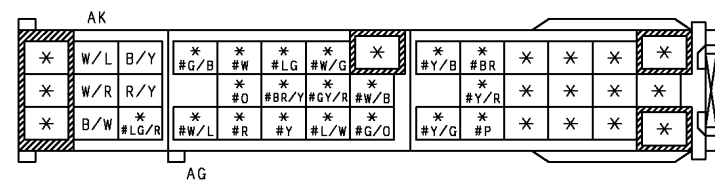
(DR4)



X-18 FRONT (F) - ENGINE No. 2 (E2)

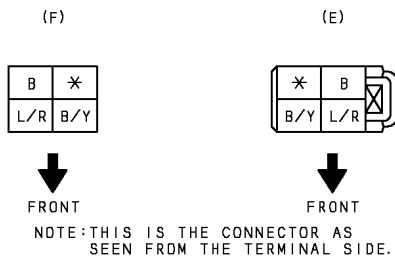


(E2)



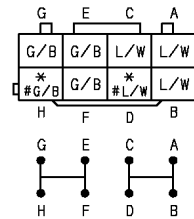
... AT

X-19 FRONT (F) -ENGINE (E)

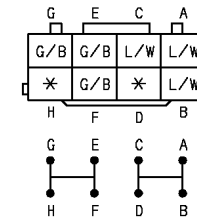


X-20 JOINT CONNECTOR (F)

... AT

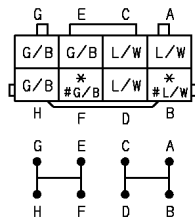


X-21 JOINT CONNECTOR (F)



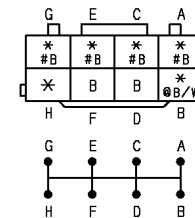
X-22 JOINT CONNECTOR (I)

... WITH DSC



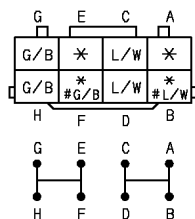
X-23 JOINT CONNECTOR (I)

... WITH BOSE
 @ ... WITH CAR-NAVIGATION SYSTEM
 WITH BOSE



X-24 JOINT CONNECTOR (I)

... WITH TPMS



X-25 JOINT CONNECTOR (R)

